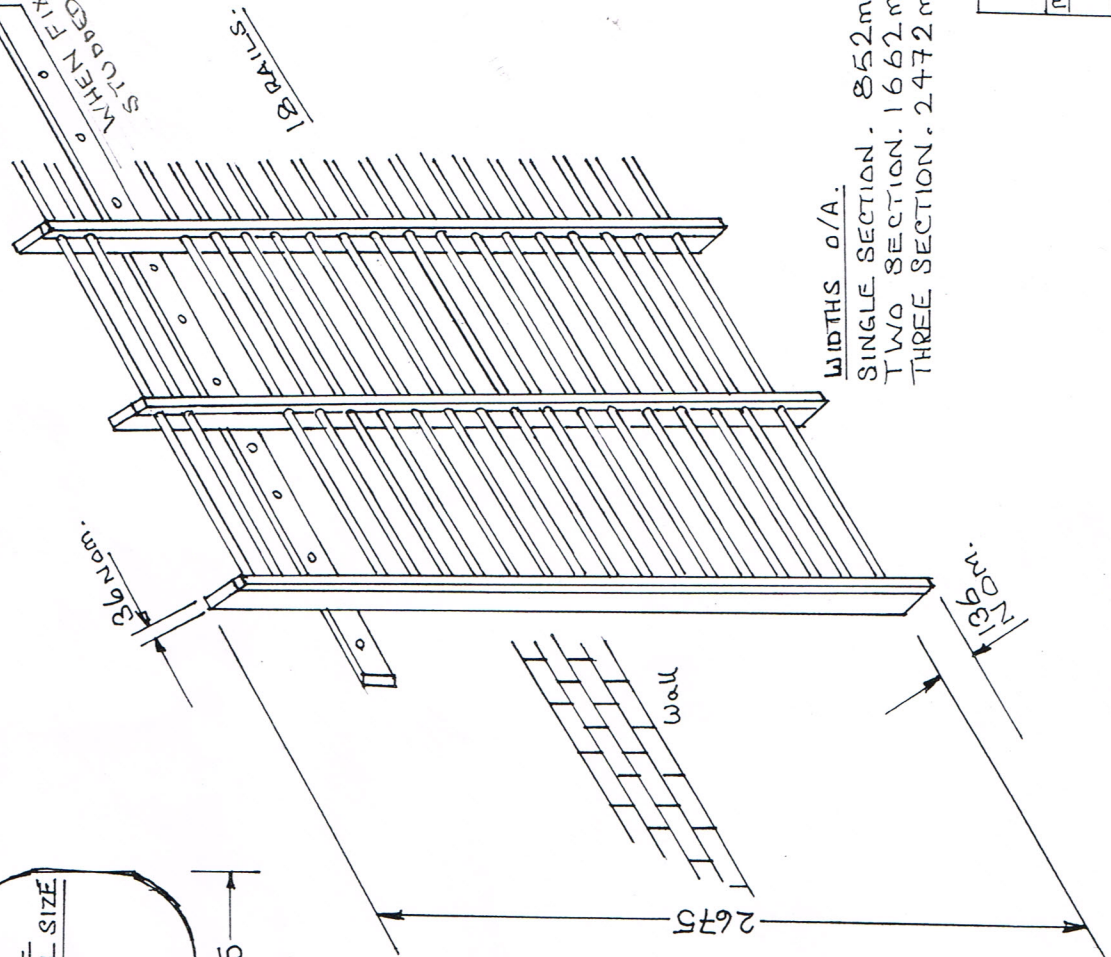
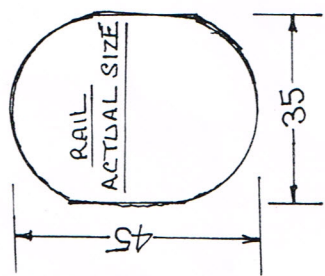
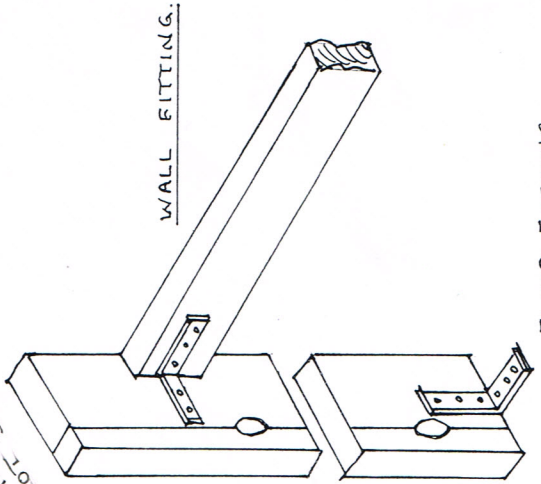


FOR INFORMATION PURPOSES ONLY.
DO NOT SCALE.

OR (NOT SUPPLIED) TO PARTITION OR (NOT SUPPLIED) TO PARTITION OR



WIDTHS o/a.
SINGLE SECTION. 852mm.
TWO SECTION. 1662mm.
THREE SECTION. 2472mm.



NB. CARE MUST BE TAKEN TO ENSURE THAT THE SUBSTRATE TO WHICH THE WALL BARS ARE FIXED IS CAPABLE OF WITHSTANDING THE STATIC & DYNAMIC LOADS TO BE IMPOSED & THAT SUITABLE FIXINGS ARE CHOSEN TO SUIT THE PARTICULAR SUBSTRATE. ON BRICK OR BLOCKWORK THE TIMBER WALL BATTEN MAY BE DISPENSED WITH.

G. SHAW & SONS	
TITLE: STANDARD WALL BAR	
MAT'L: Parana Pine	DRG: G.S.
FINISH: Hard Lacquer	DATE: 13-08-01
	SCALE
	SHEET