

Aquatec® ORCA / ORCA F / ORCA XL



en	Bath lift User Manual	3
de	Badewannenlifter Gebrauchsanweisung	31
fr	Élévateur de bain Manuel d'utilisation	63
it	Sollevatore da vasca Manuale d'uso	97
es	Elevador de bañera Manual del usuario	129
pt	Elevador de banheira Manual de utilização	159
nl	Badlift Gebruiksaanwijzing	191
da	Badekarslift Brugsanvisning	221
no	Badekarheis Bruksanvisning	249
sv	Badkarslyft Bruksanvisning	277
cs	Vanový zvedák Návod k obsluze	305



This manual **MUST** be given to the user of the product.
BEFORE using this product, read this manual and save for future reference.

AQUATEC®



Yes, you can.

©2018 Invacare Corporation

All rights reserved. Reproduction, duplication or modification in whole or in part is prohibited without prior written permission from Invacare. Trademarks are identified by ™ and ®. All trademarks are owned by or licensed to Invacare Corporation or its subsidiaries unless otherwise noted.

Contents

This manual MUST be given to the user of the product.
BEFORE using this product, read this manual and save for future reference.

1 General	4
1.1 Introduction	4
1.2 Symbols in this manual	4
1.3 Warranty	4
1.4 Compliance	5
1.4.1 Product-specific standards	5
1.5 Intended use	5
1.6 Service life	5
2 Safety	6
2.1 Safety information	6
2.2 Safety information on electromagnetic compatibility	7
2.3 Labels and symbols on the product	7
3 Setup	9
3.1 Safety information	9
3.2 Scope of delivery	9
3.3 Setting up the bath lift	10
3.4 Charging the battery	13
4 Usage	15
4.1 Safety information	15
4.2 Controlling the bath lift	15
4.3 Bathing	16
5 Transport	18
5.1 Safety information	18
5.2 Removing the bath lift	18
6 Maintenance	20
6.1 Servicing and inspection	20
6.2 Cleaning and disinfection	20

7 After Use	22
7.1 Storage	22
7.2 Re-use	22
7.3 Disposal	22
8 Troubleshooting	23
8.1 Identifying and repairing faults	23
9 Technical Data	25
9.1 Dimensions and weight	25
9.2 Electronic data	25
9.3 Materials	26
9.4 Environmental Parameters	26
10 Electromagnetic compatibility (EMC)	27
10.1 General EMC information	27
10.2 Electromagnetic emission	27
10.3 Electromagnetic Immunity	28

1 General

1.1 Introduction

This user manual contains important information about the handling of the product. To ensure safety when using the product, read the user manual carefully and follow the safety instructions.

Note that there may be sections in this document, which are not relevant to your product, since this document applies to all available models (on the date of printing). If not otherwise stated, each section in this document refers to all models of the product.

The models and configurations available in your country can be found in the country-specific price lists.

Invacare reserves the right to alter product specifications without further notice.

Before reading this document, make sure you have the latest version. You find the latest version as a PDF on the Invacare website.

If you find that the font size in the printed document is difficult to read, you can download the PDF version from the website. The PDF can then be scaled on screen to a font size that is more comfortable for you.

For more information about the product, for example product safety notices and product recalls, contact your Invacare representative. See addresses at the end of this document.

1.2 Symbols in this manual

Symbols and signal words are used in this manual and apply to hazards or unsafe practices which could result in personal injury or property damage. See the information below for definitions of the signal words.



WARNING

Indicates a hazardous situation that could result in serious injury or death if it is not avoided.



CAUTION

Indicates a hazardous situation that could result in minor or slight injury if it is not avoided.



IMPORTANT

Indicates a hazardous situation that could result in damage to property if it is not avoided.



Tips and Recommendations

Gives useful tips, recommendations and information for efficient, trouble-free use.



This product complies with Directive 93/42/EEC concerning medical devices. The launch date of this product is stated in the CE declaration of conformity.



Manufacturer of the product.

1.3 Warranty

We provide a manufacturer's warranty for the product in accordance with our General Terms and Conditions of Business in the respective countries. Warranty claims

can only be made through the provider from whom the appliance was obtained.

Covers and suction cups are excluded from this warranty.

1.4 Compliance

Quality is fundamental to the company's operation, working within the disciplines of ISO 13485.

This product features the CE mark, in compliance with the Medical Device Directive 93/42/EEC Class 1.

We are continuously working towards ensuring that the company's impact on the environment, locally and globally, is reduced to a minimum.

We only use REACH compliant materials and components.

We comply with the current environmental legislations WEEE and RoHS.

1.4.1 Product-specific standards

The product meets the requirements of the standard ISO 10535 (Hoists for the transfer of disabled persons).

For further information please contact Invacare in your country (for addresses, see end of this document).

1.5 Intended use

Bath lifts facilitate respectively allow entering and exiting the bathtub. They are intended solely as a bathing aid for people with reduced mobility. Any other use is prohibited.

Indications

- Significant reduction in function / missing functionality of the upper and/or lower extremities (such as amputations, paralysis, joint disorders, neuromuscular disorders with impairment of the extremities), when an independent entering and exiting from the bathtub respectively sitting down and getting up is no longer possible; Trunk control and basic functional capability of the extremities must still be sufficient.
- Chronic consequences of illness with functional limitations of the upper and/or lower extremities, that no longer permit an independent bathing, however when a largely independent bathing is possible by the use of the bath lift and other bathing aids for compensating the disability are not sufficient.

Contraindications

There are no contraindications associated with proper use.

1.6 Service life

The expected service life of this product is five years when used daily and in accordance with the safety instructions, maintenance intervals and correct use, stated in this manual. The effective service life can vary according to frequency and intensity of use.

2 Safety

2.1 Safety information



WARNING!

- Do not use this product or any available optional equipment without first completely reading and understanding these instructions and any additional instructional material such as user manuals, service manuals or instruction sheets supplied with this product or optional equipment. Invacare product manuals are available on the internet or at your local dealer (Addresses are displayed on the back cover of this manual).
- If you are unable to understand the warnings, cautions or instructions, please contact a healthcare professional, dealer or technical personnel before attempting to use this equipment – otherwise, injury or damage may occur.



WARNING!

Risk of injury

- Do not use if defective.
- In the event of a malfunction, contact your dealer immediately.
- Do not make any unauthorized changes or alterations to the product.
- Only use spare parts intended for this product.



WARNING!

Risk of injury

- Never stand on the bath lift to get into or out of the bathtub, do not use it for climbing or descending, as a lifting platform or for any similar purpose.



IMPORTANT!

- The information contained in this document is subject to change without notice.
- Check all parts for shipping damage and test before using.

2.2 Safety information on electromagnetic compatibility



WARNING!

Risk of malfunction due to electromagnetic interference

Electromagnetic interference between this product and other electrical equipment can occur and disturb the electrical adjustment functions of this product. To prevent, reduce or eliminate such electromagnetic interference:

- Only use original cables, accessories and spare parts, to not increase electromagnetic emission or reduce electromagnetic immunity of this product.
- Do not use portable radio frequency (RF) communications equipment closer than 30 cm to any part of this product (including cables).
- Do not use this product near active high-frequency surgical equipment and the RF shielded room of a system for magnetic resonance imaging, where the intensity of electromagnetic disturbances is high.
- If disturbances occur, increase the distance between this product and the other equipment or switch it off.
- Refer to the detailed information and follow the guidance in chapter 10 *Electromagnetic compatibility (EMC)*, page 27.



WARNING!

Risk of malfunction

Electromagnetic interference may cause improper operation.

- Do not use this product adjacent to or stacked with other electrical equipment. If such use is necessary this product and the other equipment must be closely observed to verify that they are operating normally.

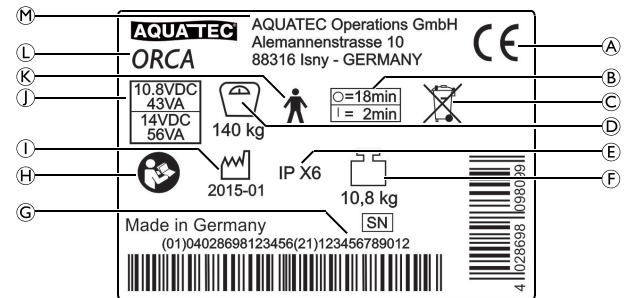


We are not aware of any risk when using products like a cardiac pacemaker.

2.3 Labels and symbols on the product

Identification label

The identification label contains important information:



Ⓐ	Conformity mark
Ⓑ	Interval of use (continuous operation of the engine is not allowed): max. 2 minutes continuous use followed by a 18 minute break
Ⓒ	Note (disposal)
Ⓓ	Maximum user weight
Ⓔ	Type of protection
Ⓕ	Product weight
Ⓖ	Serial number
Ⓗ	Read user manual
Ⓘ	Production date
Ⓝ	Nominal voltage/ rated power, see <i>9.2 Electronic data, page 25</i>
Ⓚ	Type B applied part
Ⓛ	Product designation
Ⓜ	Manufacturer



The identification label is applied to the back of the backrest.

3 Setup

3.1 Safety information

! IMPORTANT!

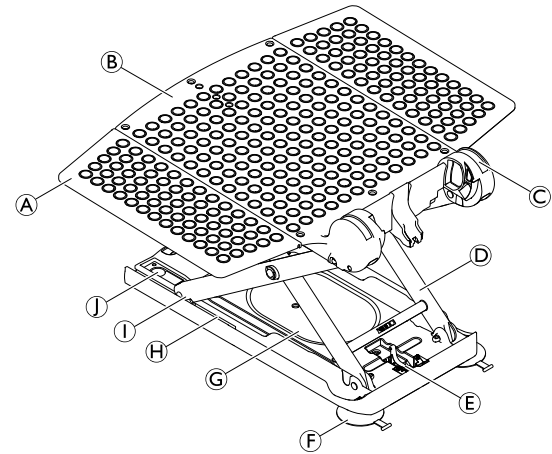
- Check the parts for transport damage before commissioning and contact the dealer if required.
- Ensure during assembly that the parts are positioned correctly with respect to one another.
- It is recommended to wash the covers before first use, see chapter 6.2 *Cleaning and disinfection*, page 20.

3.2 Scope of delivery

This user manual refers to the models ORCA, ORCA F and ORCA XL. These Models differ in weight and the maximum user weight, see section 9.1 *Dimensions and weight*, page 25. A seat- and backrest cover is optionally available for all three models. The backrest cannot be lowered on model ORCA F.

The following components are included within the scope of delivery:

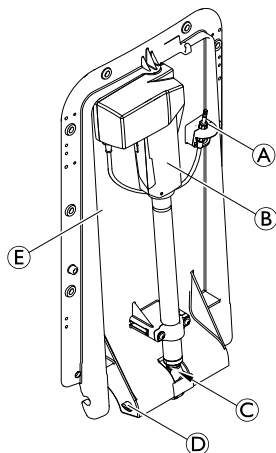
Seat



(A)	Side flap
(B)	Seat plate
(C)	Hinge for backrest
(D)	Lifting scissors
(E)	Spindle foot retainer
(F)	Rear suction cups (two tabs with thread)
(G)	Base plate
(H)	Guide for the sliding shoe

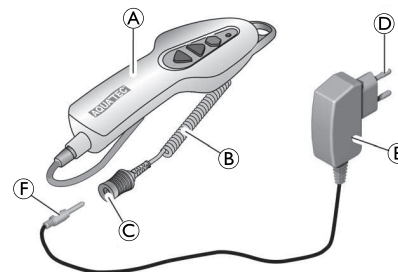
①	Sliding shoe
①	Front suction cups (one tab with head)

Backrest



Ⓐ	Jack plug
Ⓑ	Drive
Ⓒ	Spindle foot
Ⓓ	Locking pin
Ⓔ	Plate, backrest

Hand control and charger



Ⓐ	Hand control with battery
Ⓑ	Hand control spiral cable
Ⓒ	Jack socket of hand control
Ⓓ	Mains plug
Ⓔ	Charger
Ⓕ	Jack plug of charger

3.3 Setting up the bath lift



WARNING!

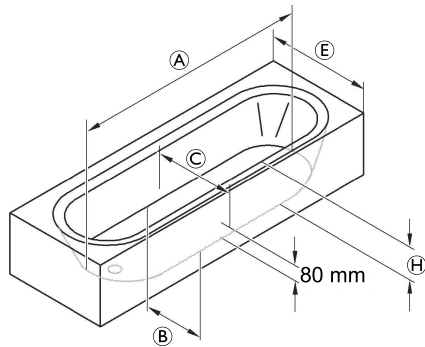
Risk of slipping

The bath lift can slip if the suction cups do not have a good hold.

- Clean the bathtub and the suction cups with a damp cloth before setting up the bath lift.
- Do not change the position of the bath lift in the bathtub once it is set up.

**WARNING!****Risk of injury and damage!**

- Only set up the bath lift in bathtubs that comply with the specifications of the following table.
- If a lateral overflow is present in the bath tub, use the special side flaps (available as an accessory).

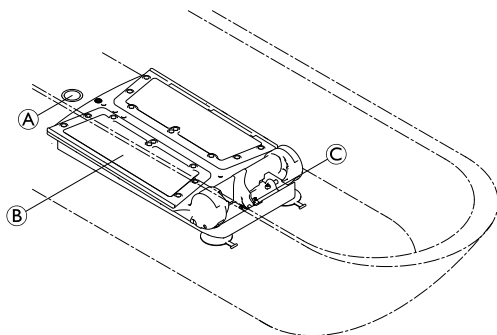


Ⓐ	Tub length, bottom	≥ 800 mm
Ⓑ	Tub width, bottom (inside)	≥ 280 mm
Ⓒ	Tub width, at 80 mm height (inside)	≥ 430 mm

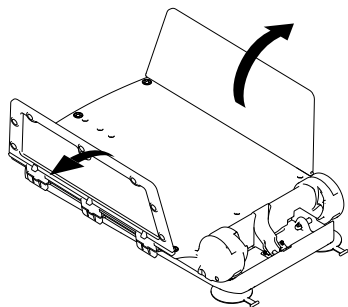
Ⓔ	Tub width (outside)	580 - 690 mm (with special side flaps) 700 - 740 mm (with standard side flaps) 750 - 1000 mm (with special side flaps)
Ⓕ	Tub height (inside)	≤ 420 mm (with height adapter, max. + 60 mm)

**IMPORTANT!**

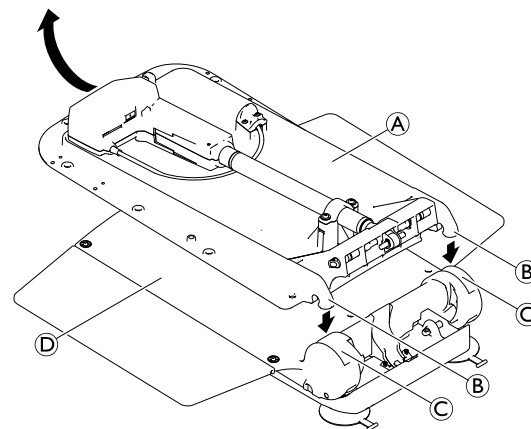
- Ensure that the suction cups are mounted properly.
- Ensure that the battery in the hand control is charged.
- Ensure that the spindle foot is fully inserted.
- When lifting bath lift components, remember to correctly assess the weights, see section 9.1 *Dimensions and weight*, page 25.
- If a handrail is mounted at the inside of the bathtub, use the side flap diverters (available as an accessory).
- Fold the side flaps outwards before folding up the backrest.



1. Place the seat ② on the bottom of the empty bathtub. Ensure that the spindle foot retainer ③ is pointing towards the end of the bathtub opposite the drain ①.



2. Fold the side flaps of the seat outwards.



3. Place the backrest ① (without the hand control) onto the seat so that the hooks ② of the backrest fit into the hinges ③ of the seat plate ④.

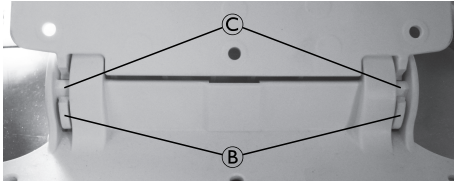


IMPORTANT!

Risk of damage

Damage to the product caused by the spindle foot slipping out.

- Make sure that the spindle is fully retracted and the spindle foot is level and not twisted, before folding up the backrest.
- Once the backrest is folded up, ensure that the spindle foot is in the spindle foot retainer.

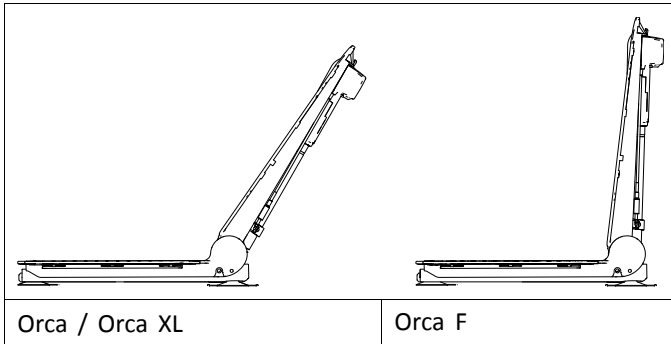


IMPORTANT!

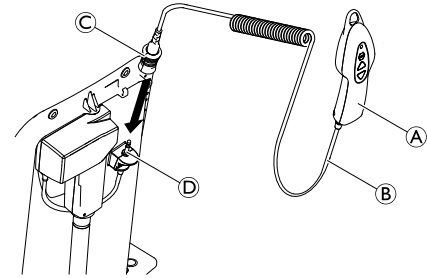
Risk of damage

Damage to the product due to incorrect assembly of the backrest.

- Make sure that both hooks **B** of the backrest engage into the hinges **C** of the seat plate.
- Make sure that the backrest is folded up to the end position without exerting force and noticeable resistance. The end position is indicated in the following graphic.



4. Hold the backrest at the center of the head end and carefully fold it up to the end position.



5. Plug the jack socket with the unlocking sleeve **C** on the spiral cable **B** of the hand control **A** to the jack plug **D** until the locking mechanism engages noticeably.



IMPORTANT!

Risk of damage

- Make sure that the backrest doesn't touch the bath tub edge.
- Place the bath lift further forwards in the bath tub, if necessary. To place the bath lift further forwards in the bath tub lower the bath lift to the bottom, loosen the suction cups and then move the bath lift.

3.4 Charging the battery

The bath lift cannot be used when the battery is charging.



WARNING!

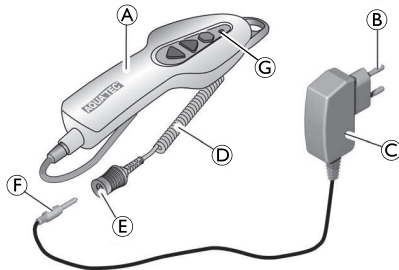
Risk of electric shock

- Only recharge the battery in dry rooms at room temperature (15 °C to 25 °C) and never in the bathroom.



IMPORTANT!

- Only use the charger supplied to charge the battery in the hand control.
- Only connect the charger to the mains supply when the hand control is connected to the charger.
- Make sure that the voltage specifications shown on the charger correspond to those of the mains supply.



1. Insert the jack plug ⑥ of the charger ③ into the jack socket ⑤ on the spiral cable ④ of the hand control ① until it engages.
2. Insert the mains plug ② of the charger into a power socket.



The red indicator lamp ⑥ on the hand control extinguishes when the battery is completely charged. It is not possible to „overcharge“ the battery.

3. Disconnect the charger from the power socket.
4. Pull the jack plug of the charger out of the jack socket of the hand control.

4 Usage

4.1 Safety information



CAUTION!

Overloading the bath lift can lead to damage to the device or prevent lifting.

- Do not overload the bath lift and observe the specifications on the identification label and in section 9.1 *Dimensions and weight*, page 25 with regard to its load capacity.



CAUTION!

Danger of pinching fingers

- Do not insert fingers into the guide between the seat plate and the backrest.
- Do not grab under the seat plate or between the lifting scissors.



IMPORTANT!

Moisture may penetrate into a damaged hand control, which could lead to a short circuit and fire.

- Always perform a visual inspection of the product for external damage before each use.
- If the housing of the hand control is damaged or shows cracks, do not use the hand control.
- Recharge the battery completely before each use, 3.4 *Charging the battery*, page 13.

1. Refer to operating conditions in section 9.4 *Environmental Parameters*, page 26.

4.2 Controlling the bath lift

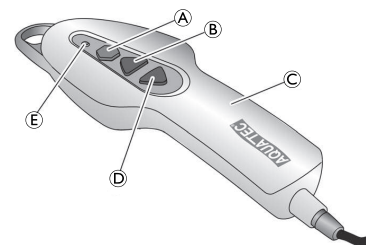
The bath lift can be moved in the following directions:



The bath lift is controlled via the hand control, either by the user or an assistant.



With a fully charged battery, the ORCA and ORCA F can perform 5 bathing operations with a load of 140 kg. The ORCA XL can perform 4 bathing operations with a load of 170 kg.



IMPORTANT!

Risk of damage

- The hand control may only be used when the backrest is properly installed and in the upright position.

! **IMPORTANT!**

If the battery in the hand control © is not sufficiently charged, the red indicator lamp ⑤ lights up red when the Down button ④ is pressed. In this case, the lowering function of the bath lift is disabled. You can however still raise the lift.

- Recharge the battery immediately after raising the bath lift.

Raising the bath lift

! **IMPORTANT!**

If the backrest is lowered, it will move into the upright position first (not on model ORCA F).

1. Press the Up button ② on the hand control and keep it pressed.
The backrest moves into the upright position or the seat moves upwards.
2. Release the Up button on the hand control.
The bath lift stops in the current position.

Lowering the bath lift

! **IMPORTANT!**

If the seat is already lowered, the backrest lowers towards the rear (not on model ORCA F).

1. Press the Down button ④ on the hand control and keep it pressed.
The seat moves downwards or the backrest tilts to the rear.
2. Release the Down button on the hand control.
The bath lift stops in the current position.

Emergency off switch

! **IMPORTANT!**

Only press the Emergency Off button ① if the device does not stop immediately when the Up or Down button is released (e.g. if a button jams). The bath lift stops moving immediately and the red light integrated in the hand control lights up.

If the red indicator light switches off after the emergency off button is released, the fault has been rectified (e.g. button is released again). The device is ready to use again.

If the red indicator light stays on after the emergency off button is released, the fault has not yet been rectified. The device is not ready for use and must be repaired, e.g. in the event of damage to the electronics.



Contact your specialist dealer, if necessary.

4.3 Bathing



WARNING!

Risk of slipping

The bath lift can slip if the suction cups do not have a good hold.

- Before using the bath lift ensure that it is securely positioned and cannot tip over.
- Ensure that the bath lift is set up in the bathtub, → 3.3 *Setting up the bath lift, page 10.*

**WARNING!**


- If your condition means that you cannot take a bath on your own, only use the device with supervision.
- If operating the device without supervision, make sure to have an alarm system or telephone within reach in case of unforeseen events (e.g. malfunctions).


**CAUTION!**

- Bath oils or salts can impair the performance of the lifting scissors.
- If using such bath additives, do not exceed the recommended dose.


**IMPORTANT!**

- Run the unloaded lift once to the top and then back to the bottom (function test).
- Before using, check the temperature of the bath water.

1. Press and hold the Up button  until the seat is level with the edge of the bathtub.
2. Make sure that the side flaps are level with the seat and rest flat on the edge of the bathtub.
3. Fill the bath with water.
4. Sit on the side flap nearest to you as you would on a chair.
5. Slide backwards until you are sitting in the middle of the seat.
6. Turn yourself into the bathing position, by lifting one leg and then the other over the edge of the bathtub.

7. Once you are sitting correctly, press and hold the Down button  to lower the seat into the bathtub.

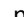


Once the seat has reached the lowest position, it is possible to recline the backrest by continuing to hold the Down button . This produces a more comfortable bathing position and allows you to immerse yourself deeper in the bath water (not on model ORCA F).

8. Keep the Down button pressed until the backrest has reached the desired position.



To get out of the bathtub, following these steps in reverse order.

9. To raise the backrest or the bath lift, press and hold the Up button  until the seat is at the same level with the bathtub edge.

**IMPORTANT!**

- Disconnect the hand control from the device when the bath lift is not in use, see section 5.2 *Removing the bath lift, page 18, step 3.*

5 Transport

5.1 Safety information



CAUTION!

The backrest is not locked on the seat when it is folded and can come apart.

- Do not remove the suction cups when transporting the bath lift.
- Remove the hand control from the backrest for transport.
- Refer to the storage and shipping conditions in section 9.4 *Environmental Parameters*, page 26.

1. Remove the hand control.
2. Disassemble the bath lift into two sections for transport (seat and backrest), → 5.2 *Removing the bath lift*, page 18.

5.2 Removing the bath lift

1. Let the water out of the bathtub.
2. Lower the bath lift using the Down button until the backrest stops in the lowered end position, → 4.2 *Controlling the bath lift*, page 15.

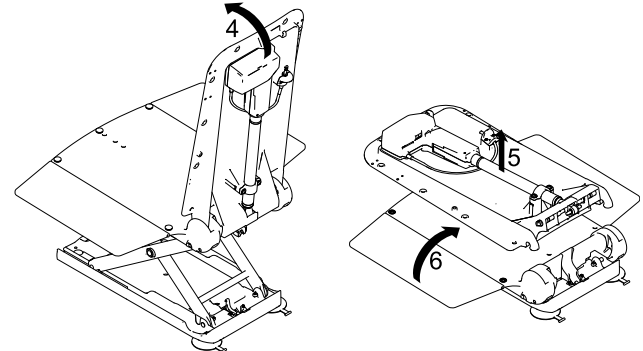
3. Unlock the jack socket on the spiral cable of the hand control by pushing up the unlocking sleeve and pull it off the jack plug.



IMPORTANT!

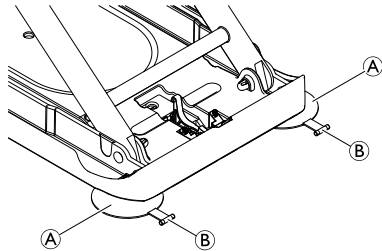
Risk of damage

- When folding the backrest down, ensure that the spiral cable of the hand control does not become trapped.
- Do not fold the backrest down if water is in the bathtub.



4. Hold the backrest at the top end with one hand and fold it forwards to the end position.
5. Lift the backrest up off the seat and out of the bathtub.

6. Fold the side flaps of the seat inwards.



IMPORTANT!

- Release both rear suction cups simultaneously.

7. Release the rear suction cup (A) by pulling up on its tab (B).
8. Lift the rear of the seat further. This releases the front suction cups.



IMPORTANT!

- If the height adapters have been installed (optional), you also have to pull the tabs of the front suction cups to release them.

9. Lift the seat out of the bathtub.
10. Carefully store all components of the bath lift.

6 Maintenance

6.1 Servicing and inspection

The UK Health and Safety Executive's Lifting Operations and Lifting Equipment Regulations 1998 (LOLER), require any equipment that is used in the workplace (e.g. by a paid carer) to lift a load be subject to safety inspection on a six monthly basis. Please refer to the HSE web site for guidance www.hse.gov.uk. Link to HSE information document on LOLER in Health and Social Care: <http://www.hse.gov.uk/pubns/hsis4.pdf>

If the cleaning and safety notices are observed, the product will be maintenance-free.

! IMPORTANT!

The hand control may only be opened by the manufacturer of the bath lift.

1. Check the product regularly for damage and to ensure that it is securely assembled.
2. In the event of damage and/or necessary repairs, contact the dealer immediately.
3. The bath lift must be checked by an authorized dealer before every re-use. It is recommended to check the bath lift after 24 months at the latest (in accordance with EN ISO 10535).
4. If the bath lift is not used for a prolonged period, charge the battery completely and then raise and lower the bath lift 3 times without load. Repeat this process every 3 months. This helps to maintain the service life of the battery.

6.2 Cleaning and disinfection

The product can be cleaned and disinfected using commercially available agents.

1. Disinfect the product by wiping down all generally accessible surfaces with disinfectant (after disassembling the product, if possible).

! IMPORTANT!

All cleaning agents and disinfectants used must be effective, compatible with one another and must protect the materials they are used to clean.

- For further information on decontamination in Healthcare Environments, please refer to 'The National Institute for Clinical Excellence' guidelines on Infection Control www.nice.org.uk/CG139 and your local infection control policy.
- Clean the product regularly by hand.
- Do not use abrasive cleaning agents.

Cleaning the seat and backrest



CAUTION!

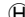
Danger of pinching fingers

- Be especially careful when cleaning in the area of the lifting scissors, as they may move and cause injury.

! IMPORTANT!

Risk of damage

- Never use a high-pressure cleaner to clean the backrest.

1. Wash the product using a cloth or a brush.
2. Rinse the product with warm water.
3. Dry the product with a cloth.
4. Lightly grease the guide for the sliding shoe (Fig. Chap. 3.2, ) using Vaseline.

Cleaning the covers (optional)



It is recommended to wash the covers before first use. For hygienic reasons it is recommended to clean the covers regularly and exchange the covers yearly.

1. Unbutton the covers from the seat and backrest.
2. Wash the covers in a washing machine at max. 60 °C using a mild detergent.



IMPORTANT!

Risk of damage

- Washing at high temperatures can cause damage or shrinkage to the covers.
- Do not dry covers in the tumble dryer.

Cleaning the charger and hand control



WARNING!

Risk of electric shock

- Always disconnect the plug from the power socket before cleaning the charger.
- Never insert objects made of conductive material (e.g. knitting needles, metal pins) into the jack socket of the hand control.
- Never use a wet or damp cloth to clean the charger.

7 After Use

7.1 Storage



IMPORTANT! **Risk of damage**

- Do not store the product near heat sources.
- Do not expose the product to direct sunlight.
- Refer to the storage and shipping conditions in section 9.4 *Environmental Parameters*, page 26.

7.2 Re-use

The product is suitable for repeated use. The number of times it can be used depends on how often and in which way the product is used. Before reuse, clean and disinfect the product thoroughly (→ 6.2 *Cleaning and disinfection*, page 20) and check the safety functions, and reset if necessary.

7.3 Disposal

The disposal and recycling of used products and packaging must be conducted in accordance with the applicable local regulations.



WARNING!

- Never throw the hand control into a fire or store it near naked flames.

Duty to inform in accordance with German Battery Directive, BattG:

This product contains a rechargeable lithium-ion battery. Discharged batteries or those which can no longer be

recharged must not be disposed of in domestic waste. Old batteries may contain hazardous substances which could be a danger to the environment and public health.

Please return such batteries to your retailer or to your municipal collection point. Returning them is free of charge and is required by law.

Please only throw discharged batteries into the containers provided and mask the poles of lithium batteries.

8 Troubleshooting

8.1 Identifying and repairing faults



The following table provides information on malfunctions and their possible causes. If you cannot correct the malfunction using the remedies named, please contact your dealer directly.

Fault	Possible cause	Remedy
No motor noise audible/lift does not move.	Jack socket of the hand control is not engaged correctly.	Engage the jack socket, → 3.3 <i>Setting up the bath lift, page 10.</i>
	Battery is flat.	Recharge the battery completely, → 3.4 <i>Charging the battery, page 13.</i>
	Contacts are dirty.	Clean the plug on the backrest, → contact your dealer, if necessary.
	Cable is crushed/damaged.	Replace the hand control, → contact your dealer, if necessary.
The lift can be raised but not lowered.	Low-voltage protection is activated.	Recharge the battery completely, → 3.4 <i>Charging the battery, page 13.</i>
The lift stops while being raised.	Excessive load.	Observe maximum load, → 9.1 <i>Dimensions and weight, page 25.</i>
The bath lift is not adhering securely to the bathtub.	Suction cups are old or damaged.	Replace the suction cups, → contact your dealer, if necessary.
Battery is not charging and the red indicator light flashes during charging	Faulty electronics.	Have your authorized dealer check the hand control.
	Faulty battery.	Replace the hand control.

Fault	Possible cause	Remedy
	Faulty charger.	Have your authorized dealer check the charger.
	Battery is too hot.	Do not charge the hand control near heat sources, e.g. heating elements, direct sunlight. Charging continues automatically once the temperature drops to the permissible limits.

9 Technical Data

9.1 Dimensions and weight

Total length at lowest position	920 mm
Total length at highest position	650 mm
Total height at highest position	1075 mm
Seat length	590 mm
Seat width with side flaps folded out	715 mm
Seat width with side flaps folded in	390 mm
Seat height at lowest position	60 mm
Seat height at highest position	420 mm
Backrest width	360 mm
Minimum angle of backrest	8°
Base plate width	295 mm
Max. load (ORCA / ORCA F) Max. load (ORCA XL)	140 kg 170 kg
Total weight without hand control (ORCA) (ORCA F) (ORCA XL)	10,8 kg 11,4 kg 11,6 kg
Seat weight (ORCA) (ORCA F) (ORCA XL)	6,6 kg 7,2 kg 7,4 kg
Backrest weight (ORCA / ORCA F / ORCA XL)	4,2 kg

Hand control weight	0,4 kg
Charger weight	0,1 kg

9.2 Electronic data

Activation force for the buttons of the hand control	< 5 N
Hand control operating voltage ¹⁾	10.8 V DC / 14 V DC
Rated input power ¹⁾	43 VA / 56 VA
Rated current	4 A
Battery type	Lithium-ion
Charger input	100 - 240 V AC, 50 - 60 Hz
Charger output	24 V DC, 135 mA, 3 VA
Charge time from low-voltage warning	approx. 4.5 h
Type of protection, drive	IP X6 W ²⁾
Type of protection, hand control	IP 67 ³⁾
Type of protection, entire device	IP X6 ⁴⁾
Sound power level	52 dB(A)

The actuator does not switch off when product is overloaded. Do not overload the bath lift to avoid damages.

1) 10,8 V DC / 43 VA valid when using hand controls with voltage 10.8 V, indicated on the back of the hand control.
14 V DC / 56 VA valid when using hand controls with voltage 14 V, indicated on the back of the hand control.

2) Protected against the penetration of water in the event of strong jets of water, tested under stipulated weather conditions.


3) Dust-proof and protected against the penetration of water during temporary immersion.

4) Protected against the penetration of water in the event of strong jets of water.

Ambient temperature	0 - 40 °C
Relative humidity	30 % - 75 %, non-condensing
Atmospheric pressure	795 - 1060 hPa

9.3 Materials

Backrest	PPGF
Seatplate	PPGF
Covers	PVC

 All materials used are corrosion resistant and latex free.

9.4 Environmental Parameters

Operating conditions	
Ambient temperature	10 - 40 °C
Relative humidity	15 % - 93 %, non-condensing
Atmospheric pressure	795 - 1060 hPa
Storage and shipping conditions	

10 Electromagnetic compatibility (EMC)

10.1 General EMC information

Medical Electrical Equipment needs to be installed and used according to the EMC information in this manual.

This product has been tested and found to comply with EMC limits specified by IEC/EN 60601-1-2 for Class B equipment.

Portable and mobile RF communications equipment can affect the operation of this product.

Other devices may experience interference from even the low levels of electromagnetic emissions permitted by the above standard. To determine if the emission from this product is causing the interference, run and stop running this product. If the interference with the other device operation stops, then this product is causing the interference. In such rare cases, interference may be reduced or corrected by the following:

- Reposition, relocate, or increase the separation between the devices.

10.2 Electromagnetic emission

Guidance and manufacturer's declaration

This product is intended for use in the electromagnetic environment specified below. The customer or the user of this product should assure that it is used in such an environment.

Emissions test	Compliance	Electromagnetic environment - guidance
RF emissions CISPR 11	Group I	This product uses RF energy only for its internal function. Therefore, its RF emissions are very low and are not likely to cause any interference in nearby electronic equipment.
RF emissions CISPR 11	Class B	This product is suitable for use in all establishments including domestic establishments and those directly connected to the public low-voltage power supply network that supplies buildings used for domestic purposes.


Harmonic emissions IEC 61000-3-2	Class A	
Voltage fluctuations /flicker emissions IEC 61000-3-3	Complies	

10.3 Electromagnetic Immunity

Guidance and manufacturer's declaration

This product is intended for use in the electromagnetic environment specified below. The customer or the user of this product should assure that it is used in such an environment.

Immunity test	Test / Compliance level	Electromagnetic environment – guidance
Electrostatic discharge (ESD) IEC 61000-4-2	± 8kV contact ± 2 kV, ± 4 kV, ± 8 kV, 15 kV air	Floors should be wood, concrete or ceramic tile. If floors are covered with synthetic material, the relative humidity should be at least 30 %.
Electrostatic transient / burst IEC 61000-4-4	± 2 kV for power supply lines; 100 kHz repetition frequency ± 1 kV for input / output lines; 100 kHz repetition frequency	Mains power quality should be that of a typical commercial or hospital environment.
Surge IEC 61000-4-5	± 1 kV line to line ± 2 kV line to earth	Mains power quality should be that of a typical commercial or hospital environment.

Immunity test	Test / Compliance level	Electromagnetic environment – guidance
Voltage dips, short interruptions and voltage variations on power supply input lines IEC 61000-4-11	$< 0\% U_T$ for 0,5 cycle at 45° steps $0\% U_T$ for 1 cycles $70\% U_T$ for 25 / 30 cycles $< 5\% U_T$ for 250 / 300 cycles	Mains power quality should be that of a typical commercial or hospital environment. If the user of this product requires continued operation during power mains interruptions, it is recommended that the product is powered from an un-interruptible power supply or a battery. U_T is the a. c. mains voltage prior to application of the test level.
Power frequency (50/60 Hz) magnetic field IEC 61000-4-8	30 A/m	Power frequency magnetic fields should be at levels characteristic of a typical location in a typical commercial or hospital environment.
Conducted RF IEC 61000-4-6	3 V $150\text{ kHz to }80\text{ Mhz}$ 6 V in ISM & amateur radio bands	Field strengths from fixed transmitters, such as base stations for radio (cellular/cordless) telephones and land mobile radios, amateur radio, AM and FM radio broadcast and TV broadcast cannot be predicted theoretically with accuracy. To assess the electromagnetic environment due to fixed RF transmitters, an electromagnetic site survey should be considered. If the measured field strength in the location in which this product is used exceeds the applicable RF compliance level above, this product should be observed to verify normal operation. If abnormal performance is observed, additional measures may be necessary, such as reorienting or relocating this product. Interference may occur in the vicinity of equipment marked with the following symbol: 

Immunity test	Test / Compliance level	Electromagnetic environment – guidance
Radiated RF IEC 61000-4-3	10 V/m 80 Mhz to 2,7 GHz 385 MHz - 5785 MHz test specifications for immunity to RF wireless communication equipment refer to table 9 of IEC 60601-1-2:2014	Portable and mobile RF communications equipment should be used no closer than 30 cm to any part of this product including cables.



These guidelines may not apply in all situations. Electromagnetic propagation is affected by absorption and reflection from structures, objects and people.

Inhaltsverzeichnis

Diese Gebrauchsanweisung muss dem Benutzer des Produkts ausgehändigt werden. Lesen Sie diese Gebrauchsanweisung vor Verwendung des Produktes und bewahren Sie sie für den weiteren Gebrauch auf.

1 Allgemein	32
1.1 Einleitung	32
1.2 Symbole in diesem Handbuch	32
1.3 Garantie	33
1.4 Konformität	33
1.4.1 Produktspezifische Normen	33
1.5 Bestimmungsgemäße Verwendung	33
1.6 Nutzungsdauer	34
2 Sicherheit	35
2.1 Sicherheitsinformationen	35
2.2 Sicherheitshinweise zur elektromagnetischen Verträglichkeit	35
2.3 Schilder und Symbole am Produkt	36
3 Inbetriebnahme	38
3.1 Sicherheitsinformationen	38
3.2 Lieferumfang	38
3.3 Einrichten des Badewannenlifters	40
3.4 Aufladen des Akkus	43
4 Verwenden	45
4.1 Sicherheitsinformationen	45
4.2 Steuerung des Badewannenlifters	45
4.3 Baden	47
5 Transport	49
5.1 Sicherheitsinformationen	49
5.2 Entfernen des Badewannenlifters	49
6 Instandhaltung	51
6.1 Wartung und Inspektion	51

6.2 Reinigung und Desinfektion	51
7 Nach dem Gebrauch	53
7.1 Lagerung	53
7.2 Wiedereinsatz	53
7.3 Entsorgung	53
8 Problembehandlung	54
8.1 Erkennen und Beheben von Mängeln	54
9 Technische Daten	56
9.1 Abmessungen und Gewicht	56
9.2 Elektrische Daten	56
9.3 Materialien	57
9.4 Umweltparameter	57
10 Elektromagnetische Verträglichkeit (EMV)	58
10.1 Allgemeine Informationen zu Elektromagnetischer Verträglichkeit (EMV)	58
10.2 Elektromagnetische Emissionen	58
10.3 Elektromagnetische Störfestigkeit	59

1 Allgemein

1.1 Einleitung

Diese Gebrauchsanweisung enthält wichtige Informationen zur Handhabung des Produkts. Lesen Sie die Gebrauchsanweisung sorgfältig und befolgen Sie die Sicherheitsanweisungen, damit eine sichere Verwendung des Produkts gewährleistet ist.

Beachten Sie, dass diese Gebrauchsanweisung für Ihr Produkt möglicherweise irrelevante Abschnitte enthält, da sie sämtliche zum Zeitpunkt der Drucklegung verfügbaren Modelle abdeckt. Sofern nicht anders angegeben, bezieht sich jeder Abschnitt in dieser Gebrauchsanweisung auf alle Modelle des Produkts.

Die für Ihr Land erhältlichen Modelle und Ausstattungsvarianten sind über die länderspezifischen Preislisten einsehbar.

Invacare behält sich das Recht vor, Produktspezifikationen ohne vorherige Ankündigung abzuändern.

Vergewissern Sie sich vor dem Lesen dieser Gebrauchsanweisung, dass Sie die aktuelle Fassung haben. Die jeweils aktuelle Fassung können Sie als PDF-Datei von der Invacare Webseite herunterladen.

Wenn die gedruckte Fassung der Gebrauchsanweisung für Sie aufgrund der Schriftgröße schwer zu lesen ist, können Sie die entsprechende PDF-Version von der Invacare Website herunterladen. Sie können das PDF-Dokument dann auf dem Bildschirm so anzeigen, dass die Schriftgröße für Sie angenehmer ist.

Weitere Informationen zum Produkt, z. B. Informationen zu Produktsicherheitshinweisen oder zu einem Produktrückruf, erhalten Sie von Ihrem Invacare-Vertreter. Die entsprechenden Internetadressen finden Sie am Ende dieses Dokuments.

1.2 Symbole in diesem Handbuch

Warnungen sind in diesem Dokument mit Symbolen gekennzeichnet. Die Warnsymbole sind neben einer Überschrift abgebildet, die auf die Gefährlichkeit hinweist.



WARNUNG

Weist auf eine gefährliche Situation hin, die bei Nichtbeachtung zu schweren Verletzungen oder zum Tod führen kann.



VORSICHT

Weist auf eine gefährliche Situation hin, die bei Nichtbeachtung zu leichten Verletzungen führen kann.



WICHTIG

Weist auf eine gefährliche Situation hin, die bei Nichtbeachtung der Hinweise zu Sachschäden führen kann.



Tipps und Empfehlungen

Enthalten nützliche Tipps, Empfehlungen und Anleitungen für eine effiziente und problemlose Verwendung.



Dieses Produkt entspricht der Richtlinie 93/42/EWG über Medizinprodukte. Der Markteinführungszeitpunkt für dieses Produkt ist in der CE-Konformitätserklärung angegeben.



Hersteller des Produkts

1.3 Garantie

Wir gewähren für das Produkt eine Herstellergarantie gemäß unseren Allgemeinen Geschäftsbedingungen für das jeweilige Land. Garantieansprüche können nur über den Anbieter geltend gemacht werden, von dem das Produkt bezogen wurde.

Bezüge und Saugnäpfe sind von dieser Garantie ausgeschlossen.

1.4 Konformität

Qualität ist für das Unternehmen entscheidend. Alle Abläufe sind nach den Anforderungen von ISO 13485 ausgerichtet.

Dieses Produkt trägt die CE-Kennzeichnung in Übereinstimmung mit der Richtlinie 93/42/EWG über Medizinprodukte, Klasse I.

Wir setzen uns kontinuierlich dafür ein, die Umwelt durch unsere Unternehmenstätigkeit sowohl direkt vor Ort als auch weltweit möglichst wenig zu beeinträchtigen.

Wir verwenden ausschließlich REACH-konforme Materialien und Bauteile.

Wir beachten die aktuellen Umweltschutzbestimmungen WEEE (Richtlinie über Elektro- und Elektronik-Altgeräte) und RoHS (Richtlinie zur Beschränkung der Verwendung bestimmter gefährlicher Stoffe in Elektro- und Elektronikgeräten).

1.4.1 Produktspezifische Normen

Dieses Produkt entspricht den Anforderungen der Norm ISO 10535 (Lifter zum Transport von behinderten Menschen).

Weitere Informationen erhalten Sie bei der Niederlassung von Invacare in Ihrem Land (Anschriften finden Sie am Ende dieses Dokuments).

1.5 Bestimmungsgemäße Verwendung

Badewannenlifter erleichtern bzw. ermöglichen den Einstieg in die bzw. den Ausstieg aus der Badewanne. Sie sind ausschließlich als Badehilfe für Personen mit eingeschränkter Bewegungsfähigkeit bestimmt. Jede weitere Verwendung ist nicht erlaubt.

Der Badewannenlifter ist für den Einsatz in Kliniken, Pflegeeinrichtungen sowie im privaten, häuslichen Bereich bestimmt.

Indikationen

- Erhebliche Funktionsminderung/fehlende Funktionsfähigkeit der oberen und/oder unteren Extremitäten (z.B. Amputationen, Lähmungen, Gelenkerkrankungen, neuromuskulären Erkrankungen mit Beeinträchtigung der Extremitäten), wenn ein weitgehend selbständiges Ein- und Aussteigen aus der Badewanne bzw. Hin- und Aufsetzen nicht mehr möglich ist; Rumpfkontrolle und eine Restfunktionsfähigkeit der Extremitäten müssen noch ausreichend vorhanden sein.
- Chronische Krankheitsfolgen mit Funktionseinschränkungen der unteren und/oder oberen Extremitäten, die ein selbständiges Baden nicht mehr zulassen, wenn durch die Benutzung des Badewannenlifters jedoch ein weitgehend eigenständiges Baden ermöglicht wird und andere Badehilfen zum Ausgleich der Behinderung nicht ausreichen.

Kontraindikationen

Bei richtiger Anwendung sind keine Kontraindikationen bekannt.

1.6 Nutzungsdauer

Die Nutzungsdauer dieses Produkts beträgt fünf Jahre, vorausgesetzt, es wird täglich und in Übereinstimmung mit den in dieser Gebrauchsanweisung aufgeführten Sicherheitshinweisen, Wartungsintervallen und korrekten Verfahrensweisen verwendet. Die tatsächliche Haltbarkeitsdauer kann abhängig von Häufigkeit und Intensität der Verwendung variieren.

2 Sicherheit

2.1 Sicherheitsinformationen



WARNUNG!

- Verwenden Sie dieses Produkt oder optionales Zubehör erst, nachdem Sie diese Anweisungen und mögliches zusätzliches Anweisungsmaterial, wie zum Produkt oder optionalen Zubehör gehörende Gebrauchsanweisungen, Servicehandbücher oder Merkblätter, vollständig gelesen und verstanden haben. Invacare-Produktanweisungen erhalten Sie im Internet oder bei Ihrem Händler vor Ort (Anschriften finden Sie auf der Rückseite dieser Gebrauchsanweisung).
- Falls die Warnungen, Sicherheitshinweise und Anweisungen unverständlich sind, wenden Sie sich bitte an einen Mitarbeiter des Pflegepersonals, den zuständigen Händler oder den technischen Kundendienst von Invacare, bevor Sie die Ausrüstung verwenden. Andernfalls kann es zu Verletzungen und Sachschäden kommen.



WARNUNG!

Verletzungsrisiko

- Defekte Produkte nicht verwenden.
- Wenden Sie sich im Falle einer Fehlfunktion bitte sofort an Ihren Händler.
- Keine unbefugten Änderungen am Produkt vornehmen.
- Nur Ersatzteile verwenden, die für dieses Produkt bestimmt sind.



WARNUNG!

Verletzungsrisiko

- Stellen Sie sich niemals auf den Badewannenlifter, um in die Badewanne ein- oder aus ihr auszusteigen; verwenden Sie ihn auch nicht zum Hoch- oder Hinabsteigen, als Hebeplattform oder für einen ähnlichen Zweck.



WICHTIG!

- Die in diesem Handbuch enthaltenen Informationen können jederzeit ohne vorherige Ankündigung geändert werden.
- Überprüfen Sie alle Teile vor ihrer Verwendung auf Transportschäden und testen Sie sie.

2.2 Sicherheitshinweise zur elektromagnetischen Verträglichkeit

**WARNUNG!****Gefahr von Fehlfunktionen aufgrund elektromagnetischer Störungen**

Zwischen diesem Produkt und anderen elektrischen Geräten kann es zum Auftreten elektromagnetischer Störungen kommen, die die elektrischen Einstellfunktionen dieses Produkts beeinträchtigen können. Um derartige elektromagnetische Störungen zu verhindern, zu reduzieren oder zu beseitigen, sollten Sie die folgenden Richtlinien beachten:

- Verwenden Sie nur Originalkabel, -zubehör und -ersatzteile, um die elektromagnetischen Emissionen nicht zu erhöhen bzw. die elektromagnetische Störfestigkeit dieses Produkts nicht zu verringern.
- Verwenden Sie tragbare HF-Kommunikationsgeräte nur in einem Abstand von mindestens 30 cm zu beliebigen Teilen dieses Produkts (einschließlich Kabeln).
- Verwenden Sie dieses Produkt nicht in der Nähe aktiver chirurgischer Hochfrequenzgeräte und nicht in der Nähe eines vor HF-Strahlung abgeschirmten Raums eines Kernspintomografiesystems (derartige Systeme verursachen starke elektromagnetische Störungen).
- Falls Störungen auftreten, vergrößern Sie den Abstand zwischen diesem Produkt und dem anderen Gerät, oder schalten Sie es aus.
- Lesen Sie die ausführlichen Informationen in Kapitel 10 *Elektromagnetische Verträglichkeit*

(EMV), Seite 58, und folgen Sie den dort aufgeführten Leitlinien.

**WARNUNG!****Gefahr von Fehlfunktionen**

Elektromagnetische Störungen können den Betrieb beeinträchtigen.

- Verwenden Sie dieses Produkt nicht unmittelbar neben oder mit anderen elektrischen Geräten gestapelt. Sofern eine solche Verwendung erforderlich ist, müssen das Produkt und andere Geräte sorgfältig beobachtet werden, um den einwandfreien Betrieb sicherzustellen.

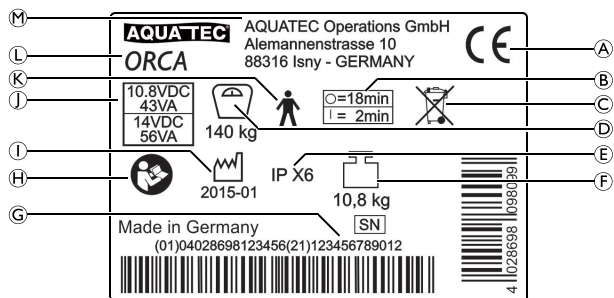


Die Nutzung von Produkten wie beispielsweise Herzschrittmachern ist nach unserem Kenntnisstand mit keinerlei Gefahren verbunden.

2.3 Schilder und Symbole am Produkt

Typenschild

Das Typenschild enthält wichtige Informationen:



Ⓐ	Produktbezeichnung
Ⓜ	Hersteller



Das Typenschild ist an der Rückseite der Rückenlehne angebracht.

Ⓐ	CE-Kennzeichen
Ⓑ	Nutzungsintervall (ein Dauerbetrieb des Motors ist nicht zulässig): max. 2 Minuten ununterbrochener Betrieb, gefolgt von einer 18-minütigen Pause.
Ⓒ	Entsorgungshinweis
Ⓓ	Maximales Benutzergewicht
Ⓔ	Schutzart
Ⓕ	Produktgewicht
Ⓖ	Seriennummer
Ⓕ	Gebrauchsanweisung lesen
Ⓘ	Produktionsdatum
Ⓙ	Nennspannung/Nennleistung, siehe 9.2 Elektrische Daten, Seite 56
Ⓚ	Anwendungsteil Typ B

3 Inbetriebnahme

3.1 Sicherheitsinformationen



WICHTIG!

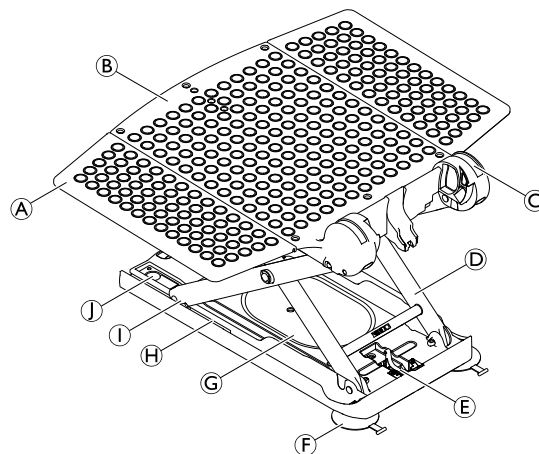
- Überprüfen Sie die Teile vor Inbetriebnahme auf Transportschäden und wenden Sie sich im Bedarfsfall an den Händler.
- Achten Sie während der Montage darauf, dass die Teile korrekt aufeinander ausgerichtet werden.
- Es wird empfohlen, die Bezüge vor dem ersten Gebrauch zu waschen (siehe Kapitel 6.2 *Reinigung und Desinfektion, Seite 51*).

3.2 Lieferumfang

Diese Gebrauchsanweisung bezieht sich auf die Modelle ORCA, ORCA F und ORCA XL. Diese Modelle unterscheiden sich hinsichtlich des Gewichts und des maximal zulässigen Benutzergewichts (siehe Abschnitt 9.1 *Abmessungen und Gewicht, Seite 56*). Für alle drei Modelle sind optionale Sitz- und Rückenlehnenbezüge verfügbar. Beim Modell ORCA F kann die Rückenlehne nicht abgesenkt werden.

Die folgenden Komponenten sind im Lieferumfang enthalten:

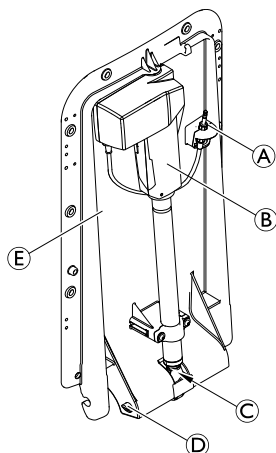
Sitz



(A)	Seitenklappe
(B)	Sitzplatte
(C)	Scharnier für Rückenlehne
(D)	Hubschere
(E)	Spindelfußhalterung
(F)	Hintere Saugnäpfe (zwei Laschen mit Gewinde)
(G)	Grundplatte
(H)	Führung für den Gleitschuh

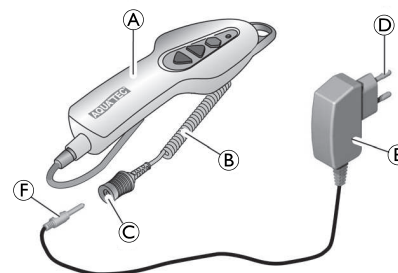
①	Gleitschuh
①	Vordere Saugnäpfe (eine Lasche mit Kopf)

Rückenlehne



Ⓐ	Klinkenstecker
Ⓑ	Antrieb
Ⓒ	Spindelfuß
Ⓓ	Verriegelungsstift
Ⓔ	Rückenlehnenplatte

Handbedienteil und Ladegerät



Ⓐ	Handbedienteil mit Akku
Ⓑ	Spiralkabel des Handbedienteils
Ⓒ	Klinkenbuchse des Handbedienteils
Ⓓ	Netzstecker
Ⓔ	Ladegerät
Ⓕ	Klinkenstecker des Ladegeräts

3.3 Einrichten des Badewannenlifters



WARNUNG!

Rutschgefahr

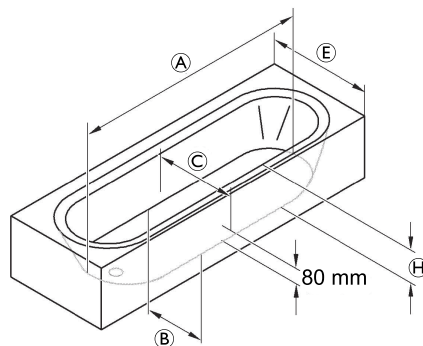
- Wenn die Saugnäpfe keinen guten Halt haben, kann der Badewannenlifter verrutschen.
- Reinigen Sie die Badewanne und die Saugnäpfe mit einem feuchten Tuch, bevor Sie den Badewannenlifter einrichten.
 - Verändern Sie die Position des Badewannenlifters in der Badewanne nicht mehr, wenn dieser erst einmal eingerichtet ist.



WARNUNG!

Gefahr von Sach- und Personenschäden!

- Stellen Sie den Badewannenlifter nur in Badewannen auf, die den Angaben der folgenden Tabelle entsprechen.
- Wenn die Badewanne einen seitlichen Überlauf besitzt, verwenden Sie die speziellen Seitenklappen (als Zubehör erhältlich).

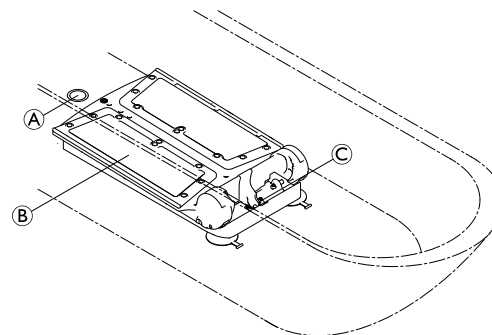


Ⓐ	Wannenlänge (Wannenboden)	≥ 800 mm
Ⓑ	Wannenbreite (Wannenboden, innen)	≥ 280 mm
Ⓒ	Wannenbreite in 80 mm Höhe (innen)	≥ 430 mm
Ⓔ	Wannenbreite (außen)	580 mm – 690 mm (mit speziellen Seitenklappen) 700 mm – 740 mm (mit Standard-Seitenklappen) 750 mm – 1000 mm (mit speziellen Seitenklappen)
Ⓕ	Wannenhöhe (innen)	≤ 420 mm (mit Höhenadapter max. + 60 mm)

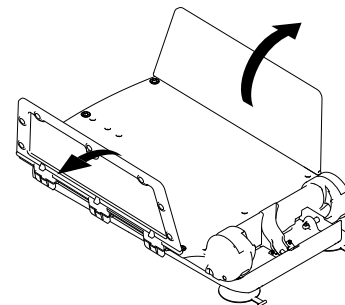


WICHTIG!

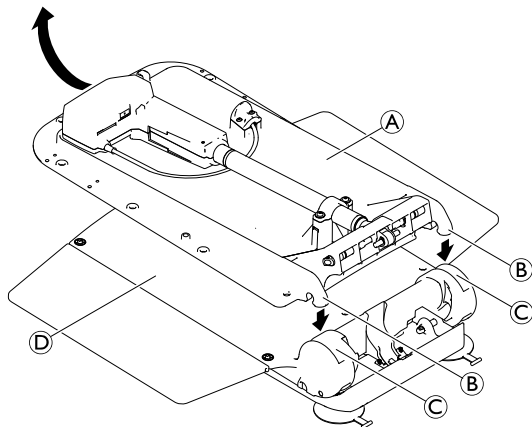
- Stellen Sie sicher, dass die Saugnäpfe richtig angebracht sind.
- Stellen Sie sicher, dass der Akku im Handbedienteil aufgeladen ist.
- Stellen Sie sicher, dass der Spindelfuß vollständig eingesetzt ist.
- Beachten Sie beim Anheben von Komponenten des Badewannenlifters, dass diese z. T. ein beachtliches Gewicht aufweisen (siehe Abschnitt 9.1 *Abmessungen und Gewicht*, Seite 56).
- Wenn an der Innenseite der Badewanne ein Handlauf montiert ist, sind die Seitenklappenumlenker zu verwenden (als Zubehör erhältlich).
- Klappen Sie die Seitenklappen nach außen, bevor Sie die Rückenlehne hochklappen.



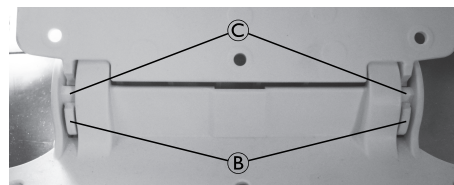
1. Stellen Sie den Sitz **B** auf den Boden der leeren Badewanne. Vergewissern Sie sich, dass die Spindelfußhalterung **C** zum Wannenende (dem Ablauf **A** entgegengesetzt) gerichtet ist.



2. Klappen Sie die Seitenklappen des Sitzes nach außen.



3. Setzen Sie die Rückenlehne ① (ohne Handbedienteil) so auf den Sitz, dass die Haken ② der Rückenlehne in die Scharniere ③ der Sitzplatte ④ greifen.



WICHTIG!

Gefahr von Beschädigungen

Beschädigung des Produkts durch falsche Montage der Rückenlehne.

- Achten Sie darauf, dass die beiden Haken ② der Rückenlehne in die Scharniere ③ der Sitzplatte greifen.
- Vergewissern Sie sich, dass die Rückenlehne ohne Kraftaufwand und spürbaren Widerstand in die Endlage hochgeklappt wird. Die nachstehende Abbildung zeigt die Endlage.

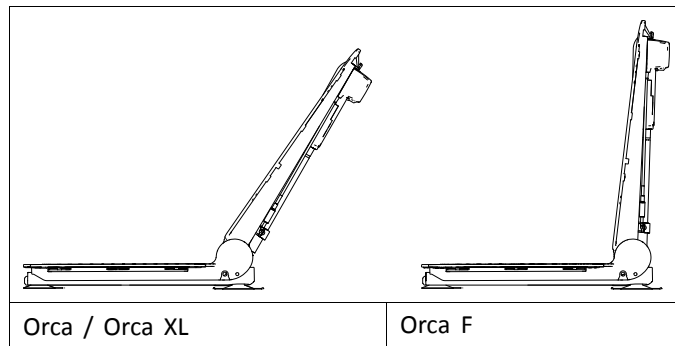


WICHTIG!

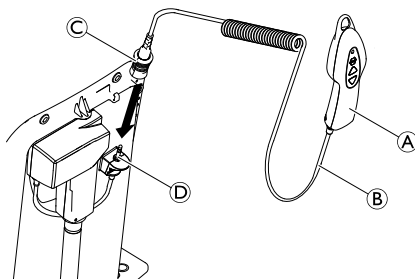
Gefahr von Beschädigungen

Beschädigung des Produkts durch Herausrutschen des Spindelfußes.

- Vergewissern Sie sich, dass die Spindel vor dem Hochklappen der Rückenlehne vollständig zurückgezogen ist und dass der Spindelfuß anliegt und nicht verdreht ist.
- Nach dem Hochklappen der Rückenlehne ist sicherzustellen, dass sich der Spindelfuß in der Spindelfußhalterung befindet.



4. Halten Sie die Rückenlehne in der Mitte des Kopfteils, und klappen Sie sie vorsichtig in die Endposition.



5. Schieben Sie die Klinkenbuchse mit der Entriegelungshülse © am Spiralkabel © des Handbedienteils © auf den Klinkenstecker ©, bis der Verriegelungsmechanismus spürbar einrastet.



WICHTIG!

Gefahr von Beschädigungen

- Achten Sie darauf, dass die Rückenlehne den Wannenrand nicht berührt.
- Stellen Sie den Badewannenlifter ggf. weiter nach vorne in die Badewanne. Um den Badewannenlifter weiter nach vorne in die Badewanne zu stellen, fahren Sie den Badewannenlifter herunter, lösen Sie die Saugnäpfe, und verstellen Sie den Wannenlift.

3.4 Aufladen des Akkus

Während der Akku geladen wird, kann der Badewannenlifter nicht verwendet werden.

1574469-C



WARNUNG!

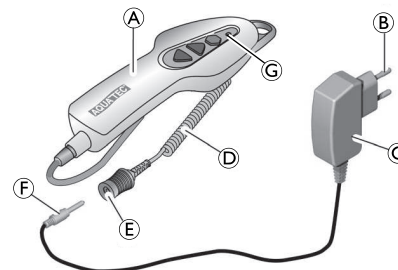
Stromschlaggefahr

- Laden Sie den Akku nur in trockenen Räumen bei Zimmertemperatur (15 °C bis 25 °C), niemals jedoch im Badezimmer.



WICHTIG!

- Verwenden Sie für das Aufladen des Akkus im Handbedienteil nur das mitgelieferte Ladegerät.
- Schließen Sie das Ladegerät nur dann an das Stromnetz an, wenn das Handbedienteil an das Ladegerät angeschlossen ist.
- Achten Sie darauf, dass die Spannungsangaben auf dem Ladegerät mit denen des Stromnetzes übereinstimmen.



1. Stecken Sie den Klinkenstecker © des Ladegeräts © in die Klinkenbuchse © des Spiralkabels © des Handbedienteils ©, bis er einrastet.
2. Stecken Sie den Netzstecker © des Ladegeräts in eine Steckdose.



Die rote Kontrollleuchte © am Handbedienteil erlischt, sobald der Akku vollständig geladen ist. Ein „Überladen“ des Akkus ist nicht möglich.

3. Ziehen Sie das Ladegerät aus der Steckdose.
4. Ziehen Sie den Klinkenstecker des Ladegeräts aus der Klinkenbuchse des Handbedienteils.

4 Verwenden

4.1 Sicherheitsinformationen



VORSICHT!

Wenn Sie den Badewannenlifter überlasten, kann dies zu Schäden am Gerät führen oder das Heben verhindern.

- Den Badewannenlifter nicht überlasten und bezüglich der Tragfähigkeit die Angaben auf dem Typschild und im Abschnitt 9.1 *Abmessungen und Gewicht, Seite 56* beachten.



VORSICHT!

Einklemmgefahr der Finger

- Nicht in die Führung zwischen Sitzplatte und Rückenlehne greifen.
- Nicht unter die Sitzplatte oder zwischen die Hubschere greifen.



WICHTIG!

In ein beschädigtes Handbedienteil kann Feuchtigkeit eindringen, was einen Kurzschluss mit Brandentwicklung verursachen könnte.

- Führen Sie vor jeder Verwendung des Produkts eine Sichtkontrolle auf äußere Schäden durch.
- Verwenden Sie das Handbedienteil nicht, wenn sein Gehäuse beschädigt ist oder Risse aufweist.
- Laden Sie den Akku vor jeder Verwendung immer vollständig auf (siehe 3.4 *Aufladen des Akkus, Seite 43*)

1. Beachten Sie die Betriebsbedingungen in Abschnitt 9.4 *Umweltparameter, Seite 57*.

4.2 Steuerung des Badewannenlifters

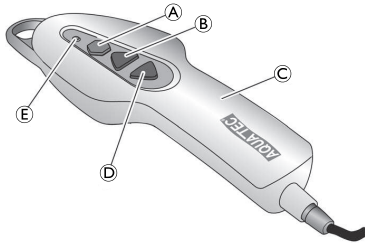
Der Badewannenlifter kann in die folgenden Richtungen bewegt werden:



Der Badewannenlifter wird – durch den Anwender oder einen Helfer – über das Handbedienteil gesteuert.



Bei voll aufgeladenem Akku können die Badewannenlifter ORCA und ORCA F fünf Badegänge mit einer Last von 140 kg durchführen. Der Badewannenlifter ORCA XL kann vier Badegänge mit einer Last von 170 kg durchführen.



! WICHTIG!
Gefahr von Beschädigungen

- Das Handbedienteil darf nur verwendet werden, wenn die Rückenlehne richtig montiert ist und sich in aufrechter Position befindet.

- ! WICHTIG!**
Wenn der Akku im Handbedienteil © keine ausreichende Ladung aufweist, leuchtet beim Drücken der Abwärts-Taste © die rote Kontrollleuchte © auf. In diesem Fall ist die Absenkfunktion des Badewannenlifters deaktiviert. Sie können den Badewannenlifter jedoch nach wie vor hochfahren.
- Laden Sie den Akku sofort nach dem Hochfahren des Badewannenlifters auf.

Hochfahren des Badewannenlifters

- ! WICHTIG!**
Ist die Rückenlehne abgesenkt, bewegt sie sich zuerst in die aufrechte Position (nicht beim Modell ORCA F).

1. Drücken Sie die Aufwärts-Taste © am Handbedienteil, und halten Sie sie gedrückt.
Die Rückenlehne bewegt sich in die aufrechte Position, oder der Sitz fährt hoch.
2. Geben Sie die Aufwärts-Taste am Handbedienteil frei.
Der Badewannenlifter stoppt in der aktuellen Position.

Herunterfahren des Badewannenlifters

- ! WICHTIG!**
Ist der Sitz bereits heruntergefahren, senkt sich die Rückenlehne nach hinten ab (nicht beim Modell ORCA F).

1. Drücken Sie die Abwärts-Taste © am Handbedienteil, und halten Sie sie gedrückt.
Der Sitz bewegt sich nach unten, oder die Rückenlehne neigt sich nach hinten.
2. Geben Sie die Abwärts-Taste am Handbedienteil frei.
Der Badewannenlifter stoppt in der aktuellen Position.

Not-Aus-Taste

- ! WICHTIG!**
Drücken Sie die Not-Aus-Taste © nur, wenn die Vorrichtung nicht sofort stoppt, wenn die Aufwärts- oder Abwärts-Taste freigegeben wird (beispielsweise weil sich die Taste verklemmt hat). Der Badewannenlifter stoppt sofort, und die im Handbedienteil integrierte rote Lampe leuchtet auf.

Wenn die rote Kontrollleuchte nach dem Freigeben der Not-Aus-Taste erlischt, ist der Fehler behoben (beispielsweise

hat sich eine verklemmte Taste wieder gelöst). Die Vorrichtung ist wieder einsatzbereit.

Wenn die rote Kontrollleuchte nach dem Freigeben der Not-Aus-Taste nicht erlischt, besteht der Fehler weiterhin. Die Vorrichtung ist nicht einsatzbereit und muss repariert werden (beispielsweise bei einem Schaden an der Elektronik).



Wenden Sie sich nötigenfalls an Ihren Anbieter.

4.3 Baden



WARNUNG! **Rutschgefahr**

Wenn die Saugnäpfe keinen guten Halt haben, kann der Badewannenlifter verrutschen.

- Vergewissern Sie sich vor der Verwendung des Badewannenlifters, dass er sicher montiert ist und nicht umkippen kann.
- Stellen Sie sicher, dass der Badewannenlifter in der Badewanne eingerichtet ist → 3.3 *Einrichten des Badewannenlifters, Seite 40.*



WARNUNG!

- Wenn Sie aufgrund Ihres Zustands nicht alleine baden können, dürfen Sie die Vorrichtung nur unter Aufsicht benutzen.
- Wenn Sie die Vorrichtung ohne Aufsicht benutzen, müssen Sie sicherstellen, dass Sie im Falle eines unvorhergesehenen Ereignisses (z. B. einer Fehlfunktion) ein Alarmsystem oder ein Telefon in Reichweite haben.



VORSICHT!



Badeöle oder -salze können das Leistungsverhalten der Hubschere beeinträchtigen.



- Bei Verwendung solcher Badezusätze darf die empfohlene Dosierung nicht überschritten werden.




WICHTIG!

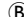
- Fahren Sie den unbelasteten Badewannenlifter einmal heraus und dann wieder herab (Funktionstest).
- Überprüfen Sie vor Verwendung die Temperatur des Badewassers.

1. Drücken Sie die Aufwärts-Taste , und halten Sie sie gedrückt, bis der Sitz auf Höhe der Wannenkante ist.
2. Achten Sie darauf, dass die Seitenklappen auf gleicher Höhe mit dem Sitz sind und flach auf dem Wannenrand aufliegen.
3. Füllen Sie die Wanne mit Wasser.
4. Setzen Sie sich auf die Ihnen nächstgelegene Seitenklappe (wie auf einen Stuhl).
5. Rutschen Sie nach hinten, bis Sie auf der Mitte des Sitzes sitzen.
6. Schwenken Sie sich in die Badeposition, indem Sie die Beine nacheinander über den Wannenrand heben.
7. Sobald Sie richtig sitzen, drücken Sie die Abwärts-Taste , und halten sie gedrückt, um den Sitz in die Badewanne herabzufahren.

 Sobald der Sitz die unterste Position erreicht hat, kann durch weiteres Gedrückthalten der Abwärts-Taste  der Winkel der Rückenlehne verstellt werden. Auf diese Weise wird eine komfortablere Badeposition erreicht, die Ihnen ein tieferes Eintauchen in das Badewasser ermöglicht (nicht beim Modell ORCA F).

8. Halten Sie die Abwärts-Taste gedrückt, bis die Rückenlehne die gewünschte Stellung eingenommen hat.

 Zum Verlassen der Badewanne führen Sie diese Schritte in umgekehrter Reihenfolge aus.

9. Um die Rückenlehne oder den Badewannenlifter hochzufahren, drücken Sie die Aufwärts-Taste  und halten Sie gedrückt, bis sich der Sitz auf Höhe des Wannenrands befindet.



WICHTIG!

- Trennen Sie das Handbedienteil von der Vorrichtung, wenn der Badewannenlifter nicht benutzt wird (siehe Schritt 3 im Abschnitt 5.2 *Entfernen des Badewannenlifters, Seite 49*).

5 Transport

5.1 Sicherheitsinformationen



VORSICHT!

Die Rückenlehne ist in eingeklapptem Zustand nicht am Sitz arretiert und kann sich von diesem lösen.

- Nehmen Sie die Saugnäpfe für den Transport des Badewannenlifters nicht ab.
- Trennen Sie das Handbedienteil für den Transport von der Rückenlehne.
- Beachten Sie die in Abschnitt 9.4 *Umweltparameter*, Seite 57 aufgeführten Transport- und Lagerbedingungen.

1. Trennen Sie das Handbedienteil.
2. Zerlegen Sie den Badewannenlifter für den Transport in zwei Teile (Sitz und Rückenlehne) → 5.2 *Entfernen des Badewannenlifters*, Seite 49.

5.2 Entfernen des Badewannenlifters

1. Lassen Sie das Wasser aus der Badewanne ab.
2. Fahren Sie den Badewannenlifter mithilfe der Abwärts-Taste herunter, bis die Rückenlehne in der abgesenkten Endlage stoppt → 4.2 *Steuerung des Badewannenlifters*, Seite 45.

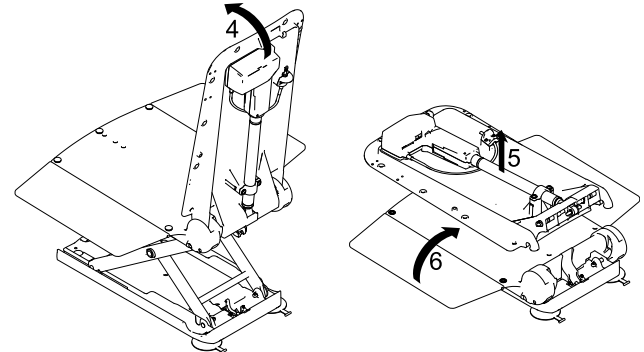
3. Entriegeln Sie die Klinkenbuchse am Spiralkabel des Handbedienteils, indem Sie die Entriegelungshülse hochschieben und vom Klinkenstecker abziehen.



WICHTIG!

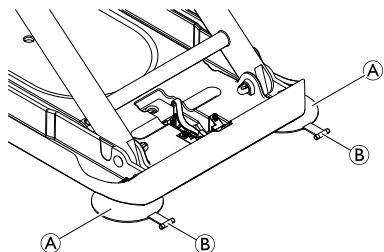
Gefahr von Beschädigungen

- Achten Sie beim Herunterklappen der Rückenlehne darauf, dass das Spiralkabel des Handbedienteils nicht eingeklemmt wird.
- Klappen Sie die Rückenlehne nicht herunter, wenn sich Wasser in der Badewanne befindet.



4. Halten Sie die Rückenlehne mit einer Hand am oberen Ende fest, und klappen Sie sie nach vorne in die Endlage.
5. Heben Sie die Rückenlehne vom Sitz ab und aus der Badewanne heraus.

6. Klappen Sie die Seitenklappen des Sitzes einwärts.



WICHTIG!

– Lösen Sie die beiden hinteren Saugnäpfe gleichzeitig.

7. Lösen Sie den hinteren Saugnäpf (A), indem Sie seine Lasche (B) hochziehen.
8. Heben Sie die Rückseite des Sitzes weiter an. Dadurch werden die vorderen Saugnäpfe gelöst.



WICHTIG!

– Wenn Höhenadapter (optional) montiert wurden, müssen Sie zum Lösen der vorderen Saugnäpfe auch deren Laschen hochziehen.

9. Heben Sie den Sitz aus der Badewanne.
10. Bewahren Sie alle Komponenten des Badewannenlifters sorgfältig auf.

6 Instandhaltung

6.1 Wartung und Inspektion

Für dieses Produkt ist keine Wartung erforderlich, sofern die aufgeführten Reinigungs- und Sicherheitshinweise beachtet werden.

! WICHTIG!

Das Handbedienteil darf nur vom Hersteller des Badewannenlifters geöffnet werden.

1. Überprüfen Sie das Produkt regelmäßig auf Schäden, und vergewissern Sie sich, dass es ordnungsgemäß zusammengebaut ist.
2. Wenn Sie eine Beschädigung feststellen und/oder eine Reparatur erforderlich ist, wenden Sie sich umgehend an Ihren Anbieter.
3. Der Badewannenlifter muss vor jedem Wiedereinsatz von einem autorisierten Anbieter überprüft werden. Es wird empfohlen, den Badewannenlifter spätestens nach 24 Monaten (gemäß EN ISO 10535) zu überprüfen.
4. Wenn der Badewannenlifter längere Zeit nicht verwendet worden ist, laden Sie den Akku vollständig auf, und fahren Sie den Badewannenlifter dreimal ohne Last heraus und herunter. Wiederholen Sie diesen Vorgang alle 3 Monate. Dies wirkt sich förderlich auf die Nutzungsdauer des Akkus aus.

6.2 Reinigung und Desinfektion

Das Produkt kann mithilfe von handelsüblichen Mitteln gereinigt und desinfiziert werden.

1. Desinfizieren Sie das Produkt, indem Sie alle direkt zugänglichen Oberflächen mit einem Desinfektionsmittel abwischen (das Produkt möglichst vor dem Desinfizieren in seine Einzelteile zerlegen).

! WICHTIG!

Alle verwendeten Reinigungs- und Desinfektionsmittel müssen wirksam und miteinander verträglich sein und das Material schützen, das mit ihnen gereinigt wird.

- Weitere Informationen zur Dekontamination in medizinischen Umgebungen finden Sie in den „Empfehlungen der Kommission für Krankenhaushygiene und Infektionsprävention“ auf der Internetseite des Robert Koch-Instituts: www.rki.de.
- Reinigen Sie das Produkt regelmäßig von Hand.
- Verwenden Sie keine scheuernden Reinigungsmittel.

Reinigung des Sitzes und der Rückenlehne



VORSICHT!

Einklemmgefahr für die Finger

- Gehen Sie bei der Reinigung im Bereich der Hebescheren besonders vorsichtig vor, da sie sich bewegen und zu Verletzungen führen können.



WICHTIG!

Gefahr von Beschädigungen

- Verwenden Sie für die Reinigung der Rückenlehne niemals einen Hochdruckreiniger.

1. Waschen Sie das Produkt mit einem Tuch oder einer Bürste ab.
2. Spülen Sie das Produkt mit warmem Wasser ab.
3. Trocknen Sie das Produkt mit einem Tuch.
4. Schmieren Sie die Führung für den Gleitschuh (Ⓜ in Abbildung 3.2) leicht mit Vaseline.

Reinigen der Bezüge (optional)



Es wird empfohlen, die Bezüge vor dem ersten Gebrauch zu waschen. Aus Hygienegründen wird empfohlen, die Bezüge regelmäßig zu reinigen und jährlich auszutauschen.

1. Knöpfen Sie den Bezug am Sitz und den Bezug an der Rückenlehne auf.
2. Waschen Sie die Bezüge mit einem milden Waschmittel bei max. 60 °C in der Waschmaschine.



WICHTIG!

Gefahr von Beschädigungen

- Waschen bei höheren Temperaturen kann dazu führen, dass die Bezüge beschädigt werden oder einlaufen.
- Trocknen Sie die Bezüge nicht im Wäschetrockner.

Reinigen des Ladegeräts und des Handbedienteils



WARNUNG!

Stromschlaggefahr

- Ziehen Sie stets den Stecker aus der Steckdose, bevor Sie das Ladegerät reinigen.
- Stecken Sie niemals Gegenstände aus leitendem Material (z. B. Stricknadeln, Metallstifte) in die Klinkenbuchse des Handbedienteils.
- Verwenden Sie niemals ein nasses oder feuchtes Tuch für die Reinigung des Ladegeräts.

1. Wischen Sie das Ladegerät mit einem trockenen Tuch ab.
2. Wischen Sie das Handbedienteil mit einem feuchten Tuch ab, und trocknen Sie es mit einem trockenen Tuch.

7 Nach dem Gebrauch

7.1 Lagerung



WICHTIG!

Beschädigungsgefahr

- Produkt nicht in der Nähe von Wärmequellen lagern.
- Direkte Sonneneinstrahlung auf das Produkt vermeiden.
- Lesen und beachten Sie die Transport- und Lagerbedingungen im Abschnitt 9.4 *Umweltparameter, Seite 57*.

7.2 Wiedereinsatz

Das Produkt ist für den Wiedereinsatz geeignet. Die Anzahl der Wiedereinsätze ist abhängig von der Nutzungshäufigkeit und Nutzungsweise des Produkts. Vor dem Wiedereinsatz das Produkt hygienisch aufbereiten (→ 6.2 *Reinigung und Desinfektion, Seite 51*) sowie die technisch-funktionelle Sicherheit des Produkts prüfen und ggf. wiederherstellen.

7.3 Entsorgung

Entsorgung und Recycling benutzter Produkte und Verpackungen müssen gemäß den einschlägigen lokalen Vorschriften erfolgen.



WARNUNG!

- Das Handbedienteil darf nicht verbrannt oder in unmittelbarer Nähe von offenen Flammen aufbewahrt werden.

Pflichtinformation gemäß Gesetz über das Inverkehrbringen, die Rücknahme und die umweltverträgliche Entsorgung von Batterien und Akkumulatoren (Batteriegelgesetz, BattG):

Dieses Produkt enthält einen wiederaufladbaren Lithium-Ionen-Akku. Entladene oder nicht mehr aufladbare Akkus dürfen nicht über den Hausmüll entsorgt werden. Alte Akkus können Schadstoffe enthalten, die möglicherweise eine Gefahr für die Umwelt und den Menschen darstellen.

Geben Sie solche Akkus bei Ihrem Anbieter oder Ihrer kommunalen Sammelstelle ab. Die Rückgabe ist kostenlos, und Sie sind von Gesetzes wegen dazu verpflichtet.

Bitte geben Sie nur entladene Akkus in die dafür vorgesehenen Behälter, und kleben Sie die Pole von Lithiumakkus vorher ab.

8 Problembehandlung

8.1 Erkennen und Beheben von Mängeln



In der folgenden Tabelle finden Sie Informationen zu Mängeln und ihren möglichen Ursachen. Sollte sich der Mangel mit der genannten Abhilfemaßnahme nicht beseitigen lassen, wenden Sie sich bitte direkt an Ihren Anbieter.

Mangel	Mögliche Ursache	Abhilfemaßnahme
Kein Motorgeräusch hörbar / Badewannenlifter bewegt sich nicht.	Die Klinkenkupplung des Handbedienteils ist nicht richtig am Klinkenstecker des Badewannenlifters angeschlossen.	Stecken Sie die Klinkenkupplung auf den Klinkenstecker → 3.3 <i>Einrichten des Badewannenlifters, Seite 40.</i>
	Der Akku ist leer.	Laden Sie den Akku vollständig auf → 3.4 <i>Aufladen des Akkus, Seite 43.</i>
	Die Kontakte sind verschmutzt.	Reinigen Sie den Stecker an der Rückenlehne → wenden Sie sich ggf. an Ihren Anbieter.
	Das Kabel ist gequetscht/beschädigt.	Tauschen Sie das Handbedienteil aus → wenden Sie sich ggf. an Ihren Anbieter.
Der Badewannenlifter kann hoch-, aber nicht heruntergefahren werden.	Der Unterspannungsschutz ist aktiviert.	Laden Sie den Akku vollständig auf → 3.4 <i>Aufladen des Akkus, Seite 43.</i>
Der Badewannenlifter stoppt beim Hochfahren.	Übermäßige Last.	Beachten Sie die maximale Belastung → 9.1 <i>Abmessungen und Gewicht, Seite 56.</i>
Der Badewannenlifter haftet nicht sicher an der Badewanne.	Die Saugnäpfe sind verschlissen oder beschädigt.	Tauschen Sie die Saugnäpfe aus → wenden Sie sich ggf. an Ihren Anbieter.

Mangel	Mögliche Ursache	Abhilfemaßnahme
Der Akku wird nicht geladen, und während des Ladevorgangs blinkt die rote Kontrollleuchte.	Die Elektronik ist schadhaft.	Lassen Sie das Handbedienteil durch einen autorisierten Anbieter überprüfen.
	Der Akku ist schadhaft.	Tauschen Sie das Handbedienteil aus.
	Das Ladegerät ist schadhaft.	Lassen Sie das Ladegerät durch einen autorisierten Anbieter überprüfen.
	Der Akku ist zu heiß.	Laden Sie das Handbedienteil nicht in der Nähe von Wärmequellen (z. B. Heizelemente, direkte Sonneneinstrahlung) auf. Der Ladevorgang wird automatisch fortgesetzt, sobald die Temperatur wieder auf zulässige Werte abgefallen ist.

9 Technische Daten

9.1 Abmessungen und Gewicht

Gesamtlänge in der niedrigsten Position	920 mm
Gesamtlänge in der höchsten Position	650 mm
Gesamthöhe in der höchsten Position	1075 mm
Länge Sitz	590 mm
Breite Sitz bei ausgeklappten Seitenklappen	715 mm
Breite Sitz bei eingeklappten Seitenklappen	390 mm
Höhe des Sitzes in tiefster Position	60 mm
Höhe des Sitzes in höchster Position	420 mm
Breite der Rückenlehne	360 mm
Mindestwinkel der Rückenlehne	8°
Breite der Grundplatte	295 mm
Belastung max. (ORCA / ORCA F) Belastung max. (ORCA XL)	140 kg 170 kg
Gesamtgewicht ohne Handbedienteil* (ORCA) (ORCA F) (ORCA XL)	10,8 kg 11,4 kg 11,6 kg
Gewicht Sitz* (ORCA) (ORCA F) (ORCA XL)	6,6 kg 7,2 kg 7,4 kg

Gewicht Rückenlehne* (ORCA / ORCA F / ORCA XL)	4,2 kg
Gewicht Handbedienteil	0,4 kg
Gewicht Ladegerät	0,1 kg

* Für Produkte mit Produktionsdatum vor Mai 2015 gelten folgende Gewichte:

Gesamtgewicht ohne Handbedienteil	12,1 kg
Gewicht Sitz	7,5 kg
Gewicht Rückenlehne	4,6 kg



Das Produktionsdatum ist auf dem Typenschild zu finden.

9.2 Elektrische Daten

Betätigungskraft für die Tasten des Handbedienteils	< 5 N
Betriebsspannung des Handbedienteils ¹⁾	10,8 V DC / 14 V DC
Nenneingangsleistung ¹⁾	43 VA / 56 VA
Nennstrom	4 A
Akkutyp	Lithium-Ionen
Ladegeräteeingang	100–240 V AC, 50 Hz – 60 Hz

Ladegeräteausgang	24 V DC, 135 mA, 3 VA
Ladezeit ab Warnung vor niedriger Spannung	etwa 4,5 h
Schutzart (Antrieb)	IPX6W ²⁾
Schutzart (Handbedienteil)	IP67 ³⁾
Schutzart (Produkt insgesamt)	IPX6 ⁴⁾
Schalleistungspegel	52 dB(A)

Der Verstellmotor schaltet sich bei Überlastung des Produkts nicht ab. Um Schäden zu vermeiden, darf der Badewannenlifter nicht überlastet werden.

¹⁾ Die Angabe „10,8 V DC / 43 VA“ gilt für Handbedienteile mit 10,8 V Betriebsspannung (siehe Angabe an der Unterseite des Handbedienteils).
Die Angabe „14 V DC / 56 VA“ gilt für Handbedienteile mit 14 V Betriebsspannung (siehe Angabe an der Unterseite des Handbedienteils).

²⁾ Schutz gegen das Eindringen von Wasser bei starkem Strahlwasser, geprüft bei festgelegten Wetterbedingungen.

³⁾ Staubdicht und geschützt gegen das Eindringen von Wasser bei zeitweiligem Untertauchen.

⁴⁾ Schutz gegen das Eindringen von Wasser bei starkem Strahlwasser.

9.3 Materialien

Rückenlehne	PPGF
Sitzplatte	PPGF
Bezüge	PVC



Alle verwendeten Materialien sind korrosionsbeständig und Latex-frei.

9.4 Umweltparameter

Betriebsbedingungen	
Umgebungstemperatur	10 - 40 °C
Relative Luftfeuchtigkeit	15 % - 93 %, nicht kondensierend
Luftdruck	795 - 1060 hPa
Lager- und Transportbedingungen	
Umgebungstemperatur	0 - 40 °C
Relative Luftfeuchtigkeit	30 % - 75 %, nicht kondensierend
Luftdruck	795 - 1060 hPa

10 Elektromagnetische Verträglichkeit (EMV)

10.1 Allgemeine Informationen zu Elektromagnetischer Verträglichkeit (EMV)

Medizinische elektrische Geräte müssen gemäß den EMV-Informationen in diesem Handbuch installiert und verwendet werden.

Dieses Produkt wurde getestet und erfüllt die in IEC/EN 60601-1-2 für Ausrüstung der Klasse B angegebenen EMV-Grenzwerte.

Tragbare und mobile HF-Kommunikationsgeräte können den Betrieb dieses Produkts beeinträchtigen.

Andere Geräte können selbst durch elektromagnetische Emissionen, die den unteren Grenzwerten gemäß der genannten Norm entsprechen, Störungen empfangen. Schalten Sie dieses Produkt ein und wieder aus, um zu ermitteln, ob die Emissionen des Produkts für die Störung verantwortlich sind. Falls die Störungen des anderen Geräts nicht weiter auftreten, wurden sie von diesem Produkt verursacht. In derartigen seltenen Fällen können die Störungen mit einer der folgenden Maßnahmen abgeschwächt oder behoben werden:

- Stellen Sie das Gerät an einer anderen Position oder einem anderen Standort auf oder vergrößern Sie den Abstand zwischen den Geräten.

10.2 Elektromagnetische Emissionen

Leitlinien und Herstellererklärung

Dieses Produkt ist zur Verwendung in der nachfolgend definierten elektromagnetischen Umgebung vorgesehen. Der Käufer oder Anwender dieses Produkts muss sicherstellen, dass es in einer solchen Umgebung verwendet wird.

Emissionstest	Konformität	Elektromagnetische Umgebung – Anleitung
HF-Emissionen CISPR 11	Gruppe I	Dieses Produkt nutzt HF-Energie nur für seine internen Funktionen. Aus diesem Grund sind die HF-Emissionen sehr gering und verursachen aller Voraussicht nach keine Störungen bei elektronischen Geräten in der Nähe.
HF-Emissionen CISPR 11	Klasse B	Das Produkt eignet sich für die Verwendung in allen Arten von Einrichtungen, darunter Wohnbereiche und Umgebungen, die direkt mit dem öffentlichen Niederspannungsnetz zur Versorgung von Wohngebäuden verbunden sind.

Oberwellen- emissionen IEC 61000-3-2	Klasse A	
Spannungs- fluktuationen/ Flimmer- Emissionen IEC 61000-3-3	Die Bestimmungen werden eingehalten.	


10.3 Elektromagnetische Störfestigkeit

Leitlinien und Herstellererklärung

Dieses Produkt ist zur Verwendung in der nachfolgend definierten elektromagnetischen Umgebung vorgesehen. Der Käufer oder Anwender dieses Produkts muss sicherstellen, dass es in einer solchen Umgebung verwendet wird.

Störfestigkeitstest	Test-/ Konformitätswert	Elektromagnetische Umgebung – Anleitung
Elektrostatische Entladung (ESD) IEC 61000-4-2	± 8 kV Kontaktentladung ± 2 kV, ± 4 kV, ± 8 kV, 15 kV Luft	Der Fußboden muss aus Holz, Beton oder Keramikfliesen bestehen. Ist der Boden mit synthetischem Material bedeckt, muss die relative Luftfeuchtigkeit mindestens 30 % betragen.
Transiente elektrische Störgrößen/ Bursts IEC 61000-4-4	± 2 kV für Energieleitungen; 100 kHz Wiederholfrequenz ± 1 kV für Eingangs-/ Ausgangsleitungen; 100 kHz Wiederholfrequenz	Die Netzstromqualität muss der einer typischen gewerblichen oder Krankenhausumgebung entsprechen.

Störfestigkeitstest	Test-/ Konformitätswert	Elektromagnetische Umgebung – Anleitung
Stoßspannung IEC 61000-4-5	± 1 kV zwischen Leitungen ± 2 kV zwischen Leitung und Erdung	Die Netzstromqualität muss der einer typischen gewerblichen oder Krankenhausumgebung entsprechen.
Spannungsabfälle, kurze Unterbrechungen und Spannungsschwankungen in den Stromversorgungsleitungen IEC 61000-4-11	< 0 % U_T für halben Zyklus bei 45°-Schritten 0 % U_T für ganze Zyklen 70 % U_T für 25/30 Zyklen < 5 % U_T für 250/300 Zyklen	Die Netzstromqualität muss der einer typischen gewerblichen oder Krankenhausumgebung entsprechen. Benötigt der Anwender dieses Produkts auch bei Unterbrechungen der Stromversorgung Zugriff auf dessen Funktionen, wird empfohlen, das Produkt über eine unterbrechungsfreie Spannungsversorgung oder eine Batterie zu betreiben. U_T bezeichnet die Nennnetzspannung.
Netzfrequenz (50/60 Hz) Magnetfeld IEC 61000-4-8	30 A/m	Die Störfestigkeit gegen Magnetfelder gilt bei Feldstärken, wie sie in einer typischen gewerblichen oder klinischen Umgebung auftreten können.

Störfestigkeitstest	Test-/ Konformitätswert	Elektromagnetische Umgebung – Anleitung
Leitungsgeführte HF-Störgrößen IEC 61000-4-6	3 V 150 kHz bis 80 MHz 6 V in ISM- & Amateur-Funkbändern	Feldstärken fester Sender, z. B. Basisstationen für Funktelefone (mobil/schnurlos) und Landfunkgeräte, Amateurfunk, AM- und FM-Sender sowie TV-Sender können nicht genau vorhergesagt werden. Für die Beurteilung der elektromagnetischen Umgebung von ortsfesten HF-Sendern muss eine Standortaufnahme durchgeführt werden. Übersteigt die gemessene Feldstärke am Verwendungsort dieses Produkts den oben genannten HF-Konformitätswert, muss dieses Produkt auf einen normalen Betrieb geprüft werden. Bei nicht normaler Funktion sind weitere Maßnahmen erforderlich, z. B. Neuausrichtung oder Verlagerung des Produkts. In der Nähe von Geräten, die mit folgendem Symbol gekennzeichnet sind, kann es zu Störungen kommen: 
Ausgestrahlte HF-Störgrößen IEC 61000-4-3	10 V/m 80 MHz bis 2,7 GHz 385 MHz - 5785 MHz Testspezifikationen für Störfestigkeit gegen HF-Geräte für kabellose Kommunikation siehe Tabelle 9 der Norm IEC 60601-1-2:2014.	Tragbare und mobile HF-Kommunikationsgeräte müssen mit einem Abstand von mindestens 30 cm zu einem beliebigen Teil dieses Produkts einschließlich der Kabel verwendet werden.



Diese Richtlinien werden möglicherweise nicht allen Situationen gerecht. Die Ausbreitung elektromagnetischer Felder wird durch Absorption und Reflektion aufgrund von Bauten, Objekten und Personen beeinflusst.

Sommaire

Ce manuel DOIT être remis à l'utilisateur du produit. Lire ce manuel AVANT d'utiliser ce produit, et le conserver en cas de besoin.

1 Généralités	64
1.1 Introduction	64
1.2 Symboles figurant dans ce manuel	64
1.3 Garantie	65
1.4 Conformité	65
1.4.1 Normes spécifiques au produit	65
1.5 Utilisation conforme	65
1.6 Durée de vie	66
2 Sécurité	67
2.1 Informations de sécurité	67
2.2 Informations de sécurité relatives à la compatibilité électromagnétique	68
2.3 Étiquettes et symboles figurant sur le produit	69
3 Réglages (Mise en service)	71
3.1 Informations de sécurité	71
3.2 Contenu	71
3.3 Montage de l'élévateur de bain	73
3.4 Recharge de la batterie	76
4 Utilisation	78
4.1 Informations sur la sécurité	78
4.2 Contrôle de l'élévateur de bain	78
4.3 Bain	80
5 Transport	82
5.1 Informations de sécurité	82
5.2 Démontage de l'élévateur de bain	82
6 Maintenance	84
6.1 Maintenance et entretien	84

6.2 Nettoyage et désinfection	84
7 Après l'utilisation	86
7.1 Stockage	86
7.2 Réutilisation	86
7.3 Mise au rebut	86
8 Dépannage	87
8.1 Identification et résolution des pannes	87
9 Caractéristiques Techniques	89
9.1 Dimensions et poids	89
9.2 Données électroniques	89
9.3 Matériaux	90
9.4 Paramètres environnementaux	90
10 Compatibilité électromagnétique (CEM)	91
10.1 Informations relatives aux interférences électromagnétiques	91
10.2 Émissions électromagnétiques	91
10.3 Immunité électromagnétique	92

1 Généralités

1.1 Introduction

Le présent manuel d'utilisation contient des informations importantes sur la manipulation du produit. Pour garantir une utilisation en toute sécurité du produit, lisez attentivement le manuel d'utilisation et respectez les instructions de sécurité.

Veillez noter que certaines sections du présent manuel d'utilisation peuvent ne pas s'appliquer à votre produit, étant donné que le manuel concerne tous les modèles disponibles (à la date d'impression). Sauf mention contraire, chaque section de ce manuel se rapporte à tous les modèles du produit.

Les modèles et les configurations disponibles dans votre pays sont répertoriés dans le catalogue de tarifs spécifique au pays.

Invacare se réserve le droit de modifier les caractéristiques des produits sans préavis.

Avant de lire ce manuel, assurez-vous de disposer de la version la plus récente. Cette version est disponible au format PDF sur le site Internet d'Invacare.

Si la taille des caractères de la version imprimée du manuel d'utilisation vous semble trop difficile à lire, vous pouvez le télécharger au format PDF sur le site Internet. Vous pourrez alors ajuster la taille des caractères à l'écran pour améliorer votre confort visuel.

Pour obtenir plus d'informations sur le produit, comme les avis de sécurité ou les rappels du produit, contactez votre

représentant Invacare local. Reportez-vous aux adresses indiquées à la fin du présent document.

1.2 Symboles figurant dans ce manuel

Dans le présent manuel, les mises en garde sont signalées par des symboles. Ces symboles sont accompagnés d'un titre indiquant le niveau de danger.



AVERTISSEMENT

Indique une situation dangereuse qui, si elle n'est pas évitée, est susceptible de provoquer des blessures graves, voire mortelles.



ATTENTION

Indique une situation dangereuse qui, si elle n'est pas évitée, est susceptible de provoquer des blessures mineures ou légères.



IMPORTANT

Indique une situation dangereuse qui, si elle n'est pas évitée, est susceptible de provoquer des dommages matériels.



Conseils et recommandations

Donne des conseils, recommandations et informations utiles pour une utilisation efficace et sans souci.



Ce produit est conforme à la Directive 93/42/CEE sur les dispositifs médicaux. La date de lancement de ce produit est indiquée dans la déclaration de conformité CE.



Fabricant du produit.

1.3 Garantie

Nous fournissons une garantie fabricant pour le produit, conformément à nos conditions générales de vente en vigueur dans les différents pays. Les réclamations au titre de la garantie ne peuvent être adressées qu'au fournisseur auprès duquel l'appareil a été obtenu.

Les housses et les ventouses ne sont pas couvertes par la garantie.

1.4 Conformité

La qualité est un élément fondamental du fonctionnement de notre entreprise, qui travaille conformément à la norme ISO 13485.

Le présent produit porte le marquage CE, en conformité avec la Directive relative aux dispositifs médicaux 93/42/EEC Classe 1.

Nous nous efforçons en permanence de réduire au minimum notre impact sur l'environnement, à l'échelle locale et mondiale.

Nous n'utilisons que des matériaux et composants conformes au règlement REACH.

1574469-C

Nous respectons la législation en vigueur en matière d'environnement, notamment, les directives DEEE et RoHS.

1.4.1 Normes spécifiques au produit

Ce produit respecte les obligations de la norme ISO 10535 (Produits d'assistance pour personnes en situation de handicap).

Pour obtenir de plus amples informations, veuillez contacter Invacare dans votre pays (adresses figurant à la fin du présent document).

1.5 Utilisation conforme

Les élévateurs de bain facilitent l'entrée et la sortie de la baignoire. Ils sont exclusivement conçus pour faciliter le bain des personnes à mobilité réduite. Toute autre utilisation est interdite.

Indications

- Réduction significative de la fonction / fonctionnalités manquantes des membres supérieurs et/ou inférieurs (telles que : amputations, paralysie, troubles articulaires, troubles neuromusculaires présentant un handicap des membres), quand l'entrée et la sortie indépendantes de la baignoire qui nécessitent de s'asseoir et de se lever ne sont plus possibles ; le contrôle du tronc et la capacité fonctionnelle de base des membres doivent encore être suffisants.

- Les conséquences chroniques de la maladie présentant des limitations fonctionnelles des membres supérieurs et/ou inférieurs, qui ne permettent plus un bain indépendant, mais quand un bain largement indépendant est possible grâce l'utilisation de l'élévateur de bain et que d'autres aides au bain pour compenser le handicap ne sont pas suffisantes.

Contre-indications

Il n'existe aucune contre-indication associée à l'utilisation appropriée de ce produit.

1.6 Durée de vie

La durée de vie attendue de ce produit est de cinq ans lorsqu'il est utilisé quotidiennement et dans le respect des consignes de sécurité, des intervalles de maintenance et avec une utilisation correcte, comme indiqué dans le présent manuel. La durée de vie effective peut varier en fonction de la fréquence et de l'intensité de l'utilisation.

2 Sécurité

2.1 Informations de sécurité

**AVERTISSEMENT !**

- N'utilisez pas ce produit ni tout autre équipement disponible en option sans avoir lu et compris entièrement les présentes instructions et toute autre documentation d'instructions supplémentaire, telle que les manuels d'utilisation, les manuels d'entretien ou fiches d'instructions fournis avec ce produit ou l'équipement en option. Les manuels des produits Invacare sont disponibles sur Internet ou auprès de votre revendeur local (les adresses sont indiquées au dos du présent manuel).
- Si vous ne comprenez pas les avertissements, mises en garde ou instructions, veuillez contacter un professionnel des soins de santé, un revendeur ou un technicien avant d'essayer d'utiliser cet équipement, sous peine de dommages ou de blessures.

**AVERTISSEMENT !****Risque de blessure**

- N'utilisez pas le produit s'il est défectueux.
- En cas de dysfonctionnement, contactez immédiatement votre revendeur.
- Ne procédez à aucune modification non autorisée et ne transformez pas le produit.
- Utilisez uniquement les pièces de rechange conçues pour ce produit.

**AVERTISSEMENT !****Risque de blessure**

- Ne vous tenez jamais debout sur l'élévateur de bain pour rentrer dans la baignoire ou en sortir, ne l'utilisez pas pour monter ou descendre, ni comme plate-forme de levage ou tout autre usage similaire.

**IMPORTANT !**

- Les informations contenues dans ce document peuvent être modifiées sans préavis.
- Vérifiez l'absence de dommages dus au transport sur toutes les pièces et testez-les avant utilisation.

2.2 Informations de sécurité relatives à la compatibilité électromagnétique



AVERTISSEMENT !

Risque de dysfonctionnement dû aux interférences électromagnétiques

Des interférences électromagnétiques peuvent se produire entre ce produit et d'autres équipements électriques et affecter les fonctions de réglage électrique de ce produit. Pour prévenir, réduire ou éliminer ces interférences électromagnétiques :

- Veillez à utiliser uniquement des câbles, accessoires et pièces de rechange d'origine, afin de ne pas accroître les émissions électromagnétiques, ni réduire l'immunité électromagnétique de ce produit.
- N'utilisez aucun équipement de communication portable à fréquences radioélectriques (RF) à moins de 30 cm d'une partie quelconque de ce produit (câbles compris).
- N'utilisez pas ce produit à proximité d'un équipement chirurgical actif à haute fréquence, ni d'une salle d'imagerie à résonance magnétique avec blindage RF, où l'intensité des perturbations électromagnétiques est élevée.
- En cas de perturbations, augmentez la distance entre ce produit et l'autre équipement ou mettez ce dernier hors tension.
- Reportez-vous aux informations détaillées figurant au chapitre *10 Compatibilité électromagnétique (CEM)*, page 91 et suivez les recommandations.

**AVERTISSEMENT !****Risque de dysfonctionnement**

Des interférences électromagnétiques peuvent affecter le fonctionnement.

- Lorsque vous l'utilisez, ce produit ne doit pas être placé à côté ou sur un autre équipement électrique. Si cela est nécessaire, il est indispensable d'inspecter rigoureusement ce produit et l'autre équipement afin de vérifier qu'ils fonctionnent normalement.

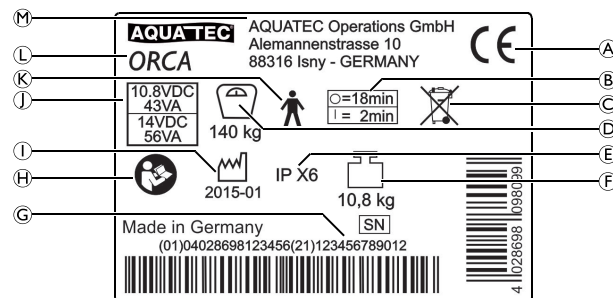


Nous n'avons connaissance d'aucun risque en cas d'utilisation de produits comme un stimulateur cardiaque.

2.3 Étiquettes et symboles figurant sur le produit

Autocollant d'identification

L'autocollant d'identification fournit des informations importantes :



(A)	Marque de conformité
(B)	Intervalle d'utilisation (le fonctionnement continu du moteur est interdit) : utilisation continue de 2 minutes maximum suivie par une interruption de 18 minutes
(C)	Remarque (élimination)
(D)	Poids maximal de l'utilisateur
(E)	Type de protection
(F)	Poids du produit
(G)	Numéro de série
(H)	Consultez le manuel d'utilisation
(I)	Date de production
(J)	Tension/puissance nominale, reportez-vous à 9.2 <i>Données électroniques, page 89</i>
(K)	Pièce appliquée de type B

Ⓛ	Désignation du produit
Ⓜ	Fabricant



L'autocollant d'identification se trouve à l'arrière du dossier.

3 Réglages (Mise en service)

3.1 Informations de sécurité



IMPORTANT !

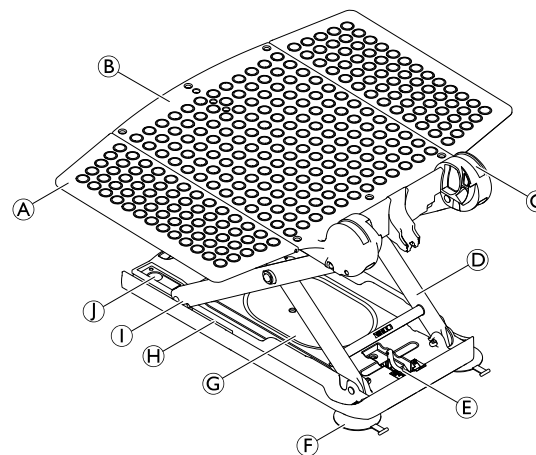
- Vérifiez les pièces afin de vous assurer de l'absence de dommages causés pendant le transport avant toute mise en service. En cas de dommages, contactez votre revendeur.
- Lors du montage, assurez-vous que les pièces sont correctement positionnées les unes par rapport aux autres.
- Il est conseillé de nettoyer les housses avant la première utilisation. Reportez-vous au chapitre 6.2 *Nettoyage et désinfection*, page 84.

3.2 Contenu

Ce manuel d'utilisation se rapporte aux modèles ORCA, ORCA F et ORCA XL. Ces modèles diffèrent au niveau du poids et du poids maximum de l'utilisateur. Reportez-vous à la section 9.1 *Dimensions et poids*, page 89. Une housse de siège et une toile de dossier sont disponibles en option pour les trois modèles. Le dossier ne peut pas être abaissé sur le modèle ORCA F.

Les composants suivants sont inclus lors de la livraison :

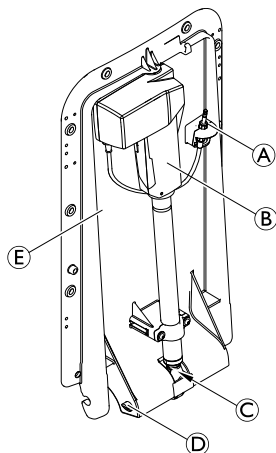
Siège



(A)	Rabat latéral
(B)	Plaque d'assise
(C)	Charnière du dossier
(D)	Ciseaux de levage
(E)	Mécanisme de retenue du pied de la tige
(F)	Ventouses arrière (deux languettes à filetage)
(G)	Embase
(H)	Glissière du patin

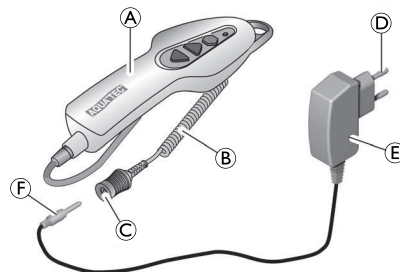
①	Patin
①	Ventouses avant (une languette à tête)

Dossier



Ⓐ	Fiche jack
Ⓑ	Entraînement
Ⓒ	Pied de la tige
Ⓓ	Goupille de verrouillage
Ⓔ	Plaque, dossier

Télécommande et chargeur



Ⓐ	Télécommande avec batterie
Ⓑ	Câble spiralé de la télécommande
Ⓒ	Prise jack de la télécommande
Ⓓ	Fiche secteur
Ⓔ	Chargeur
Ⓕ	Fiche jack du chargeur

3.3 Montage de l'élévateur de bain



AVERTISSEMENT !

Risque de glissement

L'élévateur de bain risque de glisser si les ventouses sont mal fixées.

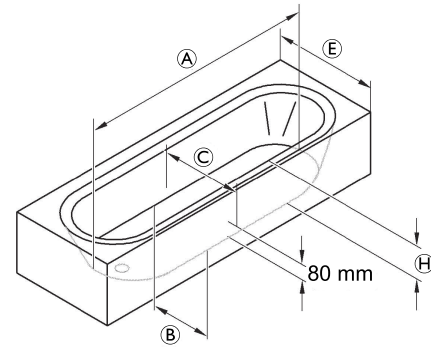
- Nettoyez la baignoire et les ventouses à l'aide d'un chiffon humide avant de mettre en place l'élévateur de bain.
- Ne modifiez pas la position de l'élévateur de bain dans la baignoire une fois l'installation terminée.



AVERTISSEMENT !

Risque de blessures ou de dommage matériel !

- Installez l'élévateur de bain uniquement dans des baignoires conformes aux spécifications du tableau suivant.
- Si un débordement latéral est présent dans la baignoire, utilisez les rabats latéraux spéciaux (disponibles en accessoire).

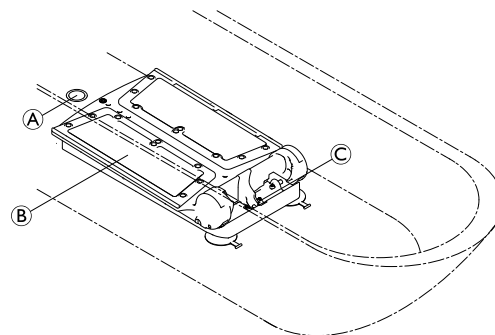


Ⓐ	Longueur de la baignoire, fond	≥ 800 mm
Ⓑ	Largeur de la baignoire, fond (intérieur)	≥ 280 mm
Ⓒ	Largeur de la baignoire, à 80 mm de haut (intérieur)	≥ 430 mm

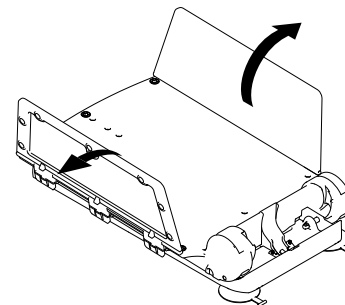
E	Largeur de la baignoire (externe)	580 - 690 mm (avec rabats latéraux spéciaux) 700 - 740 mm (avec rabats latéraux standard) 750 - 1 000 mm (avec rabats latéraux spéciaux)
H	Hauteur de la baignoire (intérieur)	≤ 420 mm (avec adaptateur de hauteur, + 60 mm maxi.)

! IMPORTANT !

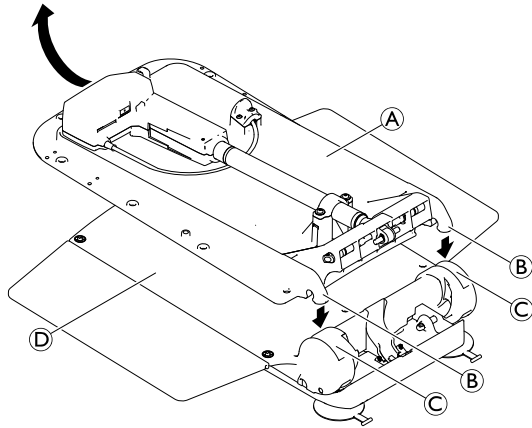
- Vérifiez si les ventouses sont installées correctement.
- Assurez-vous que la batterie de la télécommande est chargée.
- Assurez-vous que le pied de la tige est entièrement inséré.
- Lorsque vous soulevez les composants de l'élévateur de bain, n'oubliez pas d'évaluer correctement les poids, voir la section 9.1 *Dimensions et poids, page 89*.
- Si la baignoire est équipée de main courante interne, utilisez les écarteurs de rabats latéraux (disponibles en tant qu'accessoire).
- Pliez les rabats latéraux vers l'extérieur avant de rabattre le dossier.



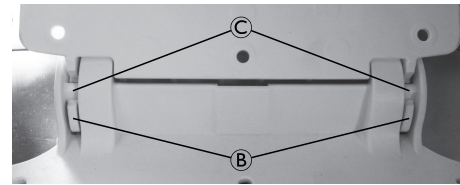
1. Placez l'assise B au fond de la baignoire vide. Assurez-vous que le mécanisme de retenue du pied de la tige C est dirigé vers l'extrémité de la baignoire opposée à la bonde A.



2. Pliez les rabats latéraux de l'assise vers l'extérieur.



3. Placez le dossier **A** (sans la télécommande) sur le siège afin que les crochets **B** du dossier s'adaptent sur les charnières **C** de la plaque d'assise **D**.



! **IMPORTANT !**

Risque de dommage matériel

Le produit peut être endommagé si le dossier n'est pas correctement monté.

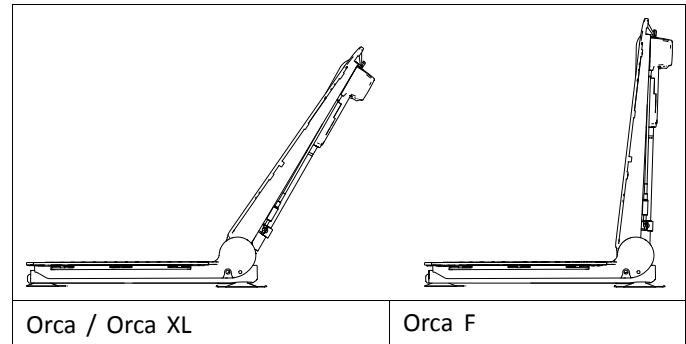
- Assurez-vous que les deux crochets **B** du dossier s'engagent dans les charnières **C** de la plaque d'assise.
- Vérifiez que le dossier est rabattu en position finale sans exercer de force et de résistance notable. La position finale est indiquée dans le schéma ci-après.

! **IMPORTANT !**

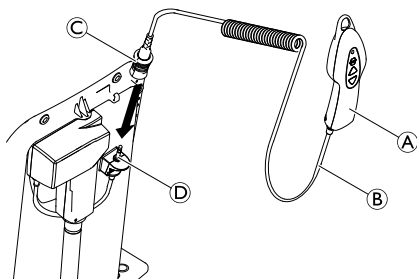
Risque de dommage matériel

Le produit peut être endommagé en cas de glissement du pied de la tige.

- Avant de rabattre le dossier, assurez-vous que la tige est entièrement rentrée et que le pied de la tige est de niveau et non tordu.
- Après avoir déplié le dossier, assurez-vous que le pied de la tige se trouve dans son logement.



- Maintenez le dossier au centre de l'extrémité côté tête et rabattez-le avec précaution en position finale.



- Branchez la prise jack avec le manchon de déverrouillage © du câble spiralé © de la télécommande © sur la fiche jack © jusqu'à ce que le mécanisme de blocage s'engage de manière évidente.



IMPORTANT !

Risque de dommage matériel

- Veillez à ce que le dossier ne soit pas en contact avec le bord de la baignoire.
- Si nécessaire, positionnez l'élévateur de bain plus vers l'avant de la baignoire. Pour faire avancer davantage l'élévateur de bain dans la baignoire, abaissez l'élévateur de bain jusqu'au fond, desserrez les ventouses et déplacez l'élévateur de bain.

3.4 Recharge de la batterie

Il n'est pas possible d'utiliser l'élévateur de bain pendant le chargement de la batterie.



AVERTISSEMENT !

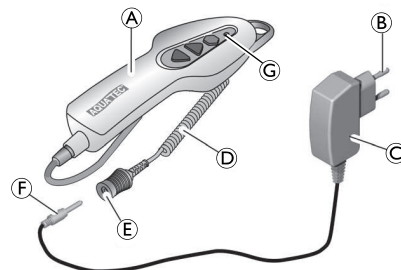
Risque de choc électrique

- Rechargez uniquement la batterie dans des pièces sèches à température ambiante (de 15 °C à 25 °C), jamais dans la salle de bain.



IMPORTANT !

- Ne chargez la batterie de la télécommande qu'avec le chargeur fournit avec la batterie.
- Ne branchez le chargeur sur le secteur que lorsque la télécommande est raccordée au chargeur.
- Vérifiez que les caractéristiques de tension affichées sur le chargeur correspondent à celles du secteur.



- Insérez la fiche jack © du chargeur © dans la prise jack © du câble spiralé © de la télécommande © jusqu'à ce qu'elle s'enclenche.
- Branchez la fiche secteur © du chargeur sur une prise électrique.



Le témoin lumineux rouge © de la télécommande s'éteint lorsque la batterie est complètement chargée. Il n'est pas possible de charger excessivement la batterie.

3. Débranchez le chargeur de la prise électrique.
4. Débranchez la fiche jack du chargeur de la prise jack située sur la télécommande.

4 Utilisation

4.1 Informations sur la sécurité



ATTENTION !

La surcharge de l'élévateur de bain peut endommager l'appareil ou empêcher le levage.

- Ne surchargez pas l'élévateur de bain et observez les caractéristiques techniques de l'étiquette d'identification et de la section 9.1 *Dimensions et poids, page 89*, relativement à la charge utile maximum.



ATTENTION !

Risque de pincement pour les doigts

- Ne placez pas les doigts dans les rainures entre la plaque d'assise et le dossier.
- Ne passez pas les mains sous la plaque d'assise ni entre les croisillons de levage.



IMPORTANT !

De l'humidité peut pénétrer dans une télécommande endommagée, risquant d'entraîner un court-circuit et un incendie.

- Effectuez toujours une inspection visuelle du produit afin de détecter toute détérioration avant chaque usage.
- Si le boîtier de la télécommande est endommagé ou présente des fissures, n'utilisez pas celle-ci.
- Rechargez entièrement la batterie avant chaque utilisation, 3.4 *Recharge de la batterie, page 76*.

1. Se reporter aux conditions de fonctionnement figurant dans la section 9.4 *Paramètres environnementaux, page 90*.

4.2 Contrôle de l'élévateur de bain

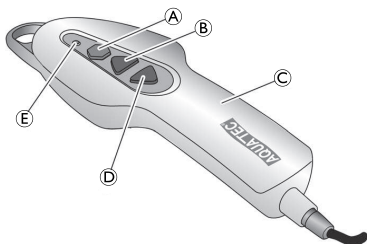
L'élévateur de bain peut être déplacé dans les directions suivantes :



L'utilisateur ou une tierce-personne contrôle l'élévateur de bain par la télécommande.



Avec une batterie complètement chargée, les systèmes ORCA et ORCA F peuvent servir pour cinq baignoires avec une charge de 140 kg. L'ORCA XL peut assurer quatre baignoires avec une charge de 170 kg.



! IMPORTANT !

Risque de dommage matériel

– La télécommande peut uniquement être utilisée lorsque le dossier est correctement installé en position verticale.

! IMPORTANT !

Si la batterie de la télécommande © n'est pas suffisamment chargée, le témoin lumineux rouge ⑤ s'allume si vous appuyez sur le bouton Bas ④. La fonction d'abaissement de l'élévateur de bain est alors désactivée. Néanmoins, il est toujours possible de lever l'élévateur.

– Rechargez immédiatement la batterie une fois que l'élévateur de bain a été levé.

Levage de l'élévateur de bain

! IMPORTANT !

Si le dossier est abaissé, il doit tout d'abord être redressé en position verticale (sauf sur le modèle ORCA F).

1. Appuyez sur le bouton Haut ② de la télécommande et maintenez-le enfoncé.
Le dossier passe en position droite ou l'assise se déplace vers le haut.
2. Relâchez le bouton Haut de la télécommande.
L'élévateur de bain s'arrête dans la position actuelle.

Abaissement de l'élévateur de bain

! IMPORTANT !


Si le siège est déjà abaissé, le dossier s'abaisse vers l'arrière (sauf sur le modèle ORCA F).

1. Appuyez sur le bouton Bas ④ de la télécommande et maintenez-le enfoncé.
Le siège se déplace vers le bas ou le dossier bascule vers l'arrière.
2. Relâchez le bouton Bas de la télécommande.
L'élévateur de bain s'arrête dans la position actuelle.

Interrupteur d'arrêt d'urgence



IMPORTANT !

Appuyez uniquement sur le bouton d'arrêt d'urgence  si l'appareil ne s'arrête pas immédiatement lorsque le bouton Haut ou Bas est relâché (par ex. si un bouton se bloque). L'élévateur de bain s'arrête immédiatement et le témoin rouge de la télécommande s'allume.

Si le témoin lumineux rouge s'éteint lorsque le bouton d'arrêt d'urgence est relâché, le problème a été résolu (p. ex. le bouton est à nouveau relâché). L'appareil peut à nouveau être utilisé.

Si le témoin lumineux rouge reste allumé après avoir relâché de bouton d'arrêt d'urgence, le problème n'a pas été résolu. L'appareil n'est pas prêt à être utilisé et doit être réparé (p. ex. problème électronique).



Contactez votre fournisseur spécialisé, le cas échéant.

4.3 Bain



AVERTISSEMENT !

Risque de glissement

L'élévateur de bain risque de glisser si les ventouses sont mal fixées.

- Avant d'utiliser l'élévateur de bain, assurez-vous qu'il est bien positionné et qu'il ne risque pas de basculer.
- Assurez-vous que l'élévateur de bain est installé dans la baignoire, → 3.3 *Montage de l'élévateur de bain*, page 73.



AVERTISSEMENT !

- Si votre état de santé ne vous permet pas de prendre un bain de votre propre compte, utilisez l'appareil uniquement sous surveillance.
- Si le dispositif est utilisé sans surveillance, un système d'alarme ou un téléphone doit être placé à portée de main en cas de problème imprévu (par ex. dysfonctionnements)



ATTENTION !

Les sels et les huiles de bain peuvent nuire au fonctionnement des ciseaux de levage.

- Si vous utilisez des produits de bain de ce type, ne dépassez pas la dose recommandée.

! **IMPORTANT !**

- Faites fonctionner l'élévateur une fois à vide jusqu'en haut puis jusqu'en bas (test de fonctionnement).
- Avant l'utilisation, vérifiez la température de l'eau du bain.

1. Appuyez sur le bouton Haut **Ⓑ** et maintenez-le enfoncé jusqu'à ce que le siège se trouve au niveau du bord de la baignoire.
2. Assurez-vous que les rabats latéraux se trouvent au même niveau que le siège et qu'ils reposent à plat sur le bord de la baignoire.
3. Remplissez la baignoire d'eau.
4. Asseyez-vous sur le rabat latéral le plus proche de vous, comme sur une chaise.
5. Glissez vers l'arrière jusqu'à ce que vous vous trouviez au milieu de l'assise.
6. Tournez-vous en position de bain en levant une jambe puis l'autre par-dessus le bord de la baignoire.
7. Une fois assis correctement, appuyez sur le bouton Bas **Ⓒ** et maintenez-le enfoncé afin d'abaisser l'assise dans la baignoire.

i Lorsque l'assise a atteint la position la plus basse, il est possible d'incliner le dossier en continuant d'appuyer sur le bouton Bas **Ⓒ**. Cela vous offre une position plus confortable pour le bain et vous permet de vous plonger plus profondément dans l'eau du bain (pas sur le modèle ORCA F).

8. Appuyez sur le bouton Bas jusqu'à ce que le dossier se trouve à la position souhaitée.

i Pour sortir de la baignoire, procédez en sens inverse.

9. Pour lever le dossier ou l'élévateur de bain, appuyez et maintenez enfoncé le bouton Haut **Ⓑ** jusqu'à ce que l'assise soit au même niveau que le bord de la baignoire.

! **IMPORTANT !**

- Débranchez la télécommande du dispositif lorsque l'élévateur de bain n'est pas utilisé, reportez-vous à la section 5.2 *Démontage de l'élévateur de bain*, page 82, étape 3.

5 Transport

5.1 Informations de sécurité



ATTENTION !

Le dossier n'est pas verrouillé sur l'assise lorsqu'il est plié et il peut se détacher.

- Ne retirez pas les ventouses lorsque vous transportez l'élévateur de bain.
- Retirez la télécommande du dossier pour le transport.
- Consultez les conditions de stockage et de transport figurant à la section 9.4 Paramètres environnementaux, page 90.

1. Retirez la télécommande.
2. Démontez l'élévateur de bain en deux parties pour le transport (siège et dossier), → 5.2 Démontage de l'élévateur de bain, page 82.

5.2 Démontage de l'élévateur de bain

1. Laissez l'eau s'écouler de la baignoire.
2. Abaissez l'élévateur de bain au moyen du bouton Bas jusqu'à ce que le dossier s'arrête en position inférieure, → 4.2 Contrôle de l'élévateur de bain, page 78.

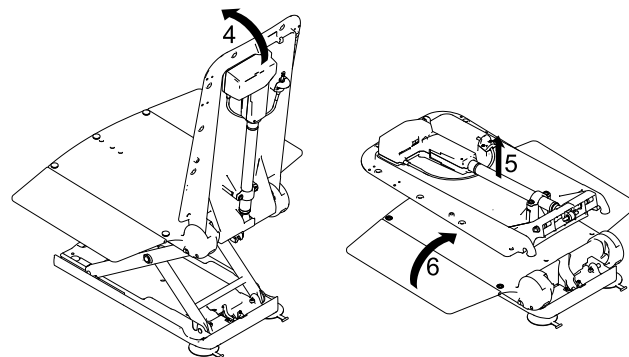
3. Dégagez la prise jack du câble spiralé de la télécommande en poussant le manchon de déverrouillage vers le haut pour le retirer de la fiche jack.



IMPORTANT !

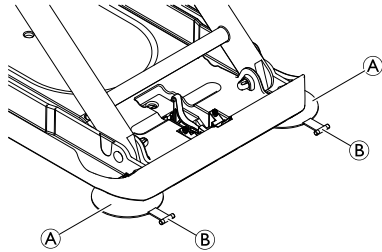
Risque de dommage matériel

- Lorsque vous repliez le dossier, veillez à ce que le câble spiralé de la télécommande ne soit pas bloqué.
- Ne pliez pas le dossier si de l'eau se trouve dans la baignoire.



4. Maintenez d'une main le dossier par le sommet et pliez-le vers l'avant en position finale.
5. Soulevez le dossier de l'assise et hors de la baignoire.

6. Pliez les rabats latéraux de l'assise vers l'intérieur.



IMPORTANT !

- Relâchez simultanément les deux ventouses arrière.

7. Dégagez la ventouse arrière (A) en soulevant sa languette (B).
8. Soulevez davantage l'arrière du siège afin de dégager les ventouses avant.



IMPORTANT !

- Si les adaptateurs de hauteur ont été installés (facultatifs), vous devez également tirer sur les languettes des ventouses avant pour les détacher.

9. Sortez le siège de la baignoire.
10. Rangez avec soin tous les composants de l'élévateur de bain.

6 Maintenance

6.1 Maintenance et entretien

Si vous observez les instructions de nettoyage et les consignes de sécurité fournies, aucune intervention de maintenance ne sera nécessaire sur le matériel.



IMPORTANT !

La télécommande ne peut être ouverte que par le fabricant de l'élévateur de bain.

1. Vérifiez régulièrement le produit afin de vous assurer qu'il n'est pas endommagé et qu'il est monté correctement.
2. En cas de détérioration ou de réparation éventuellement nécessaire, contactez immédiatement votre fournisseur.
3. Un fournisseur agréé doit vérifier l'élévateur de bain avant chaque réutilisation. Nous recommandons de vérifier l'élévateur de bain après 24 mois au plus tard (conformément à la norme En ISO 10535).
4. Si l'élévateur de bain n'est pas utilisé pendant une longue durée, chargez complètement la batterie puis levez et abaissez l'élévateur trois fois sans charge. Répétez l'opération tous les 3 mois. Ceci permet de préserver la durée de vie de la batterie.

6.2 Nettoyage et désinfection

Ce produit peut être nettoyé et désinfecté au moyen de produits disponibles dans le commerce.

1. Désinfectez le produit en essuyant toutes les surfaces généralement accessibles avec un désinfectant (le cas échéant, après son démontage).



IMPORTANT !

Tous les désinfectants et agents de nettoyage utilisés doivent être efficaces, compatibles entre eux et protéger les surfaces qu'ils sont censés nettoyer.

- Pour de plus amples informations sur la décontamination dans des environnements médicaux, veuillez vous reporter aux directives du National Institute for Clinical Excellence relatives à la prévention des infections www.nice.org.uk/CG139 et à votre réglementation locale de prévention des infections.
- Nettoyez régulièrement le produit à la main.
- N'utilisez pas de produits nettoyants abrasifs.

Nettoyage de l'assise et du dossier



ATTENTION !

Danger de pincement des doigts

- Soyez spécialement prudent lorsque vous nettoyez la zone des ciseaux de levage, car ils risquent de bouger et de provoquer des blessures.




IMPORTANT !

Risque de dommage matériel

- N'utilisez jamais de nettoyeur à haute pression pour nettoyer le dossier.

1. Lavez le produit avec un chiffon ou une brosse.
2. Rincez le produit à l'eau chaude.

3. Essuyez le produit avec un chiffon.
4. Enduisez la glissière du patin (figure de la section 3.2, ) d'un peu de vaseline.

Nettoyage des housses (facultatif)



Il est conseillé de nettoyer les housses avant la première utilisation. Par mesure d'hygiène, nous vous recommandons de nettoyer les housses régulièrement et de les changer tous les ans.

1. Débouchez les housses de siège et la toile de dossier.
2. Lavez les housses en machine à laver à une température maximale de 60 °C et avec un détergent doux.



IMPORTANT !

Risque de dommage matériel

- Le lavage à des températures élevées peut endommager les housses ou provoquer leur rétrécissement.
- Ne séchez pas les housses dans un sèche-linge.

Nettoyage du chargeur et de la télécommande



AVERTISSEMENT !

Risque de choc électrique

- Débranchez toujours la fiche de la prise électrique avant de nettoyer le chargeur.
- N'insérez jamais d'objets réalisés en matériau conducteur (par ex. aiguilles à tricoter, fiches métalliques) dans la prise jack de la télécommande.
- N'utilisez jamais de chiffon humide ou trempé pour nettoyer le chargeur.

7 Après l'utilisation

7.1 Stockage



IMPORTANT !

Risque de détérioration

- N'entreposez pas le produit près d'une source de chaleur.
- N'exposez pas le produit à la lumière directe du soleil.
- Se reporter aux conditions de stockage et de transport figurant dans la section 9.4 *Paramètres environnementaux, page 90.*

7.2 Réutilisation

Ce produit peut être réutilisé. Le nombre de réutilisations dépend de la fréquence et du mode d'utilisation du produit. Avant de le réutiliser, il doit subir une préparation hygiénique (→ 6.2 *Nettoyage et désinfection, page 84*) et être vérifié afin de s'assurer qu'il peut être employé de façon sûre. Procédez aux réparations éventuellement nécessaires.

7.3 Mise au rebut

Éliminez et recyclez les produits usagés et leur emballage conformément à la réglementation en vigueur.



AVERTISSEMENT !

- Ne jetez jamais la télécommande au feu et ne la placez pas près d'une flamme nue.

Ce produit contient une batterie aux ions de lithium rechargeable. Les batteries déchargées ou celles ne pouvant plus être rechargées ne doivent pas être jetées avec les rebuts ménagers. Les piles usées peuvent contenir des substances dangereuses qui peuvent être dangereuses pour l'environnement et la santé publique.

Veillez les retourner à votre revendeur ou à votre point de collecte municipal. Le retour est gratuit et obligatoire.

Les batteries déchargées ne doivent être jetées que dans des conteneurs fournis à cet effet ; n'oubliez pas de masquer les pôles des batteries lithium.

Obligation d'information conformément à la réglementation allemande BattG :

8 Dépannage

8.1 Identification et résolution des pannes



Le tableau suivant fournit des informations sur les défaillances et leurs causes possibles. Si les solutions proposées ne permettent pas de résoudre le problème, veuillez contacter directement votre fournisseur.

Défaillance	Cause possible	Solution
Le moteur ne fait aucun bruit / L'élévateur ne bouge pas.	La prise jack de la télécommande n'est pas engagée correctement.	Engagez la prise jack, → 3.3 <i>Montage de l'élévateur de bain</i> , page 73.
	La batterie est déchargée.	Rechargez entièrement la batterie, → 3.4 <i>Recharge de la batterie</i> , page 76.
	Les contacts sont sales.	Nettoyez la fiche située sur le dossier, → le cas échéant, contactez votre fournisseur.
	Le câble est écrasé / endommagé.	Remplacez la télécommande, → le cas échéant, contactez votre fournisseur.
L'élévateur peut monter mais ne peut pas descendre.	La protection de basse tension est activée.	Rechargez entièrement la batterie, → 3.4 <i>Recharge de la batterie</i> , page 76.
L'élévateur s'arrête en cours de levage.	La charge est trop importante.	Respectez la charge maximale, → 9.1 <i>Dimensions et poids</i> , page 89.
L'élévateur de bain n'adhère pas correctement à la baignoire.	Les ventouses sont vieilles ou endommagées.	Remplacez les ventouses, → le cas échéant, contactez votre fournisseur.
La batterie ne se recharge pas et le témoin rouge clignote pendant le chargement.	Problème d'ordre électronique	Contactez votre fournisseur agréé afin qu'il vérifie la télécommande.
	Batterie défectueuse.	Remplacez la télécommande.

Défaillance	Cause possible	Solution
	Chargeur défectueux.	Contactez votre fournisseur agréé afin qu'il vérifie le chargeur.
	La batterie est trop chaude.	Ne chargez pas la télécommande près de sources de chaleur (p. ex. chauffage, lumière directe du soleil). Le chargement se poursuit dès que la température redescend au seuil acceptable.

9 Caractéristiques Techniques

9.1 Dimensions et poids

Longueur totale en position la plus basse	920 mm
Longueur totale en position la plus haute	650 mm
Hauteur totale en position la plus haute	1075 mm
Longueur de l'assise	590 mm
Largeur de l'assise avec rabats latéraux dépliés vers l'extérieur	715 mm
Largeur de l'assise avec rabats latéraux dépliés vers l'intérieur	390 mm
Hauteur de l'assise en position la plus basse	60 mm
Hauteur de l'assise en position la plus haute	420 mm
Largeur du dossier	360 mm
Angle minimum du dossier	8°
Largeur de la plaque de base	295 mm
Charge maxi (ORCA / ORCA F) Charge maxi (ORCA XL)	140 kg 170 kg
Poids total sans la télécommande (ORCA) (ORCA F) (ORCA XL)	10,8 kg 11,4 kg 11,6 kg
Poids de l'assise (ORCA) (ORCA F) (ORCA XL)	6,6 kg 7,2 kg 7,4 kg

Poids du dossier (ORCA / ORCA F / ORCA XL)	4,2 kg
Poids de la télécommande	0,4 kg
Poids du chargeur	0,1 kg

9.2 Données électroniques

Force d'activation des boutons de la télécommande	< 5 N
Tension de fonctionnement de la télécommande ¹⁾	10,8 V cc / 14 V cc
Puissance d'entrée nominale ¹⁾	43 VA / 56 VA
Courant nominal	4 A
Type de batterie	ions lithium
Tension d'entrée du chargeur	100 - 240 V ca, 50 - 60 Hz
Tension de sortie du chargeur	24 V cc, 135 mA, 3 VA
Temps de charge à partir de l'avertissement de tension faible	environ 4,5 h
Type de protection, entraînement	IP X6 W ²⁾
Type de protection, télécommande	IP 67 ³⁾
Type de protection, produit entier	IP X6 ⁴⁾
Niveau sonore	52 dB(A)

Le vérin ne s'arrête pas en cas de surcharge. Ne surchargez pas l'élévateur de bain pour éviter d'endommager l'appareil.

1) 10,8 V cc / 43 VA valide lorsque vous utilisez les télécommandes à une tension de 10,8 V, indiquée à l'arrière de la télécommande.

14 V cc / 56 VA valide lorsque vous utilisez les télécommandes à une tension de 14 V, indiquée à l'arrière de la télécommande.

2) Protégé contre la pénétration d'eau en cas de jets d'eau puissants, testé dans les conditions météorologiques établies.

3) Protection contre la poussière et contre l'infiltration d'eau en cas d'immersion temporaire.

4) Protégé contre l'infiltration d'eau en cas de jets d'eau importants.

9.3 Matériaux

Dossier	PPGF
Plaque d'assise	PPGF
Revêtement	PVC



Tous les matériaux sont résistants à la corrosion et exempts de latex.

9.4 Paramètres environnementaux

Conditions de fonctionnement	
Température ambiante	10 °C - 40 °C

Humidité relative	15 % - 93 %, sans condensation
Pression atmosphérique	795 hPa - 1060 hPa
Conditions de stockage et de transport	
Température ambiante	0 °C - 40 °C
Humidité relative	30 % - 75 %, sans condensation
Pression atmosphérique	795 hPa - 1060 hPa

10 Compatibilité électromagnétique (CEM)

10.1 Informations relatives aux interférences électromagnétiques

L'équipement médical électrique doit être installé et utilisé conformément aux informations relatives aux interférences magnétiques présentes dans ce manuel.

Ce produit a été testé et est certifié conforme aux limites CEM spécifiées dans la norme CEI/EN 60601-1-2 pour les équipements de classe B.

Les appareils de communication RF portables et mobiles peuvent interférer avec le fonctionnement de ce produit.

D'autres appareils peuvent recevoir des interférences même des plus bas niveaux des émissions électromagnétiques autorisées par la norme ci-dessus. Pour déterminer si l'émission de ce produit est à l'origine d'une interférence, mettez ce produit sous puis hors tension. Si l'interférence avec le fonctionnement des autres appareils disparaît, cela signifie que ce produit provoque l'interférence. Dans ces cas rares, l'interférence peut être réduite ou corrigée de l'une des façons suivantes :

- Repositionnez le dispositif, changez-le de place ou augmentez la distance de séparation entre les appareils.

10.2 Émissions électromagnétiques

Directives et déclaration du fabricant

Ce produit est destiné à être utilisé dans l'environnement électromagnétique décrit ci-dessous. L'utilisateur ou l'acheteur de ce produit doivent s'assurer que le lit est bien utilisé dans un tel environnement.

Test relatif aux émissions	Conformité	Directives relatives à l'environnement électromagnétique
Émissions RF CISPR 11	Groupe I	Ce produit utilise l'énergie RF uniquement pour son fonctionnement interne. Il émet donc des ondes RF très faibles et il est peu probable qu'elles interfèrent avec l'équipement électronique à proximité.
Émissions RF CISPR 11	Classe B	Ce produit peut être utilisé dans tous les établissements, y compris les habitations et les établissements directement connectés au réseau d'alimentation public basse tension qui alimente les bâtiments destinés à accueillir des habitations.

Émissions de courant harmonique CEI 61000-3-2	Classe A	
Fluctuations de tension/émissions de scintillement CEI 61000-3-3	Conforme	


10.3 Immunité électromagnétique

Directives et déclaration du fabricant

Ce produit est destiné à être utilisé dans l'environnement électromagnétique décrit ci-dessous. L'utilisateur ou l'acheteur de ce produit doivent s'assurer que le lit est bien utilisé dans un tel environnement.

Test d'immunité	Test/Niveau de conformité	Directives relatives à l'environnement électromagnétique
Décharges électrostatiques CEI 61000-4-2	± 8 kV par contact ± 2 kV, ± 4 kV, ± 8 kV, 15 kV dans l'air	Le revêtement de sol doit être du bois, du béton ou des carreaux de céramique. Si le sol est recouvert d'un matériau synthétique, l'humidité relative doit être d'au moins 30 %.
Transitoires électriques rapides en salves CEI 61000-4-4	± 2 kV pour les lignes d'alimentation électriques ; 100 kHz en fréquence de répétition ± 1 kV pour les lignes d'entrée et de sortie ; 100 kHz en fréquence de répétition	La qualité du réseau électrique doit être la même que celle du réseau électrique d'un hôpital ou d'un établissement commercial.

Test d'immunité	Test/Niveau de conformité	Directives relatives à l'environnement électromagnétique
Ondes de choc CEI 61000-4-5	± 1 kV de ligne à ligne ± 2 kV de la ligne à la terre	La qualité du réseau électrique doit être la même que celle du réseau électrique d'un hôpital ou d'un établissement commercial.
Creux de tension, coupures brèves et variations de tension sur les lignes d'alimentation électrique CEI 61000-4-11	< 0 % U_T pour 0,5 cycle par incréments de 45° 0 % U_T pour 1 cycle 70 % U_T pour 25/30 cycles < 5 % U_T pour 250/300 cycles	La qualité du réseau électrique doit être la même que celle du réseau électrique d'un hôpital ou d'un établissement commercial. S'il est nécessaire que ce produit continue à fonctionner pendant une coupure de courant, il est recommandé de le brancher sur un système d'alimentation sans coupure ou sur une batterie. U_T représente la tension d'alimentation secteur avant l'application du niveau de test.
Champ magnétique à la fréquence du réseau (50/60 Hz) CEI 61000-4-8	30 A/m	Les champs magnétiques de fréquence industrielle doivent avoir les mêmes caractéristiques que ceux présents dans un hôpital ou un établissement commercial.

Test d'immunité	Test/Niveau de conformité	Directives relatives à l'environnement électromagnétique
Perturbations conduites, induites par les champs radioélectriques CEI 61000-4-6	3 V 150 kHz à 80 Mhz 6 V en bandes ISM et radioamateur	<p>Il n'est pas possible de prévoir avec précision l'intensité de champ des émetteurs fixes des stations de base des téléphones sans fil/cellulaires ou radios mobiles terrestres, des radios amateurs, et des télédiffusions ou radiodiffusions AM et FM. Afin d'évaluer l'environnement électromagnétique résultant des appareils émetteurs RF fixes, il est nécessaire d'effectuer une étude sur site. Si l'intensité de champ mesurée à l'endroit où le produit est utilisé est supérieure au niveau de conformité applicable aux émissions RF ci-dessus, il sera nécessaire d'observer si ce produit fonctionne normalement. En cas de fonctionnement anormal, il conviendra de prendre d'autres mesures, par exemple déplacer ou réorienter ce produit.</p> <p>Des interférences peuvent se produire à proximité des appareils comportant le symbole suivant : </p>
Champs électromagnétiques rayonnés aux fréquences radioélectriques CEI 61000-4-3	10 V/m 80 Mhz à 2,7 GHz 385 MHz - 5 785 MHz spécifications des tests d'immunité aux équipements de communication RF sans fil, reportez-vous au tableau 9 de la norme CEI 60601-1-2:2014	<p>Les équipements de communication RF portables et mobiles doivent être utilisés à une distance minimale de 30 cm de toute partie de ce produit, y compris les câbles.</p>



Ces consignes peuvent ne pas s'appliquer dans certaines situations. La propagation électromagnétique varie selon les propriétés d'absorption et de réflexion des structures, des objets et des personnes.

Sommario

Il presente manuale deve essere fornito all'utilizzatore del prodotto. Leggere il presente manuale e conservarlo per eventuali consultazioni successive, PRIMA di utilizzare il prodotto.

1 Generale	98
1.1 Introduzione	98
1.2 Simboli in questo manuale	98
1.3 Garanzia	99
1.4 Conformità	99
1.4.1 Norme specifiche di prodotto	99
1.5 Uso previsto	99
1.6 Durata	99
2 Sicurezza	101
2.1 Informazioni per la sicurezza	101
2.2 Informazioni per la sicurezza relative alla compatibilità elettromagnetica	102
2.3 Etichette e simboli sul prodotto	102
3 Messa in servizio	104
3.1 Informazioni per la sicurezza	104
3.2 Contenuto della fornitura	104
3.3 Installazione del sollevatore per vasca da bagno	106
3.4 Ricarica della batteria	109
4 Uso	111
4.1 Informazioni sulla sicurezza	111
4.2 Controllo del sollevatore per vasca da bagno	111
4.3 Utilizzo mentre si fa il bagno	113
5 Trasporto	115
5.1 Informazioni per la sicurezza	115
5.2 Rimozione del sollevatore per vasca da bagno	115
6 Manutenzione	117
6.1 Manutenzione e assistenza	117

6.2 Pulizia e disinfezione	117
7 Dopo l'utilizzo	119
7.1 Stoccaggio	119
7.2 Riutilizzo	119
7.3 Smaltimento	119
8 Guida alla soluzione dei problemi	120
8.1 Identificazione e riparazione dei guasti	120
9 Dati Tecnici	122
9.1 Dimensioni e peso	122
9.2 Dati elettronici	122
9.3 Materiali	123
9.4 Parametri ambientali	123
10 Compatibilità elettromagnetica (EMC)	124
10.1 Informazioni generali sulla compatibilità elettromagnetica (EMC)	124
10.2 Emissioni elettromagnetiche	124
10.3 Immunità elettromagnetica	125

1 Generale

1.1 Introduzione

Il presente manuale d'uso contiene informazioni importanti sulla gestione del prodotto. Per garantire un utilizzo sicuro del prodotto, leggere attentamente il manuale d'uso e seguire le istruzioni di sicurezza.

Si noti che alcune sezioni contenute nel presente manuale d'uso potrebbero non riguardare il proprio prodotto, in quanto il presente manuale si applica a tutti i modelli disponibili (alla data di stampa). Se non specificato diversamente, ogni sezione di questo manuale si riferisce a tutti i modelli del prodotto.

I modelli e le configurazioni disponibili nel proprio paese sono riportati nei listini prezzi specifici per paese.

Invacare si riserva il diritto di modificare le specifiche del prodotto senza ulteriore preavviso.

Prima di leggere il presente manuale, verificare di essere in possesso dell'ultima versione, che può essere scaricata dal sito web Invacare sotto forma di PDF.

Se si ritiene che la dimensione dei caratteri nella versione cartacea del Manuale d'uso sia di difficile lettura, è possibile scaricare la versione PDF dal sito web. Il PDF può essere ingrandito sullo schermo in modo da ottenere una dimensione dei caratteri più facile da leggere.

Per ulteriori informazioni sul prodotto, ad esempio le note sulla sicurezza del prodotto e i richiami di prodotti, si prega di contattare il proprio rappresentante Invacare. Vedere gli indirizzi alla fine del presente documento.

1.2 Simboli in questo manuale

Il presente manuale contiene simboli di avvertimento per indicare eventuali pericoli. Tali simboli sono accompagnati da un'intestazione che indica la gravità del pericolo.



ATTENZIONE

Indica una situazione di pericolo che, se non evitata, potrebbe essere causa di morte o lesioni gravi.



AVVERTENZA

Indica una situazione di pericolo che, se non evitata, potrebbe essere causa di lesioni minori o leggere.



IMPORTANTE

Indica una situazione di pericolo che, se non evitata, potrebbe essere causa di danni al prodotto.



Consigli e raccomandazioni

Indica consigli, raccomandazioni e informazioni utili per un uso efficace e senza inconvenienti.



Questo prodotto è conforme alla direttiva 93/42/CEE relativa ai dispositivi medici. La data di lancio di questo prodotto è indicata nella dichiarazione di conformità CE.



Produttore del prodotto.

1.3 Garanzia

Forniamo una garanzia del fabbricante per il prodotto in conformità con i Termini e le condizioni generali di vendita applicabili nei rispettivi Paesi. La garanzia può essere fatta valere solo attraverso il fornitore presso il quale è stato acquistato il prodotto.

I rivestimenti e le ventose ne sono esclusi.

1.4 Conformità

La qualità è fondamentale perché l'azienda operi nel rispetto e nell'ambito della norma ISO 13485.

Il prodotto è dotato di marchio CE, in conformità con la Direttiva 93/42/CEE concernente i dispositivi medici della classe 1.

Lavoriamo costantemente per garantire che l'impatto ambientale dell'azienda a livello locale e globale sia ridotto al minimo.

Garantiamo di utilizzare esclusivamente materiali e componenti conformi alla direttiva REACH.

Rispettiamo le normative ambientali RAEE e RoHS in vigore.

1.4.1 Norme specifiche di prodotto

Il prodotto soddisfa i requisiti della norma ISO 10535 (Solleventori per il trasferimento di persone disabili).

Per ulteriori informazioni si prega di contattare la propria filiale Invacare nazionale (gli indirizzi sono riportati alla fine del presente documento).

1.5 Uso previsto

I solleventori per vasca da bagno facilitano o consentono l'ingresso e l'uscita da una vasca da bagno. Essi fungono unicamente da ausilio per il bagno per persone con ridotte capacità motorie. Qualsiasi altro uso è vietato.

Indicazioni

- Riduzione significativa delle funzioni / mancata funzionalità degli arti superiori e/o inferiori (a seguito di amputazione, paralisi, disturbi articolari, disturbi neuromuscolari con indebolimento degli arti); se non è più possibile entrare o uscire in modo autonomo dalla vasca da bagno o sedere e sollevarsi da essa; il controllo del tronco e le funzioni base degli arti devono essere sufficienti.
- Conseguente croniche di malattie con limitazioni funzionali degli arti superiori e/o inferiori che non consentono più di fare il bagno da soli, tuttavia se fare il bagno da soli è possibile in larga misura l'uso del solleventore da vasca da bagno e di altri ausili per il bagno per compensare la disabilità non è sufficiente.

Controindicazioni

Non ci sono controindicazioni associate con l'uso corretto del prodotto.

1.6 Durata

La durata prevista per questo prodotto è di cinque anni, a condizione che sia utilizzato quotidianamente e in conformità alle istruzioni per la sicurezza, seguendo gli intervalli di

manutenzione e le indicazioni per un uso corretto come indicato nel presente manuale. La durata effettiva può variare a seconda della frequenza e dell'intensità d'uso.

2 Sicurezza

2.1 Informazioni per la sicurezza

**ATTENZIONE!**

- Non usare questo prodotto o nessun altro dispositivo opzionale disponibile senza prima aver letto attentamente e compreso fino in fondo le presenti istruzioni e ogni altro materiale informativo come il manuale d'uso, il manuale per la manutenzione o i fogli di istruzione forniti con questo prodotto o con i dispositivi opzionali. I manuali dei prodotti Invacare sono disponibili su internet o presso il rivenditore locale (gli indirizzi sono riportati sul retro di copertina del presente manuale).
- Qualora alcune avvertenze, precauzioni o istruzioni fossero di difficile comprensione, vi invitiamo a contattare un operatore sanitario qualificato, il rivenditore o tecnici qualificati prima di iniziare a utilizzare questa apparecchiatura, in modo da evitare possibili lesioni a persone o danni alle cose.

**ATTENZIONE!****Pericolo di lesioni**

- Non utilizzare se difettoso.
- In caso di malfunzionamento, contattare immediatamente il rivenditore.
- Non apportare modifiche o alterazioni non autorizzate al prodotto.
- Utilizzare esclusivamente pezzi di ricambio destinati a questo prodotto.

**ATTENZIONE!****Pericolo di lesioni**

- Non salire mai in piedi sul sollevatore per vasca da bagno per entrare o uscire dalla vasca da bagno, non usarlo per salire o scendere, come piattaforma di sollevamento né per nessuno scopo simile.

**IMPORTANTE!**

- Le informazioni contenute nel presente manuale possono essere modificate senza preavviso.
- Prima dell'utilizzo, controllare e testare tutte le parti per individuare eventuali danni dovuti al trasporto.

2.2 Informazioni per la sicurezza relative alla compatibilità elettromagnetica



ATTENZIONE!

Rischio di malfunzionamento dovuto a interferenze elettromagnetiche

Possono verificarsi interferenze elettromagnetiche tra questo prodotto e altre apparecchiature elettriche, che possono disturbare le funzioni di regolazione elettrica di questo prodotto. Per prevenire, ridurre o eliminare tali interferenze elettromagnetiche:

- Utilizzare esclusivamente cavi, accessori e pezzi di ricambio originali, non aumentare le emissioni elettromagnetiche né ridurre l'immunità elettromagnetica di questo prodotto.
- Non utilizzare apparecchiature di comunicazione in radiofrequenza (RF) portatili a una distanza inferiore a 30 cm da qualsiasi parte di questo prodotto (compresi i cavi).
- Non utilizzare questo prodotto nelle vicinanze di apparecchiature chirurgiche ad alta frequenza in funzione e della stanza schermata da RF di un sistema per la risonanza magnetica in cui l'intensità dei disturbi elettromagnetici sia elevata.
- In presenza di disturbi, aumentare la distanza tra questo prodotto e le altre apparecchiature oppure disinserire queste ultime.
- Fare riferimento alle informazioni dettagliate e seguire le linee guida riportate nel capitolo *10 Compatibilità elettromagnetica (EMC)*, pagina 124



ATTENZIONE!

Rischio di malfunzionamento

Le interferenze elettromagnetiche possono causare malfunzionamenti.

- Non utilizzare il presente prodotto vicino o sovrapposto ad altre apparecchiature elettriche. Se tale utilizzo fosse necessario, controllare attentamente che il prodotto e le altre apparecchiature funzionino normalmente.

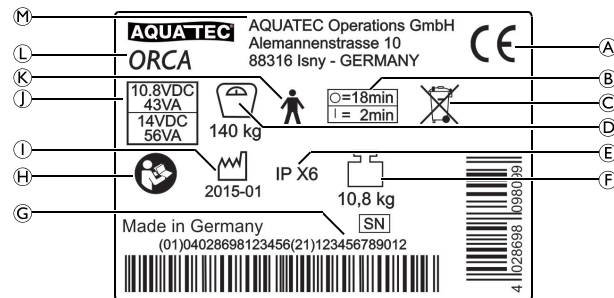


Non sono noti rischi durante l'utilizzo di prodotti come un pacemaker cardiaco.

2.3 Etichette e simboli sul prodotto

Etichetta modello

L'etichetta modello riporta informazioni importanti:



Ⓐ	Contrassegno di conformità
Ⓑ	Intervallo di utilizzo (non è consentito il funzionamento continuo del motore): massimo 2 minuti di uso continuo, seguiti da una pausa di 18 minuti
Ⓒ	Nota (smaltimento)
Ⓓ	Peso max. utilizzatore
Ⓔ	Tipo di protezione
Ⓕ	Peso del prodotto
Ⓖ	Numero di serie
Ⓗ	Leggere il manuale d'uso
Ⓘ	Data di produzione
Ⓝ	Tensione nominale/potenza nominale, vedere 9.2 <i>Dati elettronici, pagina 122</i>
Ⓚ	Parte applicata di tipo B
Ⓛ	Denominazione del prodotto
Ⓜ	Produttore



L'etichetta modello è applicata sul retro dello schienale.

3 Messa in servizio

3.1 Informazioni per la sicurezza



IMPORTANTE!

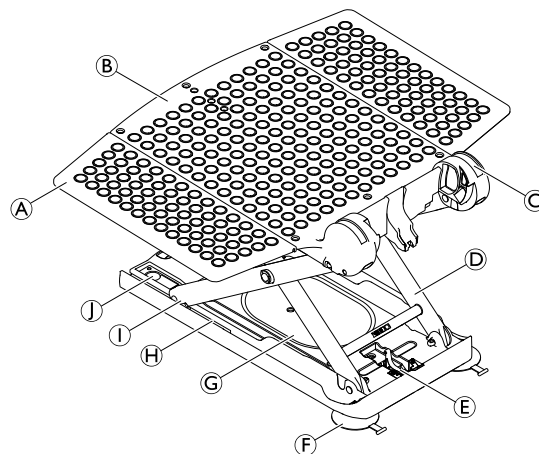
- Prima della messa in servizio controllare che le parti non presentino danni dovuti al trasporto e, se necessario, contattare il rivenditore.
- Assicurarsi che durante il montaggio le parti siano posizionate correttamente l'una rispetto all'altra.
- Si raccomanda di lavare i rivestimenti prima del primo utilizzo, vedere il capitolo 6.2 *Pulizia e disinfezione*, pagina 117.

3.2 Contenuto della fornitura

Il presente manuale d'uso si riferisce ai modelli ORCA, ORCA F e ORCA XL. Questi modelli si differenziano per il loro peso e per il peso massimo dell'utilizzatore, vedere la sezione 9.1 *Dimensioni e peso*, pagina 122. Per tutti e tre i modelli è disponibile come opzione un rivestimento del sedile e dello schienale. Lo schienale non può essere abbassato nel modello ORCA F.

Il prodotto viene fornito con i componenti seguenti:

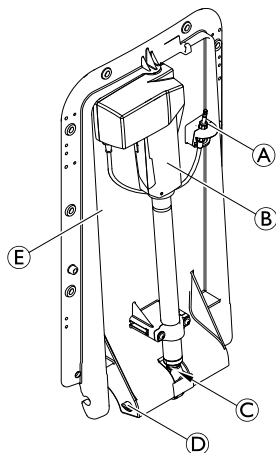
Sedile



(A)	Ribalta laterale
(B)	Piastra del sedile
(C)	Cerniera per lo schienale
(D)	Forbici di sollevamento
(E)	Alloggiamento della base del mandrino
(F)	Ventose posteriori (due linguette con filettatura)
(G)	Piastra di base
(H)	Guida per il pattino scorrevole

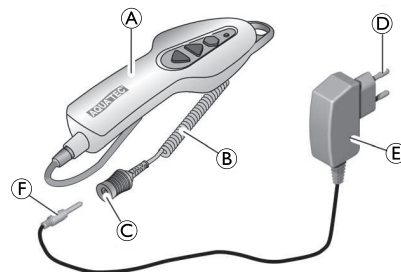
①	Pattino scorrevole
①	Ventose anteriori (una linguetta con testa)

Schienale



(A)	Spina a jack
(B)	Motore
(C)	Base del mandrino
(D)	Perno di bloccaggio
(E)	Piastra, schienale

Pulsantiera e caricabatteria



(A)	Pulsantiera con batteria
(B)	Cavo a spirale pulsantiera
(C)	Presa a jack della pulsantiera
(D)	Spina di alimentazione
(E)	Caricabatteria
(F)	Spina a jack del caricabatteria

3.3 Installazione del sollevatore per vasca da bagno



ATTENZIONE!

Rischio di scivolamento

Il sollevatore per vasca da bagno può scivolare se le ventose non hanno una buona tenuta.

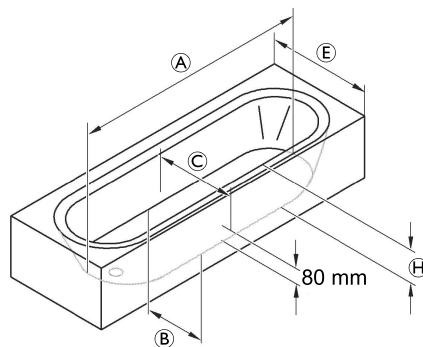
- Pulire la vasca e le ventose con un panno umido prima di installare il sollevatore per vasca da bagno.
- Non modificare la posizione del sollevatore per vasca da bagno all'interno della vasca dopo averlo installato.



ATTENZIONE!

Pericolo di lesioni e danni!

- Installare il sollevatore per vasca da bagno solo in vasche conformi alle specifiche della seguente tabella.
- Se la vasca da bagno è dotata di troppopieno laterale, usare le ribalte laterali speciali (disponibili come accessorio).

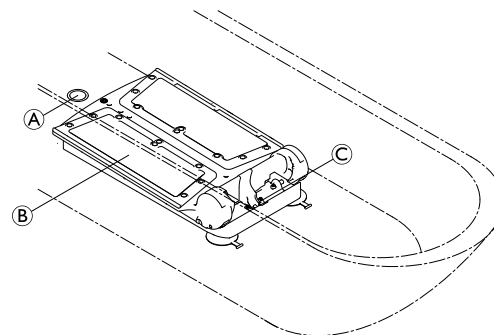


Ⓐ	Lunghezza vasca, fondo	≥ 800 mm
Ⓑ	Larghezza vasca, fondo (interno)	≥ 280 mm
Ⓒ	Larghezza vasca, a un'altezza di 80 mm (interno)	≥ 430 mm

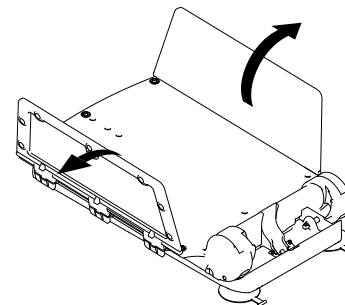
E	Larghezza vasca vasca (esterno)	580 - 690 mm (con ribalte laterali speciali) 700 - 740 mm (con ribalte laterali standard) 750 - 1000 mm (con ribalte laterali speciali)
H	Larghezza vasca vasca (interno)	≤ 420 mm (con adattatore di altezza, massimo + 60 mm)

! IMPORTANTE!

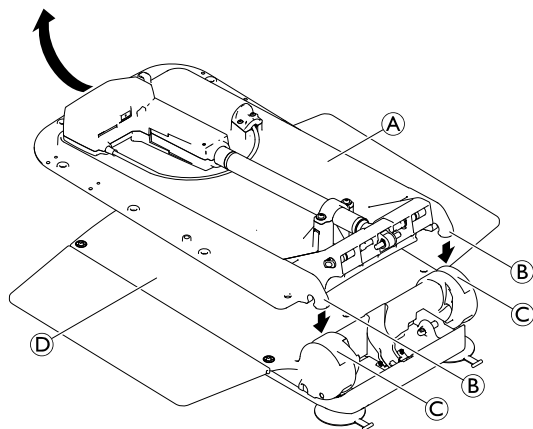
- Controllare che le ventose siano montate correttamente.
- Controllare che la batteria nella pulsantiera sia carica.
- Controllare che la base del mandrino sia completamente inserita.
- Quando si sollevano i componenti del sollevatore, ricordarsi di valutare correttamente il relativo peso, vedere sezione 9.1 *Dimensioni e peso, pagina 122*
- Se all'interno della vasca da bagno è montato un maniglione, utilizzare i deviatori delle ribalte laterali (disponibili come accessori).
- Piegate le ribalte laterali verso l'esterno prima di ribaltare lo schienale.



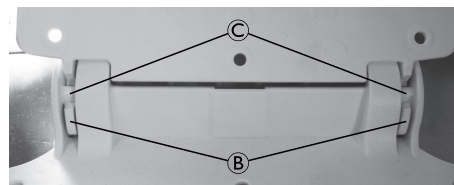
1. Posizionare il sedile **B** sul fondo della vasca da bagno vuota. Assicurarsi che l'alloggiamento della base del mandrino **C** sia rivolto verso l'estremità della vasca da bagno opposta allo scarico **A**.



2. Piegate le ribalte laterali del sedile verso l'esterno.



3. Posizionare lo schienale **A** (senza la pulsantiera) sul sedile in modo tale che i ganci **B** dello schienale si inseriscano nelle cerniere **C** della piastra del sedile **D**.



! **IMPORTANTE!**
Rischio di danni

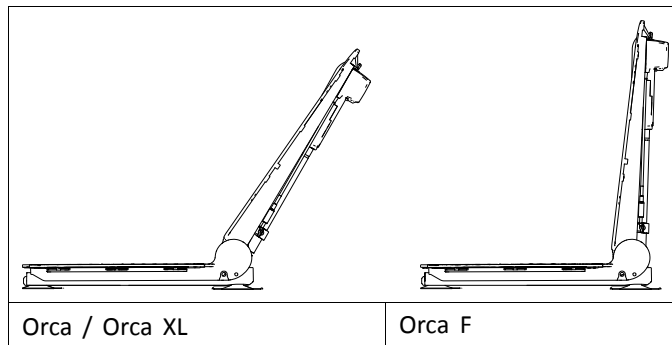
Danni al prodotto a causa del montaggio scorretto dello schienale

- Assicurarsi che entrambi i ganci **B** dello schienale siano innestati nelle cerniere **C** della piastra del sedile.
- Assicurarsi che lo schienale possa essere ribaltato in avanti fino alla posizione finale senza dover applicare una forza o avvertire una resistenza rilevante. La posizione finale è indicata nell'immagine seguente.

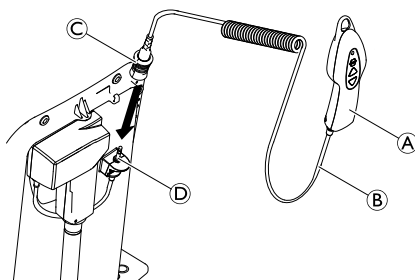
! **IMPORTANTE!**
Rischio di danni

Danni al prodotto causati dalla fuoriuscita della base del mandrino.

- Prima di aprire lo schienale tirandolo verso l'alto, assicurarsi che il mandrino sia completamente rientrato e che la base del mandrino sia in piano e non sia storta.
- Quando lo schienale è aperto, verificare che la base del mandrino si trovi nel proprio alloggiamento.



4. Tenere lo schienale in corrispondenza del centro dell'estremità superiore e sollevarlo con cautela nella posizione finale.



5. Collegare la presa a jack con il manicotto di sblocco (C) sul cavo a spirale (B) della pulsantiera (A) alla spina a jack (D) fino a far scattare il meccanismo di chiusura.

! IMPORTANTE!
Rischio di danni

- Assicurarsi che lo schienale non tocchi il bordo della vasca.
- Se necessario, collocare il sollevatore per vasca da bagno più avanti nella vasca. Per collocare il sollevatore per vasca da bagno più avanti nella vasca, abbassare il sollevatore per vasca da bagno fino al fondo, allentare le ventose e poi spostare il sollevatore.

3.4 Ricarica della batteria

Il sollevatore per vasca da bagno non può essere usato durante il caricamento della batteria.

1574469-C



ATTENZIONE!

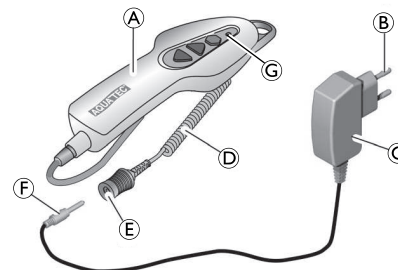
Rischio di scosse elettriche

- Ricaricare la batteria solo in ambienti asciutti, a temperatura ambiente (da 15 °C a 25 °C), e mai nel bagno.



IMPORTANTE!

- Utilizzare esclusivamente il caricabatteria fornito per caricare la batteria nella pulsantiera.
- Collegare il caricabatteria alla rete elettrica solo quando la pulsantiera è collegata al caricabatteria.
- Assicurarsi che le specifiche di tensione indicate sul caricabatteria corrispondano a quelle della rete elettrica.



1. Inserire la spina a jack (F) del caricabatteria (C) nella presa a jack (E) sul cavo a spirale (D) della pulsantiera (A) fino all'innesto.
2. Inserire la spina di alimentazione (B) del caricabatteria in una presa di corrente.



La spia rossa © della pulsantiera si spegne quando la batteria è completamente carica. Non è possibile sovraccaricare la batteria.

3. Scollegare il caricabatteria dalla presa di corrente.
4. Estrarre la spina a jack del caricabatteria dalla presa a jack della pulsantiera.

4 Uso

4.1 Informazioni sulla sicurezza



AVVERTENZA!

Il sovraccarico del sollevatore da vasca può causare danni al dispositivo o impedire il sollevamento.

- Non sovraccaricare il sollevatore da vasca e osservare le specifiche sull'etichetta modello e nella sezione *9.1 Dimensioni e peso, pagina 122* per quanto riguarda la sua portata.



AVVERTENZA!

Pericolo di pizzicamento delle dita

- Non mettere le dita nella guida tra la piastra del sedile e lo schienale.
- Non mettere le mani sotto la piastra del sedile o tra le forbici di sollevamento.



IMPORTANTE!

L'umidità potrebbe penetrare in una pulsantiera danneggiata, con conseguente possibilità che si verifichino cortocircuiti e incendi.

- Prima di ogni utilizzo, effettuare sempre un controllo visivo per verificare che il prodotto non presenti danni esterni.
- Se l'alloggiamento della pulsantiera è danneggiato o presenta delle crepe, non utilizzare la pulsantiera.
- Ricaricare completamente la batteria prima di ogni utilizzo, *3.4 Ricarica della batteria, pagina 109*

1. Fare riferimento alle condizioni di funzionamento riportate nella sezione *9.4 Parametri ambientali, pagina 123*

4.2 Controllo del sollevatore per vasca da bagno

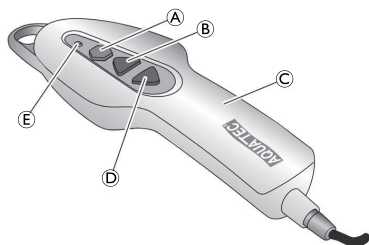
Il sollevatore per vasca da bagno può essere spostato nelle seguenti direzioni:



Il sollevatore per vasca da bagno è controllato tramite la pulsantiera, sia dall'utilizzatore sia da un assistente.



Con una batteria completamente carica, i modelli ORCA e ORCA F sono in grado di eseguire 5 cicli di funzionamento con un carico di 140 kg. Il modello ORCA XL può eseguire 4 cicli di funzionamento con un carico di 170 kg.



IMPORTANTE!

Rischio di danni

– La pulsantiera può essere utilizzata solo quando lo schienale è installato correttamente e in posizione verticale.



IMPORTANTE!

Se la batteria della pulsantiera © non è sufficientemente carica, la spia rossa ⑤ si accende quando viene premuto il pulsante Giù ④. In questo caso, la funzione di abbassamento del sollevatore per vasca da bagno è disattivata. Tuttavia, è possibile continuare ad alzare il sollevatore.

– Ricaricare la batteria subito dopo il sollevamento del sollevatore per vasca da bagno.

Sollevamento del sollevatore per vasca da bagno



IMPORTANTE!

Se lo schienale viene abbassato, prima si sposta in posizione verticale (non sul modello ORCA F).

1. Premere il pulsante Su ② della pulsantiera e tenerlo premuto.
Lo schienale si sposta in posizione verticale o il sedile si sposta verso l'alto.
2. Rilasciare il pulsante Su della pulsantiera.
Il sollevatore per vasca da bagno si ferma nella posizione corrente.

Abbassamento del sollevatore per vasca da bagno



IMPORTANTE!

Se il sedile è già abbassato, lo schienale si abbassa verso il retro (non sul modello ORCA F).

1. Premere il pulsante Giù ④ della pulsantiera e tenerlo premuto.
Il sedile si sposta verso il basso oppure lo schienale si inclina all'indietro.
2. Rilasciare il pulsante Giù della pulsantiera.
Il sollevatore per vasca da bagno si ferma nella posizione corrente.

Interruttore di arresto d'emergenza



IMPORTANTE!

Premere il pulsante di arresto d'emergenza (A) solo se il dispositivo non si ferma immediatamente quando viene rilasciato il pulsante Su o Giù (ad esempio, se un pulsante si blocca). Il sollevatore per vasca da bagno si arresta immediatamente e la spia rossa integrata nella pulsantiera si accende.

Se la spia rossa si spegne dopo che il pulsante di arresto d'emergenza viene rilasciato, il guasto è stato riparato (ad esempio, il pulsante viene nuovamente rilasciato). Il dispositivo è nuovamente pronto per l'uso.

Se la spia rossa rimane accesa dopo che il pulsante di arresto d'emergenza viene rilasciato, il guasto non è ancora stato riparato. Il dispositivo non è pronto per l'uso e deve essere riparato, ad esempio in caso di danni ai componenti elettronici.



Se necessario, contattare il proprio fornitore specializzato.

4.3 Utilizzo mentre si fa il bagno



ATTENZIONE!

Rischio di scivolamento

Il sollevatore per vasca da bagno può scivolare se le ventose non hanno una buona tenuta.

- Prima di utilizzare il sollevatore per vasca da bagno, assicurarsi che sia posizionato in modo saldo e che non possa ribaltarsi.
- Assicurarsi che il sollevatore sia installato nella vasca da bagno, → 3.3 *Installazione del sollevatore per vasca da bagno, pagina 106*



ATTENZIONE!

- Se le condizioni dell'utilizzatore non permettono di fare il bagno da soli, utilizzare il dispositivo solo con la supervisione di un'altra persona.
- Se si aziona il dispositivo senza supervisione, assicurarsi di tenere a portata di mano un sistema di allarme o un telefono in caso di imprevisti (ad esempio, malfunzionamenti).



AVVERTENZA!

Oli o sali da bagno possono compromettere le prestazioni delle forbici di sollevamento.

- In caso di utilizzo di tali additivi da bagno, non superare la dose consigliata.

! **IMPORTANTE!**

- Portare il sollevatore senza carico prima nella posizione superiore e poi nuovamente nella posizione inferiore (test di funzionamento).
- Prima dell'uso, controllare la temperatura dell'acqua del bagno.

1. Premere e tenere premuto il pulsante Su **B** fino a quando il sedile è a livello del bordo della vasca da bagno.
2. Assicurarsi che le ribalte laterali siano a livello con il sedile e poggino in piano sul bordo della vasca da bagno.
3. Riempire la vasca d'acqua.
4. Sedersi sulla ribalta laterale più vicina a sé come si farebbe su una sedia.
5. Scivolare all'indietro fino a quando non si è seduti al centro del sedile.
6. Girarsi nella posizione adatta per fare il bagno, sollevando una gamba e poi l'altra sopra il bordo della vasca.
7. Una volta seduti correttamente, premere e tenere premuto il pulsante Giù **D** per abbassare il sedile all'interno della vasca da bagno.

i Quando il sedile ha raggiunto la posizione più bassa, è possibile reclinare lo schienale continuando a tenere premuto il pulsante Giù **D**. Questo consente di adottare una posizione più comoda per fare il bagno e permette di immergersi più in profondità nell'acqua della vasca (non presente sul modello ORCA F).

8. Tenere premuto il pulsante Giù fino a quando lo schienale non ha raggiunto la posizione desiderata.

i Per uscire dalla vasca da bagno, ripetere gli stessi passaggi in ordine inverso.

9. Per sollevare lo schienale o il sollevatore per vasca da bagno, premere e tenere premuto il pulsante Su **B** fino a quando il sedile è a livello del bordo della vasca da bagno.

! **IMPORTANTE!**

- Scollegare la pulsantiera dal dispositivo quando il sollevatore per vasca da bagno non è in uso, vedere la sezione 5.2 *Rimozione del sollevatore per vasca da bagno*, pagina 115 passaggio 3.

5 Trasporto

5.1 Informazioni per la sicurezza



AVVERTENZA!

Lo schienale non è bloccato sul sedile quando viene ribaltato e può staccarsi.

- Non rimuovere le ventose quando si trasporta il sollevatore per vasca da bagno.
- Rimuovere la pulsantiera dallo schienale per il trasporto.
- Fare riferimento alle condizioni di conservazione e di trasporto riportate nella sezione 9.4 *Parametri ambientali, pagina 123*

1. Rimuovere la pulsantiera.
2. Smontare il sollevatore da vasca in due parti per il trasporto (sedile e schienale) *5.2 Rimozione del sollevatore per vasca da bagno, pagina 115*

5.2 Rimozione del sollevatore per vasca da bagno

1. Scaricare l'acqua presente nella vasca da bagno.
2. Abbassare il sollevatore per vasca da bagno con il pulsante Giù finché lo schienale non si arresta nella posizione finale. *4.2 Controllo del sollevatore per vasca da bagno, pagina 111*

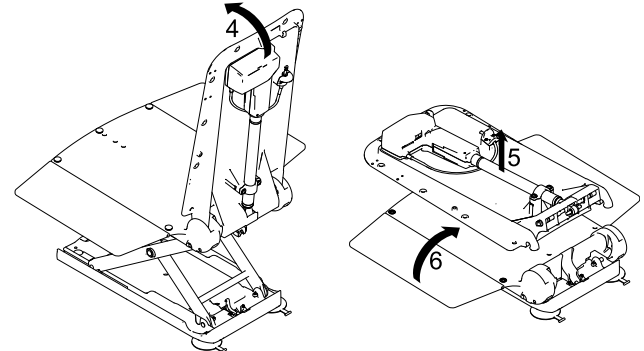
3. Sbloccare la presa a jack sul cavo a spirale della pulsantiera spingendo verso l'alto il manicotto di sblocco ed estrarla dalla spina a jack.



IMPORTANTE!

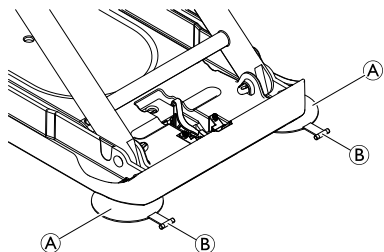
Rischio di danni

- Quando si ribalta lo schienale in basso, assicurarsi che il cavo a spirale della pulsantiera non resti intrappolato.
- Non chiudere lo schienale se nella vasca da bagno è presente dell'acqua.



4. Tenere lo schienale all'estremità superiore con una mano e ribaltarlo completamente in avanti.
5. Estrarre lo schienale dal sedile tirandolo verso l'alto e sollevarlo dalla vasca.

- Piegare le ribalte laterali del sedile verso l'interno.



IMPORTANTE!

- Rilasciare contemporaneamente entrambe le ventose posteriori.

- Rilasciare la ventosa posteriore **A** tirando verso l'alto la sua linguetta **B**.
- Sollevare ulteriormente il retro del sedile. In questo modo vengono rilasciate le ventose anteriori.



IMPORTANTE!

- Se sono stati installati gli adattatori di altezza (opzionali), è necessario tirare anche le linguette delle ventose anteriori per rilasciarle.

- Sollevare il sedile dalla vasca da bagno.
- Conservare con cura tutti i componenti del sollevatore per vasca da bagno.

6 Manutenzione

6.1 Manutenzione e assistenza

L'osservanza delle note per la pulizia e la sicurezza rende il prodotto esente da manutenzione.

! **IMPORTANTE!**

La pulsantiera può essere aperta solo dal produttore del sollevatore per vasca da bagno.

1. Controllare regolarmente che il prodotto non sia danneggiato e assicurarsi che sia assemblato in modo sicuro.
2. In caso di danni e/o necessità di riparazioni, contattare immediatamente il fornitore.
3. Il sollevatore per vasca da bagno deve essere sempre controllato da un fornitore autorizzato prima del riutilizzo. Si raccomanda di controllare il sollevatore per vasca da bagno dopo 24 mesi al massimo (in conformità con EN ISO 10535).
4. Se il sollevatore per vasca da bagno non viene utilizzato per un periodo prolungato, caricare completamente la batteria, quindi alzare e abbassare il sollevatore per vasca da bagno 3 volte senza carico. Ripetere questo procedimento ogni 3 mesi. Questo aiuta a prolungare la durata della batteria.

6.2 Pulizia e disinfezione

Il prodotto può essere pulito e disinfettato con prodotti disponibili in commercio.

1. Disinfettare il prodotto strofinando tutte le superfici generalmente accessibili con un disinfettante (se possibile dopo aver smontato il prodotto).

! **IMPORTANTE!**

- Tutti i prodotti detergenti e disinfettanti utilizzati devono essere efficaci, compatibili tra loro e devono proteggere i materiali su cui vengono utilizzati durante la pulizia.
- Per ulteriori informazioni sulla decontaminazione in ambienti sanitari, si prega di fare riferimento alle linee guida in materia di controllo delle infezioni fornite dall'istituto inglese "National Institute for Clinical Excellence" (disponibili sul sito www.nice.org.uk/CG139) e ai protocolli locali di controllo delle infezioni.
 - Pulire il prodotto regolarmente a mano.
 - Non utilizzare prodotti detergenti abrasivi.

Pulizia del sedile e dello schienale



AVVERTENZA!

Pericolo di pizzicamento delle dita

- Prestare particolare attenzione durante la pulizia nell'area delle forbici di sollevamento, in quanto possono muoversi e provocare lesioni.


! **IMPORTANTE!**

Rischio di danni

- Non usare mai un sistema di pulizia ad alta pressione per pulire lo schienale.

1. Lavare il prodotto con un panno o una spazzola.
2. Risciacquare il prodotto con acqua calda.
3. Asciugare il prodotto con un panno.
4. Lubrificare leggermente la guida del pattino scorrevole (Fig. Cap. 3.2, Ⓜ) con vaselina.

Pulizia dei rivestimenti (opzionale)

 Si raccomanda di lavare i rivestimenti prima del primo utilizzo. Per motivi igienici si raccomanda di pulire regolarmente i rivestimenti e di sostituirli ogni anno.

1. Sbottonare i rivestimenti dal sedile e dallo schienale.
2. Lavare i rivestimenti in lavatrice con detergente delicato a una temperatura massima di 60 °C.

! **IMPORTANTE!**

Rischio di danni

- Un lavaggio a temperature elevate può provocare danni o restringimenti dei rivestimenti.
- Non asciugare i rivestimenti nell'asciugabiancheria.

Pulizia del caricabatteria e della pulsantiera



ATTENZIONE!

Rischio di scosse elettriche

- Scollegare sempre la spina dalla presa di corrente prima di pulire il caricabatteria.
- Non inserire mai oggetti di materiale conduttivo (ad esempio, ferri da maglia, perni metallici) nella presa a jack della pulsantiera.
- Non usare mai un panno bagnato o umido per pulire il caricabatteria.

1. Strofinare il caricabatteria con un panno asciutto.
2. Strofinare la pulsantiera con un panno umido e asciugarla con un panno asciutto.

7 Dopo l'utilizzo

7.1 Stoccaggio



IMPORTANTE!

Pericolo di danneggiamento

- Non conservare il prodotto vicino a fonti di calore.
- Non esporre il prodotto alla luce diretta del sole.
- Fare riferimento alle condizioni di conservazione e di trasporto riportate nella sezione 9.4 *Parametri ambientali, pagina 123*

7.2 Riutilizzo

Il prodotto è adatto per essere riutilizzato. Il numero di riutilizzi dipende dalla frequenza di utilizzo e dal modo in cui è stato usato il prodotto. Prima del riutilizzo, il prodotto deve essere sottoposto a preparazione igienica (→ 6.2 *Pulizia e disinfezione, pagina 117*) e controllato per assicurarsi che sia in condizioni di funzionamento corretto e sicuro. Riparare se necessario.

7.3 Smaltimento

Lo smaltimento e il riciclaggio dei prodotti e degli imballaggi usati devono essere eseguiti conformemente alle normative locali in vigore.



ATTENZIONE!

- Non gettare mai la pulsantiera nel fuoco né conservarla in prossimità di fiamme libere.

Obbligo di informazione conformemente alla Direttiva tedesca sulle batterie, BattG:

Questo prodotto contiene una batteria ricaricabile con ioni al litio. Le batterie scariche o che non possono più essere ricaricate non devono essere smaltite con i rifiuti domestici. Le vecchie batterie possono contenere sostanze pericolose che potrebbero costituire un pericolo per l'ambiente e la salute pubblica.

Restituire queste batterie al proprio rivenditore o al proprio punto di raccolta comunale. La loro restituzione è gratuita ed è obbligatoria per legge.

Gettare le batterie scariche esclusivamente negli appositi contenitori e mascherare i poli delle batterie al litio.

8 Guida alla soluzione dei problemi

8.1 Identificazione e riparazione dei guasti



La tabella seguente fornisce informazioni sui malfunzionamenti e sulle possibili cause. Qualora non fosse possibile correggere il malfunzionamento mediante i rimedi indicati, contattare direttamente il proprio fornitore.

Guasto	Causa possibile	Soluzione
Non si sente alcun rumore del motore / il sollevatore non si muove.	La presa a jack della pulsantiera non è innestata correttamente.	Innestare la presa a jack, → <i>3.3 Installazione del sollevatore per vasca da bagno, pagina 106</i>
	La batteria è scarica.	Ricaricare completamente la batteria, → <i>3.4 Ricarica della batteria, pagina 109</i>
	I contatti sono sporchi.	Pulire il connettore sullo schienale, se necessario, contattare il proprio fornitore.
	Il cavo è schiacciato/danneggiato.	Sostituire la pulsantiera, se necessario, contattare il proprio fornitore.
Il sollevatore può essere sollevato, ma non abbassato.	La protezione a bassa tensione è attivata.	Ricaricare completamente la batteria, → <i>3.4 Ricarica della batteria, pagina 109</i>
Il sollevatore si ferma mentre viene sollevato.	Carico eccessivo.	Rispettare il carico massimo, → <i>9.1 Dimensioni e peso, pagina 122</i>
Il sollevatore per vasca da bagno non aderisce saldamente alla vasca da bagno.	Le ventose sono vecchie o danneggiate.	Sostituire le ventose, se necessario, contattare il proprio fornitore.

Guasto	Causa possibile	Soluzione
La batteria non si carica e la spia rossa lampeggia durante la carica	Componenti elettronici difettosi.	Far controllare la pulsantiera dal proprio fornitore autorizzato.
	Batteria difettosa.	Sostituire la pulsantiera.
	Caricabatteria difettoso.	Far controllare il caricabatteria dal proprio fornitore autorizzato.
	La batteria è troppo calda.	Non caricare la pulsantiera vicino a fonti di calore, ad esempio, termosifoni, luce diretta del sole. La carica continua automaticamente quando la temperatura scende ai limiti ammissibili.

9 Dati Tecnici

9.1 Dimensioni e peso

Lunghezza totale alla posizione più bassa	920 mm
Lunghezza totale alla posizione più alta	650 mm
Altezza totale alla posizione più alta	1075 mm
Lunghezza del sedile	590 mm
Larghezza sedile con ribalte laterali piegate verso l'esterno	715 mm
Larghezza sedile con ribalte laterali piegate verso l'interno	390 mm
Altezza sedile alla posizione più bassa	60 mm
Altezza sedile alla posizione più alta	420 mm
Larghezza dello schienale	360 mm
Massima inclinazione dello schienale	8°
Larghezza piastra di base	295 mm
Carico massimo (ORCA / ORCA F) Carico massimo (ORCA XL)	140 kg 170 kg
Peso totale senza pulsantiera (ORCA) (ORCA F) (ORCA XL)	10,8 kg 11,4 kg 11,6 kg
Peso del sedile (ORCA) (ORCA F) (ORCA XL)	6,6 kg 7,2 kg 7,4 kg

Peso dello schienale (ORCA / ORCA F / ORCA XL)	4,2 kg
Peso della pulsantiera	0,4 kg
Peso del caricabatteria	0,1 kg

9.2 Dati elettronici

Forza di attivazione per i pulsanti della pulsantiera	< 5 N
Tensione di esercizio della pulsantiera ¹⁾	10,8 V c.c. / 14 V c.c.
Potenza di ingresso nominale ¹⁾	43 VA / 56 VA
Corrente nominale	4 A
Tipo di batteria	Agli ioni di litio
Ingresso caricabatteria	100 - 240 V c.a., 50 - 60 Hz
Uscita caricabatteria	24 V c.c., 135 mA, 3 VA
Tempo di carica da avviso bassa tensione	Circa 4,5 h
Tipo di protezione, motore	IP X6 W ²⁾
Tipo di protezione, pulsantiera	IP 67 ³⁾
Tipo di protezione, intero dispositivo	IP X6 ⁴⁾
Livello di potenza sonora	52 dB(A)

L'attuatore non si spegne quando il prodotto è sovraccarico. Non sovraccaricare il sollevatore per vasca da bagno per evitare danni.

1) 10,8 V c.c. / 43 VA valido quando si usano pulsantieri con tensione pari a 10,8 V, indicata sul retro della pulsantiera. 14 V c.c. / 56 VA valido quando si usano pulsantieri con tensione pari a 14 V, indicata sul retro della pulsantiera.

2) Protetto contro la penetrazione di acqua in caso di forti getti di acqua, test effettuato in condizioni meteorologiche convenzionali.

3) Protetto contro la polvere e contro la penetrazione di acqua durante l'immersione temporanea.

4) Protetto dalla penetrazione di acqua in caso di forti getti d'acqua.

9.3 Materiali

Schienale	PPGF
Piastra del sedile	PPGF
Rivestimenti	PVC



Tutti i materiali utilizzati sono resistenti alla corrosione e privi di lattice.

9.4 Parametri ambientali

Condizioni di funzionamento	
Temperatura ambiente	10 - 40 °C
Umidità relativa	15% - 93% non condensante

Pressione atmosferica	795 - 1060 hPa
Condizioni di conservazione e di trasporto	
Temperatura ambiente	0 - 40 °C
Umidità relativa	30% - 75% non condensante
Pressione atmosferica	795 - 1060 hPa

10 Compatibilità elettromagnetica (EMC)

10.1 Informazioni generali sulla compatibilità elettromagnetica (EMC)

Le apparecchiature elettromedicali devono essere installate e utilizzate conformemente alle informazioni sulla compatibilità elettromagnetica contenute nel presente manuale.

Questo prodotto è stato collaudato ed è risultato conforme ai limiti di compatibilità elettromagnetica specificati dalla norma IEC/EN 60601-1-2 per le apparecchiature di classe B.

Le apparecchiature di comunicazione RF portatili e mobili possono influenzare il funzionamento di questo prodotto.

Altri dispositivi possono subire interferenze anche dai bassi livelli di emissioni elettromagnetiche consentiti dalla norma di cui sopra. Per determinare se l'interferenza è causata dalle emissioni di questo prodotto, azionarlo e arrestarlo. Se cessa l'interferenza con il funzionamento degli altri dispositivi, è questo prodotto a causare tale interferenza. In questi rari casi, l'interferenza può essere ridotta o corretta nel modo seguente:

- Riposizionare o spostare i dispositivi aumentando la distanza tra essi.

10.2 Emissioni elettromagnetiche

Linee guida e dichiarazione del produttore

Questo prodotto è inteso per un utilizzo in un ambiente elettromagnetico di seguito specificato. Il cliente o l'utilizzatore di questo prodotto deve assicurarsi che venga usato in un ambiente di tal tipo.

Test di emissioni	Conformità	Ambiente elettromagnetico - guida
Emissioni RF CISPR 11	Gruppo I	Questo prodotto utilizza energia RF solo per il suo funzionamento interno. Pertanto, le sue emissioni RF sono molto basse e non tali da causare interferenze nelle apparecchiature elettroniche vicine.
Emissioni RF CISPR 11	Classe B	Questo prodotto è idoneo all'uso in qualsiasi struttura, comprese quelle domiciliari e quelle collegate direttamente alla rete di alimentazione elettrica pubblica a bassa tensione che serve gli edifici ad uso civile.


Emissioni armoniche IEC 61000-3-2	Classe A	
Oscillazioni di tensione / emissioni di sfarfallamento (flicker) IEC 61000-3-3	Conforme	

10.3 Immunità elettromagnetica

Linee guida e dichiarazione del produttore

Questo prodotto è inteso per un utilizzo in un ambiente elettromagnetico di seguito specificato. Il cliente o l'utilizzatore di questo prodotto deve assicurarsi che venga usato in un ambiente di tal tipo.

Test di immunità	Test / Livello di conformità	Ambiente elettromagnetico - guida
Scariche elettrostatiche (ESD) IEC 61000-4-2	± 8 kV contatto ± 2 kV, ± 4 kV, ± 8 kV, 15 kV aria	I pavimenti devono essere in legno, cemento o piastrelle di ceramica. Se i pavimenti sono ricoperti da materiale sintetico, l'umidità relativa deve essere di almeno il 30%.
Transitorio elettrostatico / treni di impulsi (burst) IEC 61000-4-4	± 2 kV per linee di alimentazione elettrica; 100 kHz di frequenza di ripetizione ± 1 kV per linee di ingresso / uscita; 100 kHz di frequenza di ripetizione	La qualità della connessione elettrica deve essere quella di un tipico ambiente commerciale od ospedaliero.

Test di immunità	Test / Livello di conformità	Ambiente elettromagnetico - guida
Sbalzi di tensione IEC 61000-4-5	± 1 kV da linea a linea ± 2 kV da linea a terra	La qualità della connessione elettrica deve essere quella di un tipico ambiente commerciale od ospedaliero.
Vuoti di tensione, brevi interruzioni e variazioni di tensione sulle linee di alimentazione elettrica in ingresso IEC 61000-4-11	< 0% U_T per 0,5 cicli con incrementi di 45 ° 0% U_T per 1 ciclo 70% U_T per 25 / 30 cicli < 5% U_T per 250 / 300 cicli	La qualità della connessione elettrica deve essere quella di un tipico ambiente commerciale od ospedaliero. Se l'utilizzatore di questo prodotto avesse bisogno di un funzionamento continuo durante le interruzioni di corrente elettrica, si consiglia di alimentare il prodotto tramite un gruppo di continuità o una batteria. U_T è la tensione di alimentazione c.a. prima dell'esecuzione del livello di prova.
Campi magnetici alla frequenza di rete (50/60 Hz) IEC 61000-4-8	30 A/m	I campi magnetici della frequenza di rete devono essere a livelli caratteristici di un tipico ambiente commerciale od ospedaliero.
RF condotta IEC 61000-4-6	3 V da 150 kHz a 80 Mhz 6 V in bande ISM e per radioamatori	L'intensità di campo dei trasmettitori fissi, come stazioni base per radio, telefoni (cellulari/cordless) e radiocomunicazioni sul campo (land mobile radio), radioamatori, trasmissioni radio AM ed FM e trasmissioni TV non può essere quantificata in modo teorico a priori e con precisione. Per valutare l'ambiente elettromagnetico dovuto ai trasmettitori RF fissi va presa in considerazione la necessità di un'indagine elettromagnetica in sito. Se l'intensità di campo misurata nella zona in cui viene usato tale prodotto supera il suddetto livello di conformità RF applicabile, controllare che il prodotto funzioni normalmente. In caso di funzionamento anomalo, saranno necessarie misure aggiuntive, come un nuovo orientamento o una risistemazione di questo prodotto. Possono verificarsi interferenze nelle vicinanze delle apparecchiature contrassegnate dal seguente simbolo: 

Test di immunità	Test / Livello di conformità	Ambiente elettromagnetico - guida
RF irradiata IEC 61000-4-3	10 V/m da 80 Mhz a 2,7 GHz Per le specifiche di test da 385 MHz a 5785 MHz per l'immunità alle apparecchiature di comunicazione RF wireless, fare riferimento alla tabella 9 della norma IEC 60601-1-2:2014.	Non utilizzare apparecchiature di comunicazione RF portatili e mobili a una distanza inferiore a 30 cm da qualsiasi parte di questo prodotto, compresi i cavi.



Queste indicazioni possono non essere valide in tutte le situazioni. La propagazione elettromagnetica è pregiudicata dall'assorbimento e dalla riflessione di strutture, oggetti e persone.

Contenido

Este manual DEBE ser entregado al usuario final. ANTES de usar este producto lea este manual y guárdelo para futuras referencias.

1 Generalidades	.130
1.1 Introducción	.130
1.2 Símbolos en este manual.	.130
1.3 Garantía	.131
1.4 Cumplimiento	.131
1.4.1 Normas específicas del producto	.131
1.5 Uso previsto	.131
1.6 Vida útil	.132
2 Seguridad.	.133
2.1 Información sobre seguridad	.133
2.2 Información de seguridad sobre compatibilidad electromagnética	.134
2.3 Etiquetas y símbolos en el producto	.134
3 Instalación	.136
3.1 Información sobre seguridad	.136
3.2 Contenido de la entrega	.136
3.3 Ajuste del elevador de bañera	.137
3.4 Carga de la batería	.140
4 Utilización	.142
4.1 Información de seguridad	.142
4.2 Control del elevador de bañera	.142
4.3 Bañarse	.144
5 Transporte	.146
5.1 Información sobre seguridad	.146
5.2 Desmontaje del elevador de bañera.	.146
6 Mantenimiento	.148
6.1 Mantenimiento y servicio	.148
6.2 Limpieza y desinfección	.148

7 Después del uso.	.150
7.1 Almacenamiento	.150
7.2 Reutilización	.150
7.3 Eliminación	.150
8 Solución de problemas.	.151
8.1 Identificación y reparación de fallos.	.151
9 Datos Técnicos	.153
9.1 Dimensiones y peso	.153
9.2 Datos electrónicos.	.153
9.3 Materiales.	.154
9.4 Parámetros medioambientales.	.154
10 Compatibilidad electromagnética (EMC)	.155
10.1 Información general sobre EMC.	.155
10.2 Emisiones electromagnéticas	.155
10.3 Inmunidad electromagnética	.156

1 Generalidades

1.1 Introducción

Este manual del usuario contiene información importante sobre el manejo del producto. Para garantizar la seguridad cuando utilice el producto, lea detenidamente el manual del usuario y siga las instrucciones de seguridad.

Tenga en cuenta que puede haber secciones de este manual del usuario que no sean relevantes para su producto, ya que este manual se aplica a todos los modelos disponibles (en la fecha de impresión). Si no se indica lo contrario, cada sección de este manual hace referencia a todos los modelos del producto.

Los modelos y las configuraciones disponibles en su país pueden encontrarse en las listas de precios específicas del país.

Invacare se reserva el derecho de modificar las especificaciones del producto sin previo aviso.

Antes de leer este manual, asegúrese de contar con la versión más reciente. Podrá encontrarla en formato PDF en el sitio web de Invacare.

Si la versión impresa del manual del usuario tiene un tamaño de letra que le resulta difícil de leer, podrá descargarlo en formato PDF en el sitio web. Podrá ampliar el PDF en pantalla a un tamaño de letra que le resulte más cómodo.

Para obtener más información sobre el producto, por ejemplo, avisos de seguridad sobre el producto y retiradas del producto, póngase en contacto con su representante

de Invacare. Consulte las direcciones al final de este documento.

1.2 Símbolos en este manual

En este manual, las advertencias están indicadas con símbolos. A los símbolos de las advertencias se les añade un encabezado que indica la gravedad del peligro.



ADVERTENCIA

Indica una situación peligrosa que, si no se evita, podría tener como consecuencia la muerte o lesiones graves.



PRECAUCIÓN

Indica una situación peligrosa que, si no se evita, podría tener como consecuencia lesiones menos graves.



IMPORTANTE

Indica una situación peligrosa que, si no se evita, podría tener como consecuencia daños a la propiedad.



Consejos y recomendaciones

Proporciona consejos útiles, recomendaciones e información para un uso eficiente y sin problemas.



Este producto cumple con la Directiva 93/42/CEE en lo concerniente a productos sanitarios. La fecha de lanzamiento de este producto figura en la declaración de conformidad CE.



Fabricante del producto.

1.3 Garantía

Ofrecemos la garantía del fabricante del producto conforme a nuestras Condiciones generales y Condiciones comerciales en los distintos países. Las reclamaciones relativas a la garantía solo pueden efectuarse a través del proveedor en el que se adquirió el aparato.

Las fundas y las ventosas no están incluidas en esta garantía.

1.4 Cumplimiento

La calidad es fundamental para el funcionamiento de la empresa, que trabaja conforme a las normativas ISO 13485.

Este producto lleva la marca CE correspondiente, en cumplimiento con la Directiva sobre dispositivos médicos 93/42/CEE Clase 1.

Trabajamos continuamente para garantizar que se reduzca al mínimo el impacto medioambiental de la empresa, tanto a nivel local como global.

Solo utilizamos materiales y componentes que cumplen con las directivas REACH.

Cumplimos con las leyes medioambientales actuales RAEE y RoHS.

1.4.1 Normas específicas del producto

El producto cumple con los requisitos de la norma ISO 10535 (Grúas para el traslado de personas con discapacidad).

Para obtener más información, póngase en contacto con Invacare en su país (las direcciones de contacto se incluyen al final de este documento).

1.5 Uso previsto

Los elevadores de bañera facilitan la entrada y la salida de la bañera. Están pensados solamente como ayuda en el baño para personas con movilidad reducida. Se prohíbe cualquier otro uso.

Indicaciones

- Reducción significativa de la funcionalidad o falta de funcionalidad en las extremidades superiores o inferiores (amputaciones, parálisis, trastornos articulares, trastornos neuromusculares con deficiencias en las extremidades) en casos en los que la persona no puede entrar y salir de la bañera o sentarse y levantarse por sí misma. Debe haber un control suficiente del tronco y de la funcionalidad básica de las extremidades.
- Consecuencias crónicas de una enfermedad con limitaciones funcionales de las extremidades superiores o inferiores que no permiten un baño independiente, pero sí un baño suficientemente independiente con la ayuda de un elevador de bañera en los casos en los que no es suficiente el uso de otras ayudas para compensar la discapacidad.

Contraindicaciones

No existen contraindicaciones asociadas con el uso adecuado del producto.

1.6 Vida útil

La vida útil prevista para este producto es de cinco años, siempre y cuando se utilice diariamente y de conformidad con las instrucciones de seguridad, se respeten los intervalos de mantenimiento y se utilice correctamente según lo establecido en este manual. La vida útil real puede variar en función de la frecuencia y la intensidad del uso.

2 Seguridad

2.1 Información sobre seguridad

**¡ADVERTENCIA!**

- No utilice este producto ni cualquier otro equipo opcional disponible sin antes haber leído y comprendido estas instrucciones y cualquier otro material informativo adicional, como manuales del usuario, manuales de servicio u hojas de instrucciones, proporcionados con este producto o equipo opcional. Los manuales de productos de Invacare se encuentran disponibles en Internet o a través de su distribuidor local (la información de contacto se incluye en la contraportada de este manual).
- Si tiene alguna duda relacionada con las advertencias, precauciones o instrucciones, póngase en contacto con un profesional sanitario, su distribuidor o un técnico antes de intentar utilizar este equipo. De lo contrario, existe el riesgo de producirse lesiones o daños.

**¡ADVERTENCIA!****Riesgo de lesiones**

- No utilice el producto si es defectuoso.
- En caso de producirse un fallo de funcionamiento, póngase en contacto con un distribuidor inmediatamente.
- No realice ningún cambio o modificación del producto sin autorización.
- Utilice únicamente recambios diseñados para este producto.

**¡ADVERTENCIA!****Riesgo de lesiones**

- No se suba sobre el elevador de bañera para entrar o salir de la misma y no lo use para subir o bajar, como plataforma de elevación ni con ningún propósito similar.

**¡IMPORTANTE**

- La información incluida en este documento está sujeta a cambios sin previo aviso.
- Compruebe que todas las piezas le hayan sido entregadas en perfecto estado y pruébelas antes de usarlas.

2.2 Información de seguridad sobre compatibilidad electromagnética



¡ADVERTENCIA!

Riesgo de mal funcionamiento debido a interferencias electromagnéticas

Las interferencias electromagnéticas entre este producto y otros equipos eléctricos pueden interferir con las funciones de ajuste eléctrico de este producto. Para evitar, reducir o eliminar dichas interferencias electromagnéticas:

- Utilice únicamente cables, accesorios y recambios originales, no aumente la emisión electromagnética ni reduzca la inmunidad electromagnética de este producto.
- No utilice equipos de comunicaciones por radiofrecuencia (RF) portátiles a menos de 30 cm de cualquiera de las piezas de este producto (incluidos los cables).
- No utilice esta producto cerca de un equipo quirúrgico de alta frecuencia que esté activo ni de una sala blindada contra señales de radiofrecuencia para la realización de resonancias magnéticas, donde la intensidad de las interferencias electromagnéticas es elevada.
- Si se producen interferencias, aumente la distancia entre este producto y el otro equipo o apáguelo.
- Consulte la información detallada y siga las indicaciones del capítulo *10 Compatibilidad electromagnética (EMC)*, página 155



¡ADVERTENCIA!

Riesgo de funcionamiento incorrecto

Las interferencias electromagnéticas pueden afectar al funcionamiento.

- No utilice este producto cerca de otros equipos eléctricos ni encima de ellos. Si no es posible separarlos, debe observarlos detenidamente para asegurarse de que funcionan normalmente.

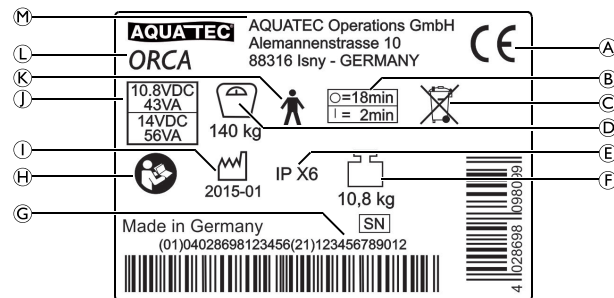


No tenemos constancia de ningún riesgo al utilizar productos como un marcapasos.

2.3 Etiquetas y símbolos en el producto

Etiqueta de identificación

La etiqueta de identificación incluye información importante:



Ⓐ	Marca de conformidad
Ⓑ	Intervalo de uso (no se permite el funcionamiento continuo del motor): máx. 2 minutos de uso continuo, seguido de una pausa de 18 minutos
Ⓒ	Nota (eliminación)
Ⓓ	Peso máximo de usuario
Ⓔ	Tipo de protección
Ⓕ	Peso del producto
Ⓖ	Número de serie
Ⓗ	Lea el manual del usuario
Ⓘ	Fecha de fabricación
Ⓝ	Tensión nominal/potencia nominal, consulte 9.2 <i>Datos electrónicos, página 153</i>
Ⓚ	Pieza aplicada de Tipo B
Ⓛ	Nombre del producto
Ⓜ	Fabricante



La etiqueta de identificación se coloca en la parte trasera del respaldo.

3 Instalación

3.1 Información sobre seguridad



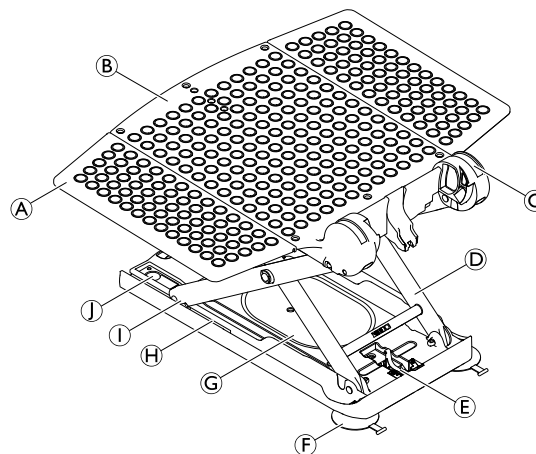
¡ IMPORTANTE

- Compruebe que los componentes no se han dañado durante el transporte antes de ponerlos en funcionamiento; póngase en contacto con el distribuidor si es necesario.
- Durante el montaje, compruebe que las piezas estén correctamente colocadas unas con respecto a las otras.
- Se recomienda lavar las fundas antes de usarlas por primera vez, consulte el capítulo 6.2 *Limpieza y desinfección, página 148*

3.2 Contenido de la entrega

Este manual del usuario se refiere a los modelos ORCA, ORCA F y ORCA XL. Estos modelos difieren en lo relativo al peso y al peso máximo del usuario, consulte la sección 9.1 *Dimensiones y peso, página 153*. Los tres modelos disponen, como opción, de funda para el asiento y para el respaldo. El respaldo no se puede bajar en el modelo ORCA F. Los siguientes componentes se incluyen con la entrega:

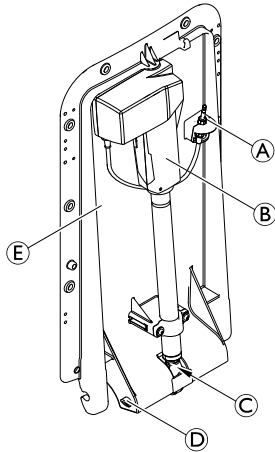
Asiento



(A)	Solapa lateral
(B)	Placa del asiento
(C)	Bisagra del respaldo
(D)	Mecanismo de elevación de tipo tijera
(E)	Alojamiento del pie del husillo
(F)	Ventosas traseras (dos lengüetas con rosca)
(G)	Placa base
(H)	Guía de la zapata de deslizamiento

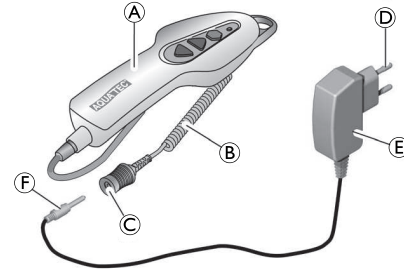
①	Zapata de deslizamiento
②	Ventosas delanteras (una lengüeta con cabezal)

Respaldo



(A)	Clavija jack
(B)	Accionamiento
(C)	Pie del husillo
(D)	Pasador de bloqueo
(E)	Placa del respaldo

Mando y cargador



(A)	Mando con batería
(B)	Cable espiral del mando
(C)	Jack hembra del mando
(D)	Enchufe de red
(E)	Cargador
(F)	Clavija jack del cargador

3.3 Ajuste del elevador de bañera



¡ADVERTENCIA! Riesgo de deslizamiento

El elevador de bañera puede deslizarse si las ventosas no tienen un buen agarre.

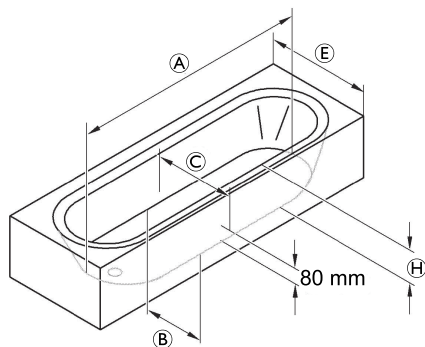
- Limpie la bañera y las ventosas con un paño húmedo antes de ajustar el elevador de bañera.
- Una vez ajustado, no cambie la posición del elevador de bañera dentro de la misma.



¡ADVERTENCIA!

Riesgo de lesiones y daños

- Coloque el elevador de bañera solamente en bañeras que cumplan con las especificaciones de la tabla a continuación.
- Si se produce un desbordamiento lateral en la bañera, utilice las solapas laterales especiales (disponibles como accesorio).



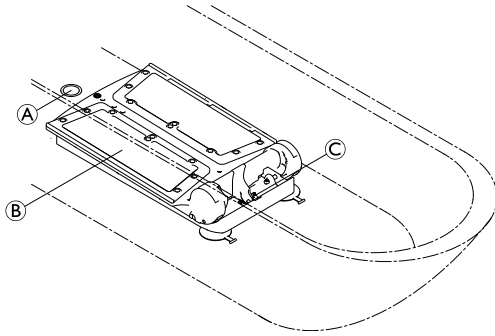
Ⓐ	Longitud de la bañera, fondo	≥ 800 mm
Ⓑ	Anchura de la bañera, fondo (interior)	≥ 280 mm

Ⓒ	Anchura de la bañera, a 80 mm de altura (interior)	≥ 430 mm
Ⓔ	Anchura de la bañera (exterior)	580 - 690 mm (con solapas laterales especiales) 700 - 740 mm (con solapas laterales estándar) 750 - 1000 mm (con solapas laterales especiales)
Ⓕ	Altura de la bañera (interior)	≤ 420 mm (con adaptador de altura, máx. + 60 mm)

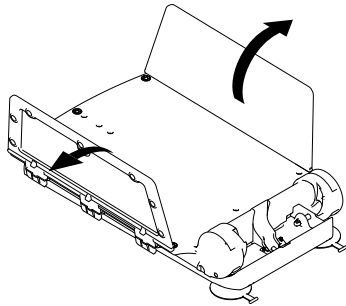


IMPORTANTE

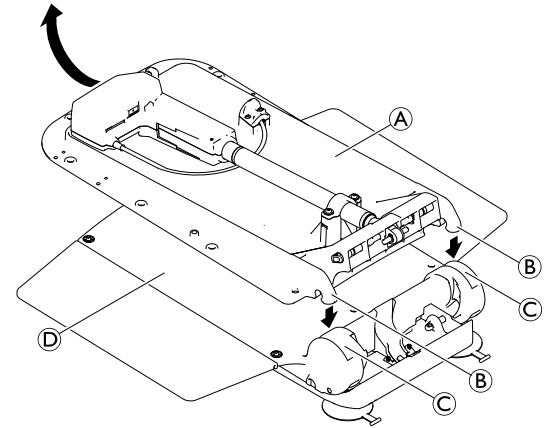
- Asegúrese de que las ventosas estén colocadas correctamente.
- Asegúrese de que la batería del mando esté cargada.
- Asegúrese de que el pie del husillo esté completamente insertado.
- Al levantar los componentes del elevador de bañera, estudie bien los pesos, consulte la sección 9.1 *Dimensiones y peso*, página 153
- Si la bañera cuenta con una barandilla montada en el interior, utilice los separadores de las solapas laterales (disponibles como accesorio).
- Las solapas laterales se deben abatir hacia fuera antes de abatir el respaldo.



1. Coloque el asiento **B** sobre el fondo de la bañera vacía. Asegúrese de que el alojamiento del pie del husillo **C** esté orientado hacia el extremo de la bañera situado en el lado opuesto del desagüe **A**.



2. Abata las solapas laterales del asiento hacia fuera.



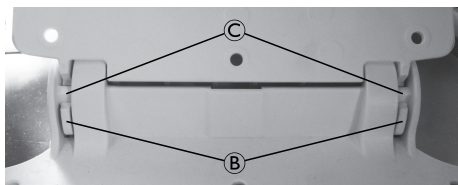
3. Coloque el respaldo **A** (sin el mando) sobre el asiento de tal manera que los ganchos **B** del respaldo encajen en las bisagras **C** de la placa del asiento **D**.



IMPORTANTE
Riesgo de daños

El producto se puede dañar a causa de un desplazamiento hacia fuera del pie del husillo.

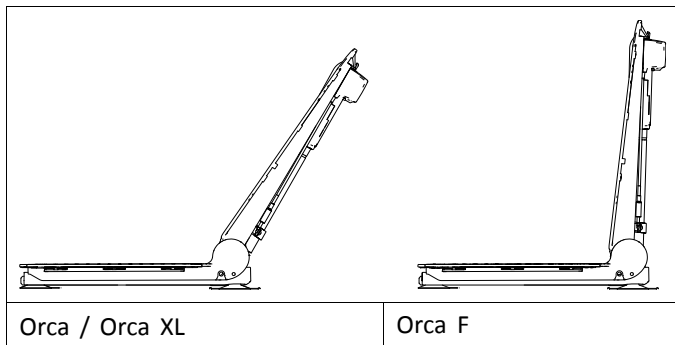
- Antes de abatir el respaldo, compruebe que el husillo se encuentre completamente retraído y que el pie del husillo está nivelado y no torcido.
- Una vez que se haya abatido el respaldo, compruebe que el pie del husillo se encuentre dentro de su alojamiento.



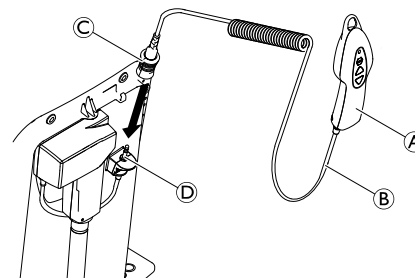
! **IMPORTANTE**
Riesgo de daños

Daños en el producto por un montaje incorrecto del respaldo.

- Asegúrese de que los dos ganchos **B** del respaldo encajan en las bisagras **C** de la placa del asiento.
- Asegúrese de el respaldo reclina hasta la posición final sin ejercer fuerza ni resistencia notable. La posición final se indica en el siguiente gráfico.



4. Agarre el respaldo por el centro del extremo superior y abátalo con cuidado hasta alcanzar la posición final.



5. Encaje el jack hembra con el manguito de desbloqueo **C** del cable espiral **B** del mando **A** en la clavija jack **D** hasta que el bloqueo se acople perceptiblemente.

! **IMPORTANTE**
Riesgo de daños

- Asegúrese de que el respaldo no toca el borde de la bañera.
- Si es necesario recolocó el elevador hacia adelante. Para colocar el elevador de bañera hacia delante en la bañera, baje el elevador hasta el fondo, afloje las ventosas y, a continuación, mueva el elevador de bañera.

3.4 Carga de la batería

El elevador de bañera no debe usarse cuando la batería se está cargando.



¡ADVERTENCIA!

Riesgo de descarga eléctrica

- Recargue la batería únicamente en entornos secos a temperatura ambiente (de 15 °C a 25 °C) y bajo ningún concepto en el cuarto de baño.



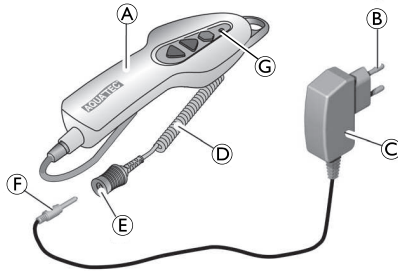
IMPORTANTE

- Utilice únicamente el cargador suministrado para cargar la batería en el mando.
- Enchufe el cargador únicamente a la corriente eléctrica cuando el mando ya esté conectado al cargador.
- Asegúrese de que la especificación de tensión del cargador coincida con la tensión de la corriente eléctrica.



El indicador luminoso rojo © del mando se apaga en cuanto la batería está completamente cargada. No es posible "sobrecargar" la batería.

3. Desconecte el cargador de la toma de corriente.
4. Extraiga la clavija jack del cargador del jack hembra del mando.



1. Enchufe la clavija jack ⑥ del cargador ③ en el jack hembra ⑤ del cable espiral ④ del mando ① hasta que encaje.
2. Inserte el enchufe de red ② del cargador en una toma de corriente.

4 Utilización

4.1 Información de seguridad



¡PRECAUCIÓN!

Si sobrecarga el elevador de bañera, puede provocar daños en el dispositivo o evitar que se eleve.

- No sobrecargue el elevador de bañera y tenga en cuenta las especificaciones de la placa de identificación y los datos técnicos de la sección *9.1 Dimensiones y peso, página 153* en relación con la capacidad de carga.



¡PRECAUCIÓN!

Peligro de atraparse los dedos

- No introduzca los dedos en la guía que se encuentra entre la placa del asiento y el respaldo.
- No coloque los dedos debajo de la base del asiento o entre los mecanismos de elevación tipo tijera.



¡IMPORTANTE

La humedad puede penetrar en un mando defectuoso y dar lugar a un cortocircuito e incendio.

- Antes de utilizar el producto, realice siempre una inspección visual del mismo para detectar posibles daños externos.
- Si la carcasa del mando está dañada o muestra fisuras, no utilice el mando.
- Recargue completamente la batería antes de cada uso, *3.4 Carga de la batería, página 140*

1. Consulte las condiciones de funcionamiento en la sección *9.4 Parámetros medioambientales, página 154*

4.2 Control del elevador de bañera

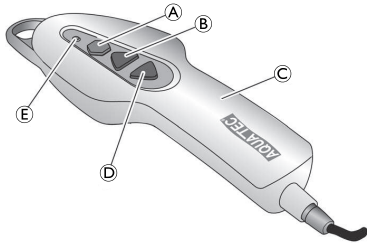
El elevador de bañera puede moverse en las direcciones siguientes:



El elevador de bañera se controla mediante el mando, ya sea por parte del usuario como de un auxiliar.



Con la batería completamente cargada, los aparatos ORCA y ORCA F se pueden utilizar en 5 baños con una carga de 140 kg. El aparato ORCA XL se puede utilizar en 4 baños con una carga de 170 kg.



! **IMPORTANTE**
Riesgo de daños

- El mando solo puede usarse cuando el respaldo está correctamente colocado y en posición vertical.

- !** **IMPORTANTE**
- Si la batería del mando © no está suficientemente cargada, el indicador luminoso rojo ⑤ se encenderá cuando se pulse el botón Bajar ④. En este caso, se desactiva la función de bajada del elevador de bañera. Sin embargo, sí que podrá elevarlo.
- Recargue la batería inmediatamente después de elevar el elevador de bañera.

Elevación

- !** **IMPORTANTE**
- Cuando el respaldo está reclinado, su primer movimiento será regresar a la posición vertical (excepto en el modelo ORCA F).

1. Pulse la tecla Subir ② del mando y manténgala pulsada. EL respaldo girará a la posición vertical o el asiento se desplazará hacia arriba.
2. Suelte el botón Subir del mando. El elevador de bañera se detendrá en la posición actual.

Descenso

- !** **IMPORTANTE**
- Si el asiento ya ha bajado, el respaldo reclina hacia atrás (excepto en el modelo ORCA F).

1. Pulse la tecla Bajar ④ del mando y manténgala pulsada. El asiento baja o el respaldo reclina hacia atrás.
2. Suelte el botón Bajar del mando. El elevador de bañera se detendrá en la posición actual.


Parada de emergencia

- !** **IMPORTANTE**
- Pulse únicamente el botón de parada de emergencia ① si el dispositivo no se detiene en el momento de soltar el botón Subir o Bajar (por ejemplo, al atascarse un botón). El movimiento del elevador de bañera se detiene al instante y el diodo emisor de luz de color rojo integrado en el mando se ilumina.

Al apagarse el diodo emisor de luz roja después de haber soltado el botón de parada de emergencia se habrá eliminado el error (p. ej. soltando el botón de nuevo). El dispositivo volverá a estar listo para el funcionamiento.

En caso de que el diodo emisor de luz roja siga iluminado después de haber soltado el botón de parada de emergencia,

todavía no se ha eliminado el error. El dispositivo no estará listo para el funcionamiento y deberá repararse, p. ej. en caso de daño del sistema eléctrico.

 Si es necesario, póngase en contacto con su proveedor especialista.

4.3 Bañarse



¡ADVERTENCIA!

Riesgo de deslizamiento

El elevador de bañera puede deslizarse si las ventosas no tienen un buen agarre.

- Antes de utilizar el elevador de bañera, asegúrese de que esté colocado correctamente y de que no pueda volcar.
- Asegúrese de que el elevador de bañera se ajuste en la bañera, → *3.3 Ajuste del elevador de bañera, página 137.*



¡ADVERTENCIA!

- Si, debido a su estado, no puede bañarse por sí mismo, utilice únicamente el dispositivo bajo la supervisión de otra persona.
- Si se utiliza el dispositivo sin supervisión, asegúrese de contar con un sistema de alarma o teléfono a mano, en caso de eventos imprevistos, por ejemplo, un funcionamiento defectuoso.



¡PRECAUCIÓN!



Los aceites o las sales de baño pueden perjudicar el rendimiento del mecanismo de elevación de tipo tijera.



- Si usa aceites o sales de baño, preste atención a la dosis recomendada.




¡IMPORTANTE


- Haga que el mecanismo de elevación se mueva una vez hacia arriba y hacia abajo sin carga (prueba de funcionamiento).
- Antes de utilizarlo, compruebe la temperatura del agua del baño.

1. Mantenga presionada la tecla Subir  hasta que el asiento quede al nivel del borde de la bañera.
2. Las solapas laterales deben quedar sobre el borde de la bañera al mismo nivel que el asiento apoyando de manera segura.
3. Llene la bañera de agua.
4. Siéntese sobre la solapa lateral más cercana a usted como si se sentara sobre una silla.
5. Deslícese hacia atrás hasta la mitad del asiento.
6. Gírese a la posición del baño. Para ello pase primero una pierna y después la otra por encima del borde de la bañera.
7. Una vez que esté correctamente sentado mantenga pulsado el botón Bajar  para bajar al interior de la bañera.

 Una vez que el asiento alcance la posición inferior, podrá reclinar el respaldo si sigue pulsando el botón Bajar . De este modo se logra una postura de baño más cómoda y permite sumergirse aún más en el agua del baño (excepto en el modelo ORCA F).

8. Continúe pulsando el botón Bajar hasta que el respaldo alcance la posición deseada.

 La salida de la bañera se efectúa siguiendo los mismos pasos en el orden inverso.

9. Para elevar el respaldo o el elevador de bañera, pulse el botón Subir  hasta que el asiento quede al nivel del borde de la bañera.



IMPORTANTE

- Desconecte el mando del dispositivo cuando el elevador de bañera no este en uso, consulte la sección 5.2 *Desmontaje del elevador de bañera*, página 146 paso 3.

5 Transporte

5.1 Información sobre seguridad



¡PRECAUCIÓN!

Cuando el respaldo está abatido, no se encuentra bloqueado y es posible que se desprenda.

- No extraiga las ventosas mientras transporte el elevador de bañera.
- Extraiga el mando del respaldo durante el transporte.
- Consulte las condiciones de envío y almacenamiento en la sección 9.4 *Parámetros medioambientales*, página 154

1. Retire el mando.
2. Desmonte el elevador de bañera en dos partes para efectuar el transporte (asiento y respaldo), → 5.2 *Desmontaje del elevador de bañera*, página 146

5.2 Desmontaje del elevador de bañera

1. Deje salir el agua de la bañera.
2. Baje el elevador de bañera con la tecla Bajar hasta que el respaldo se detenga en la posición final más baja, → 4.2 *Control del elevador de bañera*, página 142

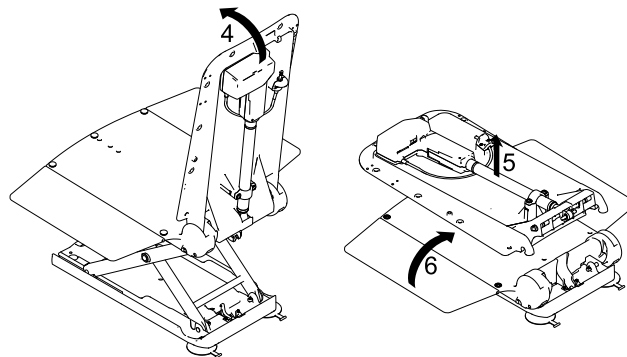
3. Desbloquee el jack hembra del cable espiral del mando desplazando el manguito de desbloqueo hacia arriba y retírelo de la clavija jack.



IMPORTANTE

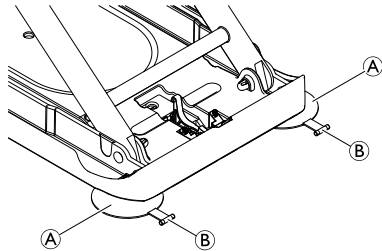
Riesgo de daños

- Al abatir el respaldo, asegúrese de que el cable espiral del mando no quede atrapado.
- Abata el respaldo únicamente cuando ya no quede agua en la bañera.



4. Agarre el respaldo con una mano por el extremo superior y abátalo hacia adelante hasta alcanzar la posición final.
5. Levante hacia arriba el respaldo del asiento y sáquelo de la bañera.

6. Abata hacia adentro las solapas laterales del asiento.



IMPORTANTE

- Suelte las dos ventosas traseras al mismo tiempo.

7. Suelte la ventosa trasera **A** tirando hacia arriba de su lengüeta **B**.
8. Siga levantando el asiento por la parte de atrás. Esto hará que se suelten las ventosas delanteras.



IMPORTANTE

- Si los adaptadores de altura están instalados (opcional), también deberá tirar de las lengüetas de las ventosas delanteras para soltarlas.

9. Saque el asiento de la bañera.
10. Guarde cuidadosamente todas las partes del aparato elevador de bañera.

6 Mantenimiento

6.1 Mantenimiento y servicio

Si se siguen las indicaciones de limpieza y seguridad, el producto no necesitará ningún mantenimiento.



¡ IMPORTANTE

Únicamente el fabricante del elevador de bañera puede abrir el mando.

1. Compruebe con regularidad que el producto no esté dañado y que esté montado de forma segura.
2. En caso de producirse daños y/o reparaciones necesarias, póngase en contacto de inmediato con el proveedor.
3. El elevador de bañera debe revisarlo un proveedor autorizado antes de cada reutilización. Se recomienda revisar el elevador de bañera tras 24 meses como máximo (de acuerdo con la norma EN ISO 10535).
4. Si no utiliza el elevador de bañera durante un periodo prolongado, cargue totalmente la batería y a continuación haga que el elevador de bañera se desplace 3 veces hacia arriba y hacia abajo sin carga alguna. Repita este proceso cada 3 meses. Así se mantendrá la vida útil de la batería.

6.2 Limpieza y desinfección

El producto puede limpiarse y desinfectarse con productos disponibles en el mercado.

1. Desinfecte el producto limpiando todas las superficies accesibles con desinfectante (después de desmontarlo, si es posible).



¡ IMPORTANTE

Todos los productos de limpieza y desinfectantes empleados deben ser eficaces, compatibles entre sí y deben proteger los materiales que se van a limpiar.

- Para obtener más información sobre descontaminación en entornos sanitarios, consulte las directrices de "The National Institute for Clinical Excellence" sobre control de infecciones www.nice.org.uk/CG139, así como su política local de control de infecciones.
- Limpie el dispositivo a mano con regularidad.
- No utilice productos de limpieza abrasivos.

Limpieza del asiento y del respaldo



¡PRECAUCIÓN!

Peligro de atraparse los dedos

- Al limpiar, tenga especial cuidado con el área del mecanismo de elevación de tipo tijera, ya que podría moverse y causar lesiones.




¡ IMPORTANTE

Riesgo de daños

- No limpie nunca el respaldo con un limpiador a alta presión.

1. Lave el producto utilizando un paño o un cepillo.
2. Enjuague el producto con agua caliente.
3. Seque el producto con un paño.
4. Engrase ligeramente con vaselina la guía para el patín de deslizamiento (Fig. Sec. 3.2, Ⓜ).

Limpieza de las fundas (opcional)

 Se recomienda lavar las fundas antes de usarlas por primera vez. Por motivos de higiene, se recomienda lavar las fundas regularmente y cambiarlas una vez al año.

1. Desabotone las fundas del asiento y del respaldo.
2. Lave las fundas en una lavadora a una temperatura máxima de 60 °C con un detergente suave.

IMPORTANTE **Riesgo de daños**

- Si se lavan a altas temperaturas, las fundas se pueden dañar o encoger.
- No seque las fundas en la secadora.

Limpieza del cargador y del mando

¡ADVERTENCIA! **Riesgo de descarga eléctrica**

- Desconecte siempre el enchufe de la toma de corriente antes de limpiar el cargador.
- No introduzca nunca objetos fabricados con materiales conductores (por ejemplo, agujas de tejer o clavos metálicos) en el jack hembra del mando.
- No limpie nunca el cargador con un trapo mojado o húmedo.

1. Limpie el cargador con un paño seco.
2. Limpie el mando con un paño húmedo y séquelo con un paño seco.

7 Después del uso

7.1 Almacenamiento



¡IMPORTANTE!

Riesgo de daños

- No guarde el producto cerca de fuentes de calor.
- No exponga el producto a la luz solar directa.
- Consulte las condiciones de envío y almacenamiento en la sección 9.4 *Parámetros medioambientales*, página 154

7.2 Reutilización

El producto puede reutilizarse. El número de reutilizaciones depende de la frecuencia del uso y de la manera en que se haya usado el producto. Antes de una reutilización, el producto debe someterse a una preparación higiénica (→ 6.2 *Limpieza y desinfección*, página 148). Asimismo, debe comprobarse que se encuentra en un estado de funcionamiento adecuado y seguro. Si es necesario, repárelo.

7.3 Eliminación

Los productos usados y los embalajes se deben desechar y reciclar según las normas locales correspondientes.



¡ADVERTENCIA!

- No arroje nunca el mando al fuego ni lo guarde cerca de una llama viva.

Obligación de informar conforme a la directiva alemana sobre baterías, BattG:

El presente producto contiene una batería de ion de litio recargable. Las baterías ya gastadas o las que ya no se pueden recargar, no se deben depositar en la basura doméstica. Las baterías usadas pueden incluir sustancias nocivas para el medio ambiente y la salud pública.

Devuelva estas baterías a un minorista o deposítelas en un punto de recogida municipal. Entregar las baterías no tiene coste alguno y está exigido por la ley.

Deposite solo baterías descargadas en los contenedores previstos para ello y en el caso de las baterías de litio, aisle los polos con cinta adhesiva.

8 Solución de problemas

8.1 Identificación y reparación de fallos



En la siguiente tabla se incluye información sobre fallos de funcionamiento y sus posibles causas. Si no puede corregir el funcionamiento incorrecto con las soluciones indicadas, póngase en contacto directamente con su proveedor.

Fallo	Posible causa	Solución
No se oye el ruido del motor/el elevador no se mueve.	El jack hembra del mando no encaja correctamente.	Encaje el jack hembra, → 3.3 <i>Ajuste del elevador de bañera, página 137</i>
	La batería está descargada.	Recargue completamente la batería, → 3.4 <i>Carga de la batería, página 140</i>
	Los contactos están sucios.	Limpie el enchufe del respaldo → si es necesario, póngase en contacto con su proveedor.
	El cable ha quedado prensado/se ha dañado.	Sustituya el mando, → si es necesario, póngase en contacto con su proveedor.
El elevador se puede elevar, pero no bajar.	La protección de bajo voltaje se ha activado.	Recargue completamente la batería, → 3.4 <i>Carga de la batería, página 140</i>
El elevador se detiene al subir.	La carga es excesiva.	Tenga en cuenta la carga máxima, → 9.1 <i>Dimensiones y peso, página 153</i>
El elevador de bañera no se adhiere a la bañera con seguridad.	Las ventosas están muy usadas o dañadas.	Sustituya las ventosas, → si es necesario, póngase en contacto con su proveedor.
La batería no se carga y el indicador luminoso rojo parpadea durante la carga.	El sistema electrónico es defectuoso.	Solicite al proveedor autorizado que compruebe el mando.
	La batería es defectuosa.	Cambie el mando.

Fallo	Posible causa	Solución
	El cargador es defectuoso.	Solicite al proveedor autorizado que compruebe el cargador.
	La batería se calienta demasiado.	No cargue el mando cerca de fuentes de calor como, por ejemplo, aparatos que emiten calor o la luz del sol directa. La carga continúa automáticamente una vez que la temperatura desciende a límites permisibles.

9 Datos Técnicos

9.1 Dimensiones y peso

Longitud total en la posición más baja	920 mm
Longitud total en la posición más alta	650 mm
Altura total en la posición más alta	1075 mm
Longitud del asiento	590 mm
Anchura del asiento con las solapas laterales desplegadas	715 mm
Anchura del asiento con las solapas laterales retraídas	390 mm
Altura del asiento en la posición más baja	60 mm
Altura del asiento en su posición más alta	420 mm
Anchura del respaldo	360 mm
Ángulo mínimo del respaldo	8°
Anchura de la placa base	295 mm
Carga máx. (ORCA / ORCA F) Carga máx. (ORCA XL)	140 kg 170 kg
Peso total sin mando (ORCA) (ORCA F) (ORCA XL)	10,8 kg 11,4 kg 11,6 kg
Peso del asiento (ORCA) (ORCA F) (ORCA XL)	6,6 kg 7,2 kg 7,4 kg

Peso del respaldo (ORCA / ORCA F / ORCA XL)	4,2 kg
Peso del mando	0,4 kg
Peso del cargador	0,1 kg

9.2 Datos electrónicos

Fuerza de accionamiento de los botones del mando	< 5 N
Tensión de funcionamiento del mando ¹⁾	10,8 V CC / 14 V CC
Potencia nominal de entrada ¹⁾	43 VA / 56 VA
Corriente nominal	4 A
Tipo de batería	Ion de litio
Entrada del cargador	100 - 240 V CA, 50 - 60 Hz
Salida del cargador	24 V CC, 135 mA, 3 VA
Tiempo de carga a partir de la advertencia de tensión baja	aprox. 4,5 h
Tipo de protección del accionamiento	IP X6 W ²⁾
Tipo de protección del mando	IP 67 ³⁾
Tipo de protección de todo el dispositivo	IP X6 ⁴⁾
Nivel de potencia acústica	52 dB(A)

El pistón no se desactiva cuando el producto se sobrecarga. No sobrecargue el elevador de bañera para evitar daños.

- 1) 10,8 V CC / 43 VA válido si se utilizan mandos cuyo voltaje, indicado en la parte posterior del mando, sea de 10,8 V. 14 V CC / 56 VA válido si se utilizan mandos cuyo voltaje, indicado en la parte posterior del mando, sea de 14 V.
- 2) Protegido frente a la entrada de agua en caso de producirse fuertes chorros de agua, probado bajo condiciones meteorológicas estipuladas.
- 3) A prueba de polvo y protegido para evitar la entrada de agua en inmersiones temporales.
- 4) Protegido para evitar la entrada de agua en el caso de producirse fuertes chorros de agua.

9.3 Materiales

Respaldo	PPGF
Placa del asiento	PPGF
Fundas	PVC



Todos los materiales utilizados son resistentes a la corrosión y no contienen látex.

9.4 Parámetros medioambientales

Condiciones de funcionamiento	
Temperatura ambiente	De 10 a 40 °C
Humedad relativa	Del 15 % al 93 % sin condensación

Presión atmosférica	De 795 a 1060 hPa
Condiciones de envío y almacenamiento	
Temperatura ambiente	De 0 a 40 °C
Humedad relativa	Del 30 % al 75 % sin condensación
Presión atmosférica	De 795 a 1060 hPa

10 Compatibilidad electromagnética (EMC)

10.1 Información general sobre EMC

Los equipos eléctricos médicos deben instalarse y utilizarse de acuerdo con la información sobre EMC de este manual.

Este equipo se ha probado y cumple con los límites de EMC establecidos por IEC/EN 60601-1-2 para equipos de Clase B.

Los equipos de comunicaciones por radiofrecuencia portátiles y móviles pueden afectar al funcionamiento de este producto.

Otros dispositivos pueden experimentar interferencias provocadas incluso por los bajos niveles de emisiones electromagnéticas permitidos por el estándar anterior. Para determinar si la emisión de este producto es la causa de la interferencia, hágalo funcionar y párelo después. Si la interferencia con el funcionamiento del otro dispositivo se interrumpe, entonces este producto es el causante. En esos casos excepcionales, la interferencia se puede reducir o corregir mediante las siguientes acciones:

- Cambie de posición el equipo, reubíquelo o aumente la separación entre los dispositivos.

10.2 Emisiones electromagnéticas

Directrices y declaración del fabricante

Este producto se ha diseñado para utilizarse en el entorno electromagnético que se especifica a continuación. El cliente o usuario de este producto debe comprobar que se utiliza en dicho entorno.

Prueba de emisiones	Cumplimiento	Entorno electromagnético: guía
Emisiones de RF CISPR 11	Grupo I	Este producto utiliza energía de RF únicamente para su funcionamiento interno. Por lo tanto, sus emisiones de RF son muy bajas y no es probable que causen interferencias con equipos electrónicos cercanos.
Emisiones de RF CISPR 11	Clase B	Este producto es adecuado para su uso en todos los establecimientos, incluidos los establecimientos domésticos y aquellos conectados directamente a la red pública de suministro de baja tensión que abastece servicios utilizados para fines domésticos.

Emisiones de armónicos IEC 61000-3-2	Clase A	
Fluctuaciones de tensión/emisiones de parpadeo IEC 61000-3-3	Cumple	


10.3 Inmunidad electromagnética

Directrices y declaración del fabricante

Este producto se ha diseñado para utilizarse en el entorno electromagnético que se especifica a continuación. El cliente o usuario de este producto debe comprobar que se utiliza en dicho entorno.

Prueba de inmunidad	Nivel de prueba/cumplimiento	Entorno electromagnético: guía
Descarga electrostática (ESD) IEC 61000-4-2	± 8 kV contacto ± 2 kV, ± 4 kV, ± 8 kV, 15 kV aire	Los suelos deben ser de madera, de cemento o de baldosas de cerámica. Si los suelos están cubiertos con material sintético, la humedad relativa debería ser de al menos un 30 %.
Transitorios y pulsos electrostáticos IEC 61000-4-4	± 2 kV para las líneas de suministro eléctrico; 100 kHz de frecuencia de entrada ± 1 kV para las líneas de suministro de entrada y salida; 100 kHz de frecuencia de entrada	La calidad de la red de suministro eléctrico debería ser la habitual de un entorno comercial u hospitalario.

Prueba de inmunidad	Nivel de prueba/cumplimiento	Entorno electromagnético: guía
Sobretensión IEC 61000-4-5	± 1 kV de línea a línea ± 2 kV de línea a toma de tierra	La calidad de la red de suministro eléctrico debería ser la habitual de un entorno comercial u hospitalario.
Caídas de tensión, interrupciones breves y variaciones de voltaje en las líneas de suministro de entrada IEC 61000-4-11	< 0 % U_T durante 0,5 ciclo en pasos de 45° 0 % U_T durante 1 ciclo 70 % U_T durante 25/30 ciclos < 5 % U_T durante 250/300 ciclos	La calidad de la red de suministro eléctrico debería ser la habitual de un entorno comercial u hospitalario. Si el usuario de este producto necesita que esté operativo durante las interrupciones del suministro de energía, se recomienda alimentar el producto mediante un sistema de alimentación ininterrumpida o una batería. U_T es el voltaje de corriente alterna de la red antes de la aplicación del nivel de prueba.
Campo magnético de la frecuencia de alimentación (50/60 Hz) IEC 61000-4-8	30 A/m	Los campos magnéticos de frecuencia de alimentación deberían estar en los niveles característicos de un entorno hospitalario o comercial.

Prueba de inmunidad	Nivel de prueba/cumplimiento	Entorno electromagnético: guía
RF conducida IEC 61000-4-6	3 V 150 kHz a 80 Mhz 6 V en bandas ISM y bandas de radioaficionados	<p>No es posible predecir teóricamente con exactitud la intensidad de campo de los transmisores fijos, como las emisoras de radioaficionados, las estaciones base de radioteléfonos (móviles/inalámbricos) y de radios móviles terrestres, así como las emisoras de radio AM y FM y de televisión. Para evaluar el entorno electromagnético causado por transmisores de RF fijos, debería realizarse un estudio electromagnético del emplazamiento. Si la intensidad del campo del emplazamiento en el que se utiliza este producto supera el nivel de cumplimiento de RF indicado anteriormente, es necesario observar el producto para comprobar que funciona correctamente. Si se observa un funcionamiento anormal, será preciso tomar las medidas necesarias, como la reorientación o reubicación del producto.</p> <p>Es posible que se produzcan interferencias cerca de los equipos marcados con el símbolo siguiente: </p>
RF radiada IEC 61000-4-3	10 V/m 80 Mhz a 2,7 GHz Para las especificaciones de prueba de 385 MHz - 5785 MHz sobre la inmunidad a los equipos de comunicación inalámbricos por radiofrecuencia, consulte la tabla 9 de IEC 60601-1-2:2014	No deben usarse equipos de comunicaciones por radiofrecuencia móviles y portátiles a menos de 30 cm de cualquiera de las piezas de este producto, incluidos los cables.



Estas directrices no se aplican en todas las situaciones. La propagación electromagnética se ve afectada por la absorción y la reflexión en estructuras, objetos y personas.

Índice

Este manual TEM de ser fornecido ao utilizador do produto. ANTES de utilizar este produto, leia este manual e guarde-o para futuras consultas.

1 Geral	160
1.1 Introdução	160
1.2 Símbolos utilizados neste manual	160
1.3 Garantia	161
1.4 Conformidade	161
1.4.1 Normas específicas do produto	161
1.5 Utilização prevista	161
1.6 Vida útil	161
2 Segurança	163
2.1 Informações de segurança	163
2.2 Informação de segurança sobre compatibilidade eletromagnética	164
2.3 Etiquetas e símbolos no produto	164
3 Configuração	166
3.1 Informações de segurança	166
3.2 Material incluído na entrega	166
3.3 Configurar o elevador de banheira	168
3.4 Carregar a bateria	171
4 Utilização	173
4.1 Informações de segurança	173
4.2 Controlar o elevador de banheira	173
4.3 Tomar banho	175
5 Transporte	177
5.1 Informações de segurança	177
5.2 Remover o elevador de banheira	177
6 Manutenção	179
6.1 Manutenção e assistência	179

6.2 Limpeza e desinfeção	179
7 Após a utilização	181
7.1 Armazenamento	181
7.2 Reutilização	181
7.3 Eliminação	181
8 Resolução de problemas	182
8.1 Identificar e reparar falhas	182
9 Características Técnicas	184
9.1 Dimensões e peso	184
9.2 Dados electrónicos	184
9.3 Materiais	185
9.4 Parâmetros ambientais	185
10 Compatibilidade eletromagnética (EMC)	186
10.1 Informações gerais sobre compatibilidade eletromagnética (EMC)	186
10.2 Emissões eletromagnéticas	186
10.3 Imunidade eletromagnética	187

1 Geral

1.1 Introdução

Este manual de utilização contém informações importantes sobre o manuseamento do produto. Para garantir a segurança durante a utilização do produto, leia atentamente o manual de utilização e siga as instruções de segurança.

Tenha em atenção que este manual de utilização pode conter secções não aplicáveis ao seu produto, uma vez que se refere a todos os modelos disponíveis (à data da impressão). Salvo menção em contrário, cada secção deste manual refere-se a todos os modelos do produto.

Os modelos e configurações disponíveis no seu país podem ser encontrados em catálogos de preços específicos do país.

A Invacare reserva-se o direito de alterar as especificações do produto sem aviso prévio.

Antes de ler este manual, certifique-se de que tem a versão mais recente. A versão mais recente está disponível no site da Invacare, em formato PDF.

Se o tamanho do tipo de letra na versão impressa do manual de utilização for difícil de ler, pode transferir uma versão em PDF do manual a partir do site. A imagem do PDF pode ser ajustada no ecrã para um tamanho de tipo de letra que lhe seja mais cómodo.

Para obter mais informações sobre o produto, por exemplo, avisos de segurança de produtos e retiradas de produtos do mercado, contacte o seu representante da Invacare. Consulte os endereços no final deste documento.

1.2 Símbolos utilizados neste manual

Neste manual as advertências são indicadas por símbolos. Os símbolos de advertência são acompanhados por um cabeçalho que indica a gravidade do perigo.



ADVERTÊNCIA

Indica uma situação perigosa que, se não for evitada, poderá resultar em morte ou em lesões graves.



ATENÇÃO

Indica uma situação perigosa que, se não for evitada, poderá resultar em lesões menores ou ligeiras.



IMPORTANTE

Indica uma situação perigosa que, se não for evitada, poderá resultar em danos à propriedade.



Sugestões e recomendações

Fornece sugestões, recomendações e informações úteis para uma utilização eficiente, sem problemas.



Este produto está em conformidade com a Directiva 93/42/CEE sobre dispositivos médicos. A data de lançamento deste produto é indicada na declaração de conformidade CE.



Fabricante do produto.

1.3 Garantia

Facultamos uma garantia de fabrico para o produto, em conformidade com os nossos Termos e Condições Gerais de Compra nos respetivos países. As reclamações de garantia só podem ser realizadas através do fornecedor ao qual o aparelho foi adquirido.

As capas e as ventosas não estão cobertas por esta garantia.

1.4 Conformidade

A qualidade é fundamental para o funcionamento da empresa, estando em conformidade com a norma ISO 13485.

Este produto apresenta a marca CE, em conformidade com a Diretiva dos Dispositivos Médicos 93/42/CEE de Classe 1.

Temos empreendido um esforço contínuo para reduzir ao mínimo o impacto local e global da empresa no ambiente.

Apenas utilizamos materiais e componentes que cumprem a diretiva REACH.

Cumprimos as legislações vigentes em matéria ambiental, nomeadamente, as diretivas REEE e RoHS.

1.4.1 Normas específicas do produto

O produto cumpre os requisitos da norma ISO 10535 (Dispositivos de levantamento para a transferência de pessoas deficientes).

Para obter mais informações, contacte a Invacare no seu país (as moradas são indicadas no fim deste documento).

1.5 Utilização prevista

Os elevadores de banheira facilitam a entrada e saída da banheira. Destinam-se exclusivamente a servir de acessório de banho para pessoas com mobilidade reduzida. Qualquer outra utilização está interdita.

Indicações

- Redução significativa na função / ausência de funcionalidade dos membros superiores e/ou inferiores (tais como amputações, paralisia, perturbações articulares, perturbações neuromusculares com deficiência nos membros), quando já não é possível uma entrada e saída autónoma da banheira ao, respectivamente, sentar e levantar-se; o controlo do tronco e a capacidade funcional básica dos membros ainda deve ser suficiente.
- Consequências crónicas de doença com limitações funcionais dos membros superiores e/ou inferiores que não permitam um banho autónomo; quando é possível um banho através da utilização do elevador de banheira e não suficientes outros acessórios de banho para compensação da incapacidade.

Contra-indicações

Não há contra-indicações associadas à utilização correcta.

1.6 Vida útil

A vida útil prevista deste produto é de cinco anos, quando o mesmo é utilizado diariamente e em conformidade com as instruções de segurança, intervalos de manutenção e utilização correcta indicados neste manual. A vida

útil efectiva pode variar de acordo com a frequência e intensidade de utilização.

2 Segurança

2.1 Informações de segurança

**ADVERTÊNCIA!**

- Não utilize este produto ou qualquer equipamento opcional disponível sem primeiro ler e compreender estas instruções e todo o material de instrução adicional, assim como os manuais de utilização, os manuais de assistência ou os folhetos de instruções fornecidos com este produto ou com equipamento opcional. Os manuais de produto da Invacare estão disponíveis na Internet ou através do seu fornecedor local (endereços no verso deste manual).
- Se não compreender as advertências, avisos ou instruções, contacte um profissional de cuidados de saúde, o fornecedor ou a equipa técnica antes de tentar utilizar este equipamento – caso contrário, podem ocorrer lesões ou danos.

**ADVERTÊNCIA!****Risco de lesão**

- Não utilizar se apresentar defeitos.
- No caso de avaria, contacte imediatamente o seu representante.
- Não faça quaisquer modificações ou alterações não autorizadas ao produto.
- Utilize apenas peças sobressalentes fabricadas para este produto.

**ADVERTÊNCIA!****Risco de lesão**

- Nunca se coloque de pé sobre o elevador de banheira para entrar ou sair da banheira, não o utilize para apoio ao elevar-se ou ao baixar-se, como plataforma de elevação ou com qualquer objetivo semelhante.

**IMPORTANTE!**

As informações neste documento podem ser alteradas sem aviso prévio.

- Verifique e teste todas as peças antes da utilização para verificar se ocorreram danos no transporte.

2.2 Informação de segurança sobre compatibilidade eletromagnética



ADVERTÊNCIA!

Risco de avaria devido a interferências eletromagnéticas

Podem ocorrer interferências eletromagnéticas entre este produto e outros equipamentos elétricos que podem afetar as funções de regulação elétrica deste produto. Para evitar, reduzir ou eliminar as interferências eletromagnéticas:

- Utilize apenas cabos, acessórios e peças sobressalentes originais para não aumentar as emissões eletromagnéticas nem reduzir a imunidade eletromagnética deste produto.
- Não utilize equipamentos de comunicações de radiofrequência (RF) portáteis a uma distância inferior a 30 cm de qualquer parte deste produto (incluindo cabos).
- Não utilize este produto perto de equipamento cirúrgico ativo de alta frequência, nem de uma sala de imagiologia por ressonância magnética com blindagem de RF, onde a intensidade das perturbações eletromagnéticas é alta.
- Se ocorrerem perturbações, aumente a distância entre este produto e o outro equipamento ou desligue o equipamento.
- Consulte as informações detalhadas e siga a orientação no capítulo 10 *Compatibilidade eletromagnética (EMC)*, página 186



ADVERTÊNCIA!

Risco de avaria

A interferência eletromagnética pode causar problemas de funcionamento.

- Não utilize este produto ao lado de ou empilhado com equipamento elétrico adicional. Se tiver de o fazer, este produto e o equipamento adicional terão de ser observados de perto para confirmar se estão a funcionar normalmente.

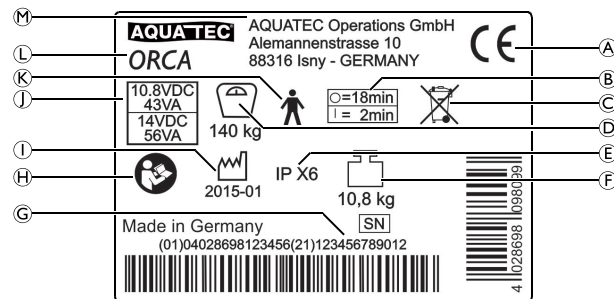


Não temos conhecimento de qualquer risco ao utilizar produtos como um pacemaker cardíaco.

2.3 Etiquetas e símbolos no produto

Etiqueta com identificação

A etiqueta com identificação contém informações importantes:



Ⓐ	Marca de conformidade
Ⓑ	Intervalo de utilização (o funcionamento contínuo do motor não é permitido): utilização contínua durante um máximo de 2 minutos seguida de uma pausa de 18 minutos
Ⓒ	Nota (eliminação)
Ⓓ	Peso máximo do utilizador
Ⓔ	Tipo de protecção
Ⓕ	Peso do produto
Ⓖ	Número de série
Ⓗ	Ler o manual de utilização
Ⓘ	Data de produção
Ⓝ	Tensão nominal/potência nominal, consulte 9.2 <i>Dados electrónicos, página 184</i>
Ⓚ	Peça aplicada de tipo B
Ⓛ	Designação do produto
Ⓜ	Fabricante



A etiqueta com identificação está colocada na parte posterior do encosto.

3 Configuração

3.1 Informações de segurança



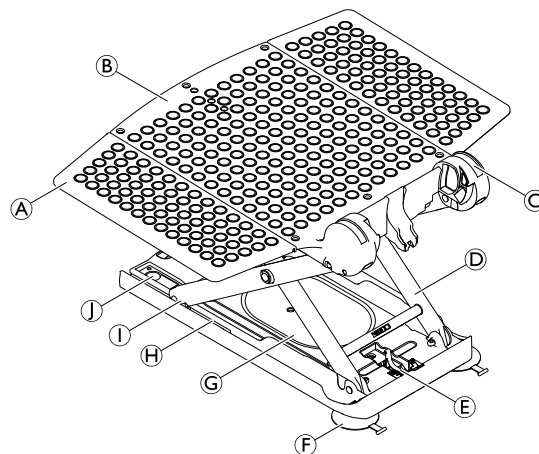
IMPORTANTE!

- Verifique se as peças foram danificadas durante o transporte antes de utilizar e contacte o fornecedor se necessário.
- Durante a montagem, assegure que as peças estão posicionadas corretamente em relação umas às outras.
- Recomenda-se a lavagem das capas antes da primeira utilização. Ver o capítulo 6.2 *Limpeza e desinfeção*, página 179

3.2 Material incluído na entrega

Este manual de utilização refere-se aos modelos ORCA, ORCA F e ORCA XL. Estes Modelos diferem no peso e no peso máximo do utilizador. Consulte a secção 9.1 *Dimensões e peso*, página 184 Um assento e uma capa do encosto estão opcionalmente disponíveis para os três modelos. Não é possível baixar o encosto no modelo ORCA F. Os seguintes componentes são incluídos no material da entrega:

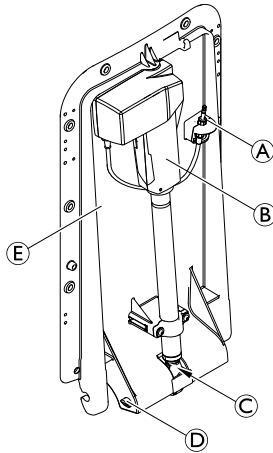
Assento



(A)	Aba lateral
(B)	Placa de assento
(C)	Articulação do encosto
(D)	Tesouras de elevação
(E)	Retentor do suporte do eixo
(F)	Ventosas posteriores (duas linguetas com rosca)
(G)	Placa de base
(H)	Calha para o calço de deslizamento

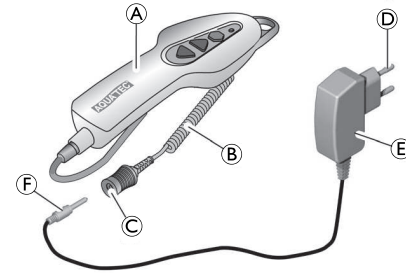
①	Calço de deslizamento
①	Ventosas dianteiras (uma lingueta com cabeça)

Encosto



(A)	Ligação jack
(B)	Tração
(C)	Suporte do eixo
(D)	Pino de bloqueio
(E)	Placa, encosto

Comando e carregador



(A)	Comando com bateria
(B)	Comando com cabo em espiral
(C)	Tomada de ficha jack do comando
(D)	Ficha de alimentação
(E)	Carregador
(F)	Ligação jack do carregador

3.3 Configurar o elevador de banheira



ADVERTÊNCIA!

Risco de desliz

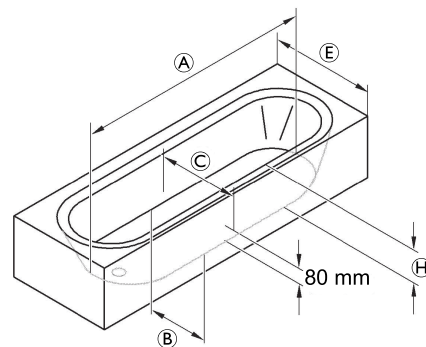
- O elevador de banheira pode escorregar se as ventosas não estiverem a agarrar com firmeza.
- Limpe a banheira e as ventosas com um pano húmido antes de configurar o elevador de banheira.
 - Não modifique a posição do elevador de banheira na banheira depois de o mesmo estar configurado.



ADVERTÊNCIA!

Risco de lesão ou danos!

- Instale o elevador de banheira apenas em banheiras que estejam em conformidade com as especificações da tabela seguinte.
- Se extravasar água pelos lados da banheira, utilize as abas laterais especiais (disponíveis como acessório).



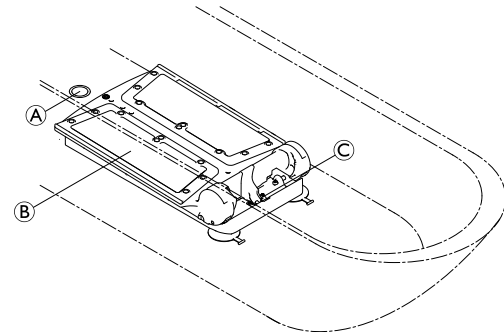
Ⓐ	Comprimento do tubo, base	≥ 800 mm
Ⓑ	Largura do tubo, base (interior)	≥ 280 mm
Ⓒ	Largura do tubo, com altura de 80 mm (interior)	≥ 430 mm

E	Largura do tubo (exterior)	580 - 690 mm (com abas laterais especiais) 700 - 740 mm (com abas laterais standard) 750 - 1000 mm (com abas laterais especiais)
H	Altura do tubo (interior)	≤ 420 mm (com adaptador de altura, máx. + 60 mm)

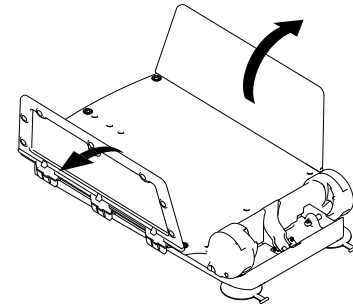


IMPORTANTE!

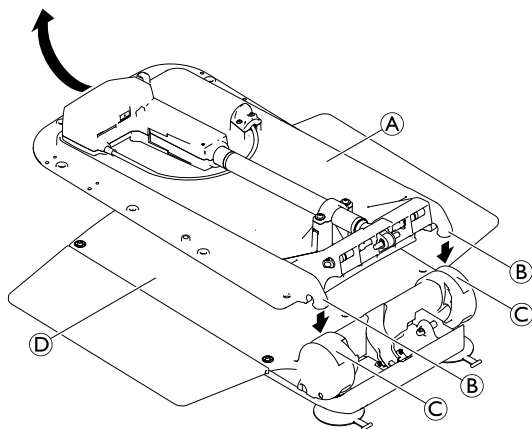
- Assegure que as ventosas estão instaladas corretamente.
- Assegure que a bateria no comando está carregada.
- Assegure que o suporte do eixo está completamente inserido.
- Ao levantar componentes do elevador de banheira, não se esqueça de avaliar corretamente os pesos. Consulte a secção 9.1 *Dimensões e peso, página 184*
- Se a banheira tiver um corrimão montado no interior, utilize os separadores de aba lateral (disponíveis como acessório).
- Dobre as abas laterais para fora antes de dobrar o encosto para cima.



1. Coloque o assento **B** na base da banheira vazia. Assegure que o retedor do suporte do eixo **C** está orientado na direção da extremidade da banheira, no sentido oposto ao ralo **A**.



2. Dobre as abas laterais do assento para fora.

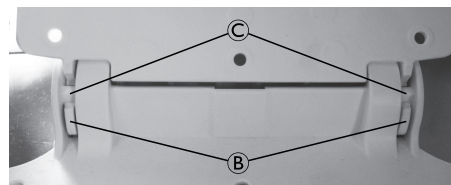


3. Coloque o encosto **A** (sem o comando) no assento de forma que os ganchos **B** do encosto fiquem encaixados nas dobradiças **C** da placa de assento **D**.

! **IMPORTANTE!**
Risco de danos

Danos no produto causados pelo deslizamento do suporte do eixo.

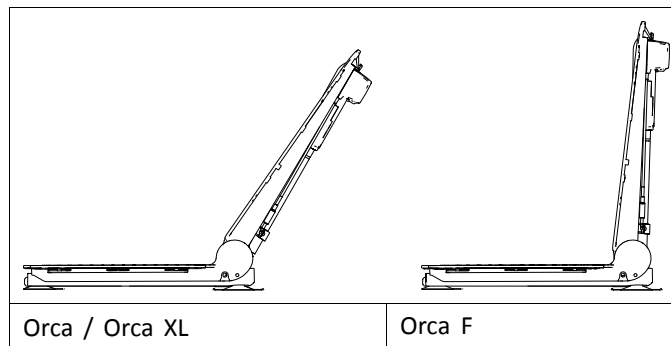
- Assegure que o suporte do eixo está completamente retraído, que está nivelado e que não está torcido, antes de dobrar o encosto para cima.
- Depois de o encosto ser dobrado para cima, assegure que o suporte do eixo está no respetivo retentor.



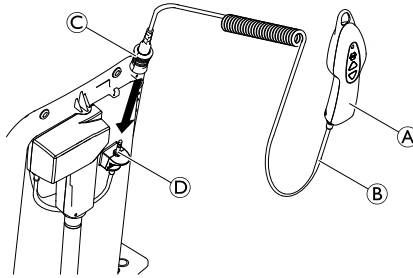
! **IMPORTANTE!**
Risco de danos

Danos no produto devido a montagem incorreta do encosto.

- Certifique-se de que ambos os ganchos **B** do encosto engatam nas dobradiças **C** da placa de assento.
- Certifique-se de que o encosto fica aberto até à posição final sem exercer força e resistência visível. A posição final é indicada no gráfico seguinte.



4. Fixe o encosto no centro da extremidade da cabeça e dobre-o cuidadosamente para cima até à posição final.



5. Ligue a tomada de ficha jack com a manga de desbloqueio C no cabo em espiral B do comando A à ligação jack D até que o mecanismo de bloqueio fique visivelmente engatado.



IMPORTANTE!
Risco de danos

- Certifique-se de que o encosto não toca na extremidade da banheira.
- Se necessário, coloque o elevador de banheira na direcção da banheira. Para colocar o elevador de banheira ainda mais para a frente na banheira, baixe o elevador de banheira até ao fundo, solte as ventosas e, em seguida, desloque o elevador de banheira.

3.4 Carregar a bateria

O elevador de banheira não pode ser utilizado quando a bateria está a carregar.

1574469-C



ADVERTÊNCIA!

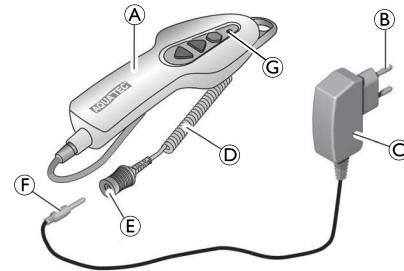
Risco de choque elétrico

- Recarregue a bateria apenas em divisões secas à temperatura ambiente (15 °C a 25 °C) e nunca na casa de banho.



IMPORTANTE!

- Utilize apenas o carregador fornecido para carregar a bateria no comando.
- Ligue o carregador à rede elétrica apenas quando o comando estiver ligado ao carregador.
- Certifique-se de que as especificações de tensão apresentadas no carregador correspondem às especificações da rede elétrica.



1. Insira a ligação jack F do carregador C na tomada de ficha jack E do cabo em espiral D do comando A até ficar engatada.
2. Insira a ficha de alimentação B do carregador na tomada.



A luz indicadora © vermelha do comando apaga-se quando a bateria está completamente carregada. Não é possível carregar a bateria em excesso.

3. Desligue o carregador da tomada.
4. Puxe a ligação jack do carregador para fora da tomada de ficha jack do comando.

4 Utilização

4.1 Informações de segurança



ATENÇÃO!

Sobrecarregar o elevador de banho pode causar danos ao dispositivo ou impedir a elevação.

- Não sobrecarregue o elevador de banho e tenha em atenção as especificações na etiqueta de identificação e na Secção 9.1 *Dimensões e peso, página 184* com vista à capacidade de carga.



ATENÇÃO!

Perigo de trilhadeira de dedos

- Não insira os dedos na calha entre a placa do assento e o encosto.
- Não coloque os dedos por baixo da placa de assento ou entre as tesouras de elevação.



IMPORTANTE!

A humidade pode penetrar num comando danificado, o que pode provocar um curto-circuito e incêndio.

- Antes de cada utilização, realize sempre uma inspeção visual do produto, procurando sinais de danos exteriores.
- Se a caixa do comando estiver danificada ou apresentar fissuras, não o utilize.
- Recarregue as baterias completamente antes de cada utilização, 3.4 *Carregar a bateria, página 171*

1. Consulte as condições de funcionamento na secção 9.4 *Parâmetros ambientais, página 185*

4.2 Controlar o elevador de banheira

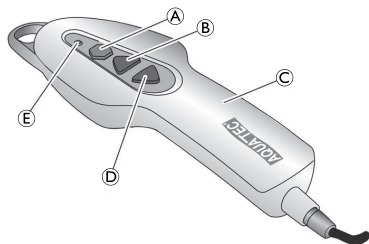
O elevador de banheira move-se nas seguintes direções:



O elevador de banheira é controlado através do comando, pelo utilizador ou por um assistente.



Com uma bateria completamente carregada, o ORCA e ORCA F conseguem realizar 5 operações de banho com uma carga de 140 kg. O ORCA XL consegue realizar 4 operações de banho com uma carga de 170 kg.



! **IMPORTANTE!**

Risco de danos

– O comando só pode ser utilizado quando o encosto está corretamente instalado e na posição vertical.

! **IMPORTANTE!**

Se a bateria no comando © não estiver suficientemente carregada, a luz indicadora vermelha Ɛ acende-se quando o botão Para baixo Ɗ é premido. Neste caso, a função de abaixamento do elevador de banheiro é desativada. No entanto, continua a poder elevar o elevador.

– Recarregue a bateria imediatamente depois de elevar o elevador de banheiro.

Elevar o elevador de banheiro

! **IMPORTANTE!**

Se o encosto estiver baixado, irá mover-se primeiro para a posição vertical (não se aplica ao modelo ORCA F).

1. Prima o botão Para cima Ɓ no comando e mantenha-o premido.
O encosto move-se para a posição vertical ou o assento move-se para cima.
2. Solte o botão Para cima no comando.
O elevador de banheiro fica parado na posição atual.

Baixar o elevador de banheiro

! **IMPORTANTE!**

Se o assento já tiver descido, o encosto baixa para trás (exceto no modelo ORCA F).

1. Prima o botão Para baixo Ɗ no comando e mantenha-o premido.
O assento move-se para baixo ou o encosto inclina-se para trás.
2. Solte o botão Para baixo no comando manual.
O elevador de banheiro fica parado na posição atual.


Interruptor de paragem de emergência

! **IMPORTANTE!**

Prima o botão Paragem de emergência Ɓ apenas se o dispositivo não parar imediatamente quando o botão Para cima ou Para baixo for solto (por exemplo, se um botão ficar preso). O elevador de banheiro para de se mover imediatamente e a luz vermelha integrada no comando acende-se.

Se a luz indicadora vermelha se apagar depois de soltar o botão Paragem de emergência, a falha foi retificada (por exemplo, o botão é solto novamente). O dispositivo está pronto a ser utilizado de novo.

Se a luz indicadora vermelha se mantiver acesa depois de soltar o botão Paragem de emergência, a falha não foi retificada. O dispositivo não está pronto a ser utilizado e deve ser reparado, por exemplo, no caso de danos nos componentes eletrónicos.

 Se necessário, contacte o seu fornecedor especialista.

4.3 Tomar banho



ADVERTÊNCIA!

Risco de desliz

O elevador de banheira pode escorregar se as ventosas não estiverem a agarrar com firmeza.

- Antes de utilizar o elevador de banheira assegure que este está posicionado com segurança e não pode tombar.
- Assegure que o elevador de banheira está instalado na banheira, → 3.3 *Configurar o elevador de banheira, página 168*



ADVERTÊNCIA!

- Se a sua condição o impedir de tomar banho sozinho, utilize o dispositivo apenas com supervisão.
- Se utilizar o dispositivo sem supervisão, certifique-se de que tem um sistema de alarme ou telefone ao seu alcance, em caso de acontecimentos imprevistos (por exemplo, avarias).



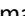

ATENÇÃO!

- Os óleos ou sais de banho podem comprometer o desempenho das tesouras de elevação.
- Se utilizar este tipo de suplementos de banho, não ultrapasse a dose recomendada.




IMPORTANTE!

- Mova o elevador sem carga até ao cimo e para baixo (teste de função).
- Antes de utilizar, verifique a temperatura da água do banho.

1. Mantenha premido o botão Para cima  até que o assento esteja ao nível da extremidade da banheira.
2. Certifique-se de que as abas laterais estão ao nível do assento e que ficam em posição plana sobre a extremidade da banheira.
3. Encha a banheira de água.
4. Sente-se na aba lateral mais próxima de si como se estivesse numa cadeira.
5. Deslize para trás até ficar sentado no meio do assento.
6. Coloque-se na posição de banho, elevando uma perna de cada vez sobre a extremidade da banheira.
7. Quando estiver sentado corretamente, prima sem soltar o botão Para baixo  para baixar o assento na banheira.



Assim que o assento tiver chegado à posição mais baixa, é possível reclinar o encosto continuando a premir o botão Para baixo . Assim, o utilizador tem uma posição de banho mais confortável e pode ficar imerso em mais água do banho (não se aplica ao modelo ORCA F).

8. Mantenha o botão Para baixo premido até que o encosto tenha chegado à posição pretendida.



Para sair da banheira, siga estes passos pela ordem inversa.

9. Para elevar o encosto ou o elevador de banheira, prima sem soltar o botão Para cima **Ⓑ** até o assento se encontrar ao mesmo nível da extremidade da banheira.



IMPORTANTE!

- Desligue o comando do dispositivo quando o elevador de banheira não estiver a ser utilizado. Consulte a secção *5.2 Remover o elevador de banheira, página 177*, passo 3.

5 Transporte

5.1 Informações de segurança



ATENÇÃO!

O encosto não fica engatado no assento quando está dobrado, podendo desprender-se.

- Não retire as ventosas quando transportar o elevador de banheira.
- Retire o comando do encosto para transporte.
- Consulte as condições de armazenamento e transporte na secção 9.4 *Parâmetros ambientais*, página 185

1. Retire o comando.
2. Desmonte o elevador de banheira em duas secções para transporte (assento e encosto), → 5.2 *Remover o elevador de banheira*, página 177.

5.2 Remover o elevador de banheira

1. Escorra a água da banheira.
2. Baixe o elevador de banheira utilizando o botão Para baixo até que o encosto fique parado na posição final mais baixa, → 4.2 *Controlar o elevador de banheira*, página 173

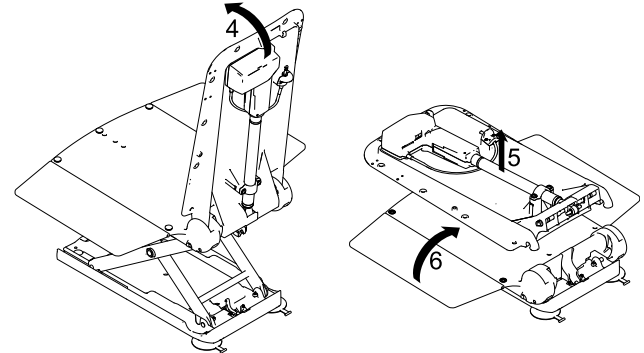
3. Desprenda a tomada de ficha jack no cabo em espiral do comando empurrando a manga de desbloqueio e retire-a da ligação jack.



IMPORTANTE!

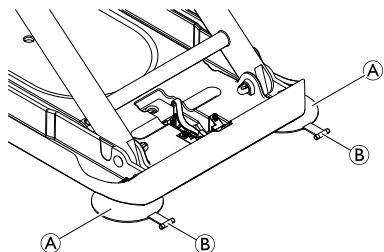
Risco de danos

- Quando dobrar o encosto para baixo, assegure que o cabo em espiral do comando manual não fica preso.
- Não dobre o encosto para baixo se houver água na banheira.



4. Fixe o encosto na extremidade superior com uma mão e dobre-o para a frente até à posição final.
5. Levante o encosto do assento e para fora da banheira.

6. Dobre as abas laterais do assento para dentro.



IMPORTANTE!

– Solte as duas ventosas posteriores ao mesmo tempo.

7. Solte a ventosa posterior (A) puxando-a pela lingueta (B).
8. Levante a parte posterior do assento para a frente. Deste modo, solta as ventosas dianteiras.



IMPORTANTE!

– Se os adaptadores de altura tiverem sido instalados (opcional), também tem de puxar as presilhas das ventosas dianteiras para as soltar.

9. Retire o assento da banheira.
10. Armazene com cuidado todos os componentes do elevador de banheira.

6 Manutenção

6.1 Manutenção e assistência

Se as recomendações de limpeza e segurança forem respeitadas, o produto não exige manutenção.



IMPORTANTE!

O comando só pode ser aberto pelo fabricante do elevador de banheira.

1. Verifique o produto regularmente, procurando sinais de danos e assegurando que está montado de forma segura.
2. Se ocorrerem danos e/ou necessidade de reparações, contacte imediatamente o fornecedor.
3. O elevador de banheira tem de ser verificado por um fornecedor autorizado antes de cada reutilização. Recomenda-se a verificação do elevador de banheira o mais tardar após 24 meses (em conformidade com a norma EN ISO 10535).
4. Se o elevador de banheira não for utilizado durante um período prolongado, carregue a bateria completamente e eleve e baixe o elevador de banheira 3 vezes sem carga. Repita este processo de 3 em 3 meses. Deste modo, ajuda a conservar a vida útil da bateria.

6.2 Limpeza e desinfeção

O produto pode ser limpo e desinfetado utilizando detergentes disponíveis comercialmente.

1. Desinfete o produto limpando com desinfetante todas as superfícies de acesso comum (se possível, desmontando primeiro o produto).



IMPORTANTE!

Todos os agentes de limpeza e desinfetantes utilizados devem ser eficazes, compatíveis entre si e passíveis de proteger os materiais aos quais são aplicados para limpeza.

- Para obter mais informações sobre a descontaminação em ambientes de cuidados de saúde, consulte as diretrizes sobre controlo de infeções do "National Institute for Clinical Excellence" (www.nice.org.uk/CG139) e as normas de controlo de infeções locais.
- Limpe o produto à mão regularmente.
- Não utilize agentes de limpeza abrasivos.

Limpar o assento e o encosto



ATENÇÃO!

Perigo de trilhadeira dos dedos

- Tenha especial cuidado quando limpar a área das tesouras de elevação, uma vez que estas se podem mover e causar lesões.




IMPORTANTE!

Risco de danos

- Nunca utilize um dispositivo de limpeza de alta pressão para limpar o encosto.

1. Lave o produto com um pano ou uma escova.
2. Enxague o produto com água quente.
3. Seque o produto com um pano.
4. Lubrifique levemente a calha para o calço de deslizamento (Fig. na secção 3.2, ⊕) utilizando vaselina.

Limpar as capas (opcional)

 Recomenda-se a lavagem das capas antes da primeira utilização. Por motivos de higiene, recomenda-se a limpeza regular das capas e a mudança das capas anualmente.

1. Desabotoe as capas do assento e do encosto.
2. Lave as capas na máquina a uma temperatura máxima de 60 °C, usando um detergente suave.

! IMPORTANTE!

Risco de danos

- A lavagem a temperaturas mais elevadas pode causar danos ou o encolhimento das capas.
- Não seque as capas numa máquina de secar roupa.

Limpar o carregador e o comando



ADVERTÊNCIA!

Risco de choque elétrico

- Desligue sempre a ficha da tomada antes de limpar o carregador.
- Nunca insira objetos feitos de materiais condutores (por exemplo, agulhas de coser, pinos de metal) na tomada de ficha jack do comando.
- Nunca utilize um pano molhado ou húmido para limpar o carregador.

1. Limpe o carregador com um pano seco.
2. Limpe o comando com um pano húmido e seque-o com um pano seco.

7 Após a utilização

7.1 Armazenamento



IMPORTANTE!

Risco de danificação

- Não guarde o produto junto a fontes de calor.
- Não exponha o produto a luz solar directa.
- Consulte as condições de armazenamento e envio na secção 9.4 *Parâmetros ambientais, página 185*

7.2 Reutilização

O produto é adequado a reutilização. O número de vezes que pode ser reutilizado depende da frequência e forma de utilização do produto. Antes da reutilização, o produto deve ser submetido a preparação higiénica (→ 6.2 *Limpeza e desinfeção, página 179*), sendo verificado se está numa condição adequada e segura. Caso necessário, efectue reparações.

7.3 Eliminação

A eliminação e reciclagem dos produtos utilizados, bem como da embalagem, deverão ser realizadas em conformidade com os regulamentos locais aplicáveis.



ADVERTÊNCIA!

- Nunca atire o comando manual para um foco de chamas nem o guarde junto a chamas abertas.

Dever de informar em conformidade com a Diretiva alemã sobre baterias, BattG:

Este produto contém uma bateria de iões de lítio recarregável. As baterias descarregadas ou aquelas que já não é possível recarregar não podem ser eliminadas em conjunto com o lixo doméstico. As baterias velhas podem conter substâncias nocivas potencialmente perigosas para o ambiente e a saúde pública.

Devolva as baterias deste tipo ao seu fornecedor ou deposite-as no seu centro de recolha municipal. A devolução das baterias é gratuita e exigida por lei.

Coloque nos recipientes facultados apenas as baterias descarregadas e cubra os polos das baterias de lítio.

8 Resolução de problemas

8.1 Identificar e reparar falhas



A tabela seguinte faculta informações sobre avarias e as suas causas possíveis. Se não conseguir corrigir a avaria utilizando as soluções indicadas, contacte diretamente o seu fornecedor.

Falha	Causa possível	Solução
Não se ouve ruído a partir do motor/o elevador não se move.	A tomada de ficha jack do comando não está engatada corretamente.	Engate a tomada de ficha jack, → 3.3 <i>Configurar o elevador de banheira, página 168</i>
	A bateria está sem energia.	Recarregue a bateria completamente, → 3.4 <i>Carregar a bateria, página 171</i>
	Os contactos estão sujos.	Limpe a ficha no encosto. Se necessário, contacte o seu fornecedor.
	O cabo está esmagado/danificado.	Substitua o comando. Se necessário, contacte o seu fornecedor.
O elevador sobe, mas não desce.	A proteção de baixa tensão está ativada.	Recarregue a bateria completamente, → 3.4 <i>Carregar a bateria, página 171</i>
O elevador para enquanto está a subir.	Carga excessiva.	Tenha em atenção a carga máxima, → 9.1 <i>Dimensões e peso, página 184</i>
O elevador de banheira não está a aderir com segurança à banheira.	As ventosas estão velhas ou danificadas.	Substitua as ventosas. Se necessário, contacte o seu fornecedor.
A bateria não está a carregar e a luz indicadora vermelha pisca durante o carregamento.	Componentes eletrónicos avariados.	Solicite ao seu fornecedor autorizado a verificação do comando.
	Bateria avariada.	Substitua o comando.

Falha	Causa possível	Solução
	Carregador avariado.	Solicite ao seu fornecedor autorizado a verificação do carregador.
	A bateria está demasiado quente.	Não carregue o comando junto a fontes de calor, como elementos de aquecimento, sob a luz solar direta. O carregamento continuará automaticamente assim que a temperatura baixar até limites admissíveis.

9 Características Técnicas

9.1 Dimensões e peso

Comprimento total na posição mais baixa	920 mm
Comprimento total na posição mais elevada	650 mm
Altura total na posição mais elevada	1075 mm
Comprimento do assento	590 mm
Largura do assento com as abas laterais dobradas para fora	715 mm
Largura do assento com as abas laterais dobradas para dentro	390 mm
Altura do assento na posição mais baixa	60 mm
Altura do assento na posição mais elevada	420 mm
Largura do encosto	360 mm
Ângulo mínimo do encosto	8°
Largura da placa de base	295 mm
Carga máx. (ORCA / ORCA F) Carga máx. (ORCA XL)	140 kg 170 kg
Peso total sem o comando manual (ORCA) (ORCA F) (ORCA XL)	10,8 kg 11,4 kg 11,6 kg
Peso do assento (ORCA) (ORCA F) (ORCA XL)	6,6 kg 7,2 kg 7,4 kg

Peso do encosto (ORCA / ORCA F / ORCA XL)	4,2 kg
Peso do comando manual	0,4 kg
Peso do carregador	0,1 kg

9.2 Dados electrónicos

Força de ativação dos botões do comando	< 5 N
Tensão de funcionamento do comando ¹⁾	10,8 VCC/14 VCC
Corrente de entrada nominal ¹⁾	43 VA/56 VA
Corrente nominal	4 A
Tipo de bateria	Iões de lítio
Entrada do carregador	100 - 240 V CA, 50 - 60 Hz
Saída do carregador	24 VCC, 135 mA, 3 VA
Tempo de carregamento a partir da advertência de tensão baixa	aprox. 4,5 h
Tipo de proteção, tração	IP X6 W ²⁾
Tipo de proteção, comando	IP 67 ³⁾
Tipo de proteção, dispositivo completo	IP X6 ⁴⁾
Nível de potência sonora	52 dB(A)

O atuador não se desliga quando o produto está com sobrecarga. Não sobrecarregue o elevador de banheira para evitar danos.

- 1) 10,8 VCC/43 VA válido quando utiliza comandos com tensão de 10,8 V, indicada na parte de trás do comando. 14 VCC/56 VA válido quando utiliza comandos com tensão de 14 V, indicada na parte de trás do comando.
- 2) Protegido contra a entrada de água na eventualidade de fortes jatos de água, testado sob condições meteorológicas estipuladas.
- 3) À prova de pó e protegido contra a entrada de água durante imersão temporária.
- 4) Protegido contra a entrada de água na eventualidade de fortes jatos de água.

9.3 Materiais

Encosto	PP/FV (polipropileno com fibra de vidro)
Placa de assento	PP/FV
Capas	PVC (policloreto de vinilo)



Todos os materiais utilizados são resistentes à corrosão e isentos de látex.

9.4 Parâmetros ambientais

Condições de funcionamento	
Temperatura ambiente	10 - 40 °C

Humidade relativa	15% - 93%, sem condensação
Pressão atmosférica	795 - 1060 hPa
Condições de transporte e armazenamento	
Temperatura ambiente	0 - 40 °C
Humidade relativa	30% - 75%, sem condensação
Pressão atmosférica	795 - 1060 hPa

10 Compatibilidade eletromagnética (EMC)

10.1 Informações gerais sobre compatibilidade eletromagnética (EMC)

O equipamento elétrico médico deve ser instalado e utilizado de acordo com as informações de EMC incluídas neste manual.

Este produto foi testado e considerado em conformidade com os limites de EMC especificados pela norma IEC/EN 60601-1-2 para o equipamento de Classe B.

Os equipamentos de comunicações de RF portáteis e móveis podem afetar o funcionamento deste produto.

Outros dispositivos poderão sofrer interferências mesmo com os baixos níveis de emissões eletromagnéticas permitidos pela norma acima mencionada. Para determinar se as emissões deste produto estão a provocar a interferência, ligue e desligue o mesmo. Se a interferência com o funcionamento do outro dispositivo parar, significa que este produto está a causar a interferência. Nestes casos raros, poderá reduzir ou corrigir a interferência tomando uma das seguintes medidas:

- Reposicionar, mudar de sítio ou aumentar o espaço entre os dispositivos.

10.2 Emissões eletromagnéticas

Diretrizes e declaração do fabricante

Este produto destina-se a utilização no ambiente eletromagnético especificado abaixo. O cliente ou o utilizador deste produto deverá assegurar a sua utilização neste ambiente.

Teste de emissões	Conformidade	Ambiente eletromagnético – diretrizes
Emissões de RF CISPR 11	Grupo I	Este produto só utiliza energia de RF para a sua função interna. Como tal, as emissões de RF são muito baixas e não deverão causar interferências com o equipamento eletrónico circundante.
RF emissions CISPR 11	Classe B	Este produto é adequado para utilização em todos os estabelecimentos, incluindo zonas residenciais e aqueles diretamente ligados à rede pública de alimentação de baixa tensão que abastece edifícios para fins habitacionais.


Emissões de harmônicos IEC 61000-3-2	Classe A	
Variações de tensão/emissões de tremulação IEC 61000-3-3	Em conformidade	

10.3 Imunidade eletromagnética

Diretrizes e declaração do fabricante

Este produto destina-se a utilização no ambiente eletromagnético especificado abaixo. O cliente ou o utilizador deste produto deverá assegurar a sua utilização neste ambiente.

Teste de imunidade	Nível de teste/conformidade	Ambiente eletromagnético – diretrizes
Descarga eletrostática (ESD) IEC 61000-4-2	± 8 kV contacto ± 2 kV, ± 4 kV, ± 8 kV, 15 kV ar	O pavimento deve ser de madeira, betão ou mosaico cerâmico. Se o pavimento estiver revestido com material sintético, a humidade relativa deverá ser de, pelo menos, 30%.
Surto/transiente eletrostático IEC 61000-4-4	± 2 kV para linhas de alimentação; frequência de repetição 100 kHz ± 1 kV para linhas de entrada/saída; frequência de repetição 100 kHz	A qualidade da alimentação deverá corresponder a um ambiente comercial ou hospitalar típico.
Sobretensão IEC 61000-4-5	± 1 kV de linha a linha ± 2 kV de linha a terra	Mains power quality should be that of a typical commercial or hospital environment.

Teste de imunidade	Nível de teste/conformidade	Ambiente eletromagnético – diretrizes
Quedas de tensão, interrupções curtas e variações de tensão nas linhas de entrada de alimentação IEC 61000-4-11	$< 0\% U_T$ para 0,5 ciclo a incrementos de 45° $0\% U_T$ para 1 ciclo $70\% U_T$ para 25/30 ciclos $< 5\% U_T$ para 250/300 ciclos	<p>Mains power quality should be that of a typical commercial or hospital environment. Se o utilizador deste produto necessitar de um funcionamento contínuo durante as interrupções da alimentação, recomenda-se que o produto seja alimentado a partir de uma fonte de alimentação ininterrupta ou de uma bateria.</p> <p>U_T é a tensão da rede CA antes da aplicação do nível de teste.</p>
Campo magnético da frequência da alimentação (50/60 Hz) IEC 61000-4-8	30 A/m	<p>Os campos magnéticos da frequência de alimentação deverão estar a níveis característicos próprios de um ambiente comercial ou hospitalar.</p>
RF conduzida IEC 61000-4-6	$3 V$ $150 \text{ kHz a } 80 \text{ Mhz}$ $6 V$ em bandas ISM e por radioamador	<p>As intensidades de campo dos transmissores fixos, tais como estações de base para telefones de rádio (celulares/sem fios) e rádios móveis terrestres, radioamador, transmissão de rádio AM e FM e emissão de TV não podem ser previstas teoricamente com exatidão. Para avaliar o ambiente eletromagnético derivado dos transmissores de RF fixos, deve ser considerado um levantamento eletromagnético do local. Se a intensidade de campo medida na localização onde este produto é utilizado exceder o nível de conformidade de RF aplicável acima, este produto deverá ser monitorizado para conferir o seu funcionamento normal. Se for observado um desempenho anormal, serão necessárias medidas adicionais, tais como reorientar ou mudar o produto de local.</p> <p>Podem ocorrer interferências nas proximidades de equipamento assinalado com o seguinte símbolo: </p>

Teste de imunidade	Nível de teste/conformidade	Ambiente eletromagnético – diretrizes
RF irradiada IEC 61000-4-3	10 V/m 80 Mhz a 2,7 GHz Para as especificações do teste de 385 MHz - 5785 MHz para imunidade relativamente a equipamentos de comunicações sem fios de RF, consulte a tabela 9 da norma IEC 60601-1-2:2014	Os equipamentos de comunicações de RF portáteis e móveis não devem ser utilizados a uma distância inferior a 30 cm de qualquer parte deste produto (incluindo cabos).



Estas diretrizes podem não se aplicar a todas as situações. A propagação eletromagnética é afetada pela absorção e reflexão em estruturas, objetos e pessoas.

Inhoudsopgave

Deze handleiding dient te worden overhandigd aan de gebruiker van het product. Lees deze handleiding VÓÓR u het product gebruikt en bewaar hem voor eventuele raadplegingen in de toekomst.

1 Algemeen	.192
1.1 Inleiding	.192
1.2 Symbolen in deze handleiding	.192
1.3 Garantie	.193
1.4 Naleving	.193
1.4.1 Productspecifieke normen	.193
1.5 Bedoeld gebruik	.193
1.6 Levensduur	.193
2 Veiligheid	.194
2.1 Veiligheidsinformatie	.194
2.2 Veiligheidsinformatie over elektromagnetische compatibiliteit	.195
2.3 Typeplaatjes en symbolen op het product	.195
3 Montage	.197
3.1 Veiligheidsinformatie	.197
3.2 Omvang van de levering	.197
3.3 De badlift opzetten	.199
3.4 De accu opladen	.202
4 Gebruik	.204
4.1 Veiligheidsinformatie	.204
4.2 De badlift bedienen	.204
4.3 In bad gaan	.206
5 Transport	.208
5.1 Veiligheidsinformatie	.208
5.2 De badlift verwijderen	.208
6 Onderhoud	.210
6.1 Onderhoud en service	.210

6.2 Schoonmaken en desinfecteren	.210
7 Na gebruik	.212
7.1 Opslag	.212
7.2 Hergebruiken	.212
7.3 Afvoeren	.212
8 Problemen oplossen	.213
8.1 Storingen identificeren en oplossen	.213
9 Technische Specificaties	.215
9.1 Afmetingen en gewicht	.215
9.2 Elektronische gegevens	.215
9.3 Materialen	.216
9.4 Omgevingsparameters	.216
10 Elektromagnetische compatibiliteit (EMC)	.217
10.1 Algemene informatie over EMC	.217
10.2 Elektromagnetische straling	.217
10.3 Elektromagnetische immuniteit	.218

1 Algemeen

1.1 Inleiding

Deze gebruiksaanwijzing bevat belangrijke informatie over het gebruik van dit product. Lees de gebruiksaanwijzing aandachtig door en volg de veiligheidsinstructies op om zeker te zijn van een veilig gebruik van het product.

Gelieve te noteren dat er waarschijnlijk secties in deze handleiding vermeld zijn die misschien niet relevant zijn voor uw product, maar deze handleiding verwijst naar alle modellen (op de dag van uitgifte). Elke sectie van deze handleiding verwijst naar alle modellen van dit product, tenzij anders vermeld.

De modellen en uitvoeringen die in uw land beschikbaar zijn, zijn te vinden op de prijslijst van het desbetreffende land.

Invacare behoudt zich het recht om productspecificaties te wijzigen zonder voorafgaand bericht.

Controleer voordat u deze gebruiksaanwijzing leest of u de juiste versie hebt. U vindt een pdf-bestand met de laatste versie op de Invacare-website.

Mocht u problemen ondervinden met de lettergrootte van deze handleiding, kunt u de PDF versie downloaden via onze website. U kunt deze dan uitvergroten op uw scherm tot de gewenste lettergrootte.

Voor meer informatie over dit product, contacteer uw Invacare vertegenwoordiger. Een overzicht kunt u terugvinden op de laatste bladzijde van deze handleiding.

1.2 Symbolen in deze handleiding

In deze handleiding worden waarschuwingen aangeduid met symbolen. De waarschuwingssymbolen worden vergezeld van een kop die de ernst van het gevaar aangeeft.



WAARSCHUWING

Duidt op een gevaarlijke situatie die kan leiden tot ernstig letsel of overlijden als de situatie niet wordt vermeden.



LET OP

Duidt op een gevaarlijke situatie die kan leiden tot licht of beperkt letsel als de situatie niet wordt vermeden.



BELANGRIJK

Duidt op een gevaarlijke situatie die kan leiden tot materiële schade als de situatie niet wordt vermeden.



Tips en adviezen

Hier worden nuttige tips, adviezen en informatie voor efficiënt, probleemloos gebruik gegeven.



Dit product voldoet aan richtlijn 93/42/EEG betreffende medische hulpmiddelen. De introductiedatum van dit product staat vermeld in de CE-conformiteitsverklaring.



Fabrikant van het product.

1.3 Garantie

Wij bieden voor dit product een fabrieksgarantie in overeenstemming met onze Algemene Voorwaarden in de respectievelijke landen. Garantieclaims kunnen alleen worden ingediend via de leverancier bij wie u het apparaat hebt gekocht.

Hoezen en zuignappen vallen niet onder deze garantie.

1.4 Naleving

Kwaliteit is cruciaal bij onze bedrijfsactiviteiten, waarbij wordt gewerkt binnen de normen van ISO 13485.

Dit product is voorzien van het CE-merk, conform Richtlijn 93/42/EEG betreffende medische hulpmiddelen, klasse 1.

Wij werken er continu aan om ervoor te zorgen dat het effect van het bedrijf op het milieu, zowel lokaal als internationaal, zo veel mogelijk wordt beperkt.

Wij maken uitsluitend gebruik van materialen en onderdelen die voldoen aan de REACH-richtlijnen.

Wij leven de huidige milieuwetgeving AEEA en RoHS na.

1.4.1 Productspecifieke normen

Het product voldoet aan de eisen van de norm ISO 10535 (Tilliften voor het verplaatsen van gehandicapten).

Neem voor meer informatie contact op met Invacare in uw land (zie de adressen achter in deze handleiding).

1.5 Bedoeld gebruik

Een badlift maakt het mogelijk in en uit de badkuip te komen. De lift is uitsluitend bedoeld als hulpmiddel bij

het baden van mensen met een bewegingsbeperking. Elk ander gebruik is verboden.

Indicaties

- Aanzienlijke beperking in/afwezigheid van functionaliteit in de onderste of bovenste ledematen (zoals bij amputatie, verlamming, gewrichtsafwijkingen of neuromusculaire afwijkingen), waardoor het zelfstandig in- en uit de badkuip komen of het gaan zitten en opstaan niet meer mogelijk is. Er moet nog wel controle over de romp en enige functionaliteit van de ledematen aanwezig zijn.
- Chronische gevolgen van ziekte, met functiebeperkingen in de onderste en/of bovenste ledematen, die het zelfstandig in bad gaan onmogelijk maken, waarbij de badlift het mogelijk maakt grotendeels zelfstandig in bad te gaan nadat andere hulpmiddelen de beperking onvoldoende bleken te compenseren.

Contra-indicaties

Bij juist gebruik zijn er geen contra-indicaties.

1.6 Levensduur

De verwachte levensduur van dit product is vijf jaar bij dagelijks gebruik en in overeenstemming met de veiligheidsinstructies, onderhoudstermijnen en bij correct gebruik, zoals aangegeven in deze handleiding. De effectieve levensduur kan variëren afhankelijk van de frequentie en intensiteit van het gebruik.

2 Veiligheid

2.1 Veiligheidsinformatie



WAARSCHUWING!

- Gebruik dit product of de beschikbare optionele apparatuur alleen als u deze instructies en het eventuele aanvullende instructiemateriaal volledig hebt doorgelezen en begrepen, met inbegrip van de gebruiksaanwijzingen, servicehandleidingen of instructiebladen die bij dit product of de optionele apparatuur worden verstrekt. Producthandleidingen van Invacare zijn beschikbaar op internet of bij uw lokale dealer (adressen bevinden zich op de achterzijde van deze handleiding).
- Als u de gevaren, aandachtspunten of instructies niet begrijpt, neemt u contact op met een zorgverlener, dealer of technisch personeel voordat u dit apparaat gaat gebruiken. Er kan anders letsel of schade optreden.



WAARSCHUWING!

Kans op lichamelijk letsel

- Niet gebruiken indien defect.
- Neem direct contact op met uw dealer in geval van een defect.
- Voer geen ongeautoriseerde wijzigingen of aanpassingen uit op het product.
- Gebruik alleen reserveonderdelen die bedoeld zijn voor dit product.



WAARSCHUWING!

Kans op lichamelijk letsel

- Ga nooit op de badlift staan om in of uit het bad te stappen, gebruik de badlift nooit om te klimmen of af te dalen en gebruik deze ook niet als een liftplatform of enig ander vergelijkbaar doel.



BELANGRIJK!

- De informatie in dit document kan zonder voorafgaande kennisgeving worden gewijzigd.
- Controleer en test vóór gebruik alle onderdelen op transportschade.

2.2 Veiligheidsinformatie over elektromagnetische compatibiliteit



WAARSCHUWING!

Defecten mogelijk als gevolg van elektromagnetische interferentie

Er kan elektromagnetische interferentie optreden tussen dit product en andere elektrische apparatuur. De elektrische afstelfuncties van dit product kunnen hierdoor verstoord worden. U kunt elektromagnetische interferentie op de volgende manieren voorkomen of verminderen:

- Gebruik alleen originele accessoires en reserve-onderdelen. Zo neemt de elektromagnetische emissie niet toe en neemt de elektromagnetische immuniteit van dit product niet af.
- Houd draagbare RF-communicatieapparatuur op ten minste 30 cm van de onderdelen van dit product (inclusief kabels).
- Gebruik dit product niet in de buurt van actieve hoogfrequente chirurgische apparatuur of een voor RF-straling afgeschermd MRI-ruimte, waar elektromagnetische storingen in hoge mate aanwezig zijn.
- Als er sprake is van storingen, vergroot u de afstand tussen dit product en de overige apparatuur of schakelt u deze uit.
- Raadpleeg de gedetailleerde informatie en volg de richtlijnen van hoofdstuk 10 *Elektromagnetische compatibiliteit (EMC)*, pagina 217.



WAARSCHUWING!

Risico op storing

Elektromagnetische interferentie kan een onjuiste werking tot gevolg hebben.

- Gebruik dit product niet naast of gestapeld met andere elektrische apparatuur. Als het toch nodig is dit product op dergelijke wijze te gebruiken, moet u de werking van het product en de andere apparatuur goed in de gaten houden.

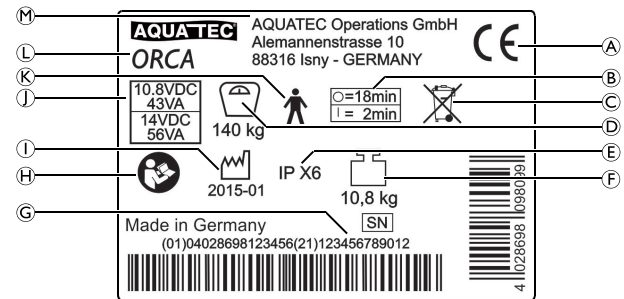


Wij zijn niet op de hoogte van de risico's bij gebruik van producten zoals een pacemaker.

2.3 Typeplaatjes en symbolen op het product

Typeplaatje

Het typeplaatje bevat belangrijke informatie:



Ⓐ	Conformiteitsmarkering
Ⓑ	Periodiek gebruik (de motor mag niet continu zijn ingeschakeld): max. 2 minuten doorlopend gebruik, gevolgd door een pauze van 18 minuten
Ⓒ	Opmerking (afvoer)
Ⓓ	Maximaal gebruikersgewicht
Ⓔ	Type bescherming
Ⓕ	Gewicht van product
Ⓖ	Serienummer
Ⓗ	Lees de gebruiksaanwijzing
Ⓘ	Productiedatum
Ⓝ	Nominale ingangsspanning / nominaal vermogen; zie 9.2 <i>Elektronische gegevens, pagina 215</i>
Ⓚ	Type B-apparaat
Ⓛ	Productaanduiding
Ⓜ	Fabrikant



Het typeplaatje is op de achterkant van rugleuning
aangebracht.

3 Montage

3.1 Veiligheidsinformatie

! BELANGRIJK!

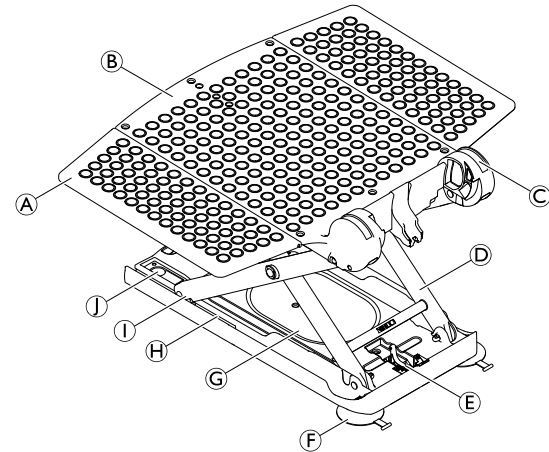
- Controleer de onderdelen op transportschade voordat u het product in gebruik neemt en neem indien nodig contact op met de dealer.
- Houd er bij de montage rekening mee dat alle onderdelen juist geplaatst dienen te worden zodat er geen beschadigingen optreden.
- Het wordt aanbevolen om de bekleding voorafgaand aan het eerste gebruik te wassen (zie hoofdstuk 6.2 *Schoonmaken en desinfecteren*, pagina 210).

3.2 Omvang van de levering

Deze gebruiksaanwijzing heeft betrekking op de modellen ORCA, ORCA F en ORCA XL. Deze modellen verschillen in gewicht en het maximale gebruikersgewicht. Zie het gedeelte 9.1 *Afmetingen en gewicht*, pagina 215. Een zittinghoes en rugbekleding zijn optioneel verkrijgbaar voor alle drie de modellen. Bij model ORCA F kan de rugleuning niet worden verlaagd.

De volgende onderdelen worden meegeleverd:

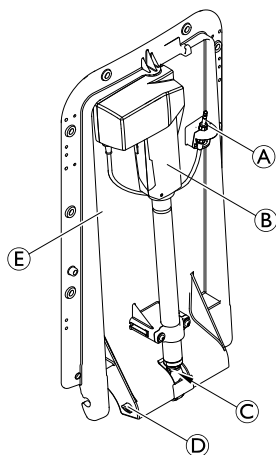
Zitting



(A)	Zijflap
(B)	Zitplaat
(C)	Scharnier voor rugleuning
(D)	Liftarmen
(E)	Houder van spilvoet
(F)	Zuignappen achter (twee lipjes met reliëf)
(G)	Basisplaat
(H)	Geleider voor glij schoen

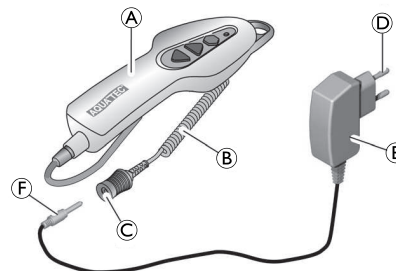
①	Glijshoen
①	Zuignappen voor (één lipje met greep)

Rugleuning



Ⓐ	Contactstekker
Ⓑ	Aandrijving
Ⓒ	Spilvoet
Ⓓ	Vergrendelingspin
Ⓔ	Plaat, rugleuning

Handbediening en lader



Ⓐ	Handbediening met accu
Ⓑ	Spiraalkabel voor handbediening
Ⓒ	Stekkeropening van handbediening
Ⓓ	Stekker voor lichtnet
Ⓔ	Lader
Ⓕ	Contactstekker van lader

3.3 De badlift opzetten



WAARSCHUWING!

Risico op glijden

De badlift kan gaan glijden als de zuignappen onvoldoende grip hebben.

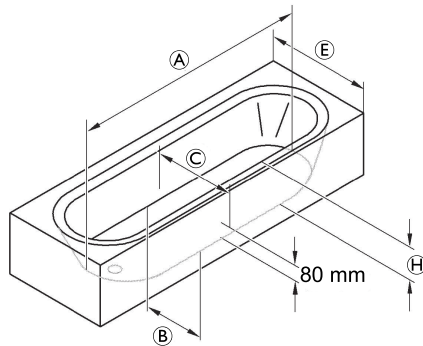
- Reinig de badkuip en de zuignappen met een vochtige doek voordat u de badlift gaat monteren.
- Verplaats de badlift niet wanneer deze eenmaal op zijn plaats is gemonteerd.



WAARSCHUWING!

Risico op letsel en beschadiging.

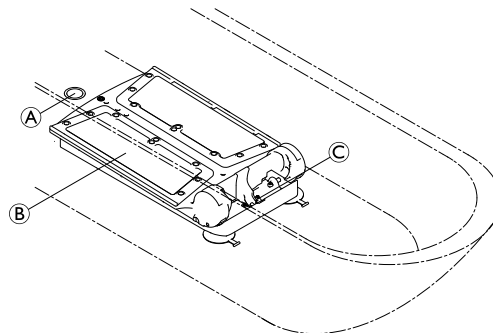
- Plaats de badlift alleen in badkuipen die voldoen aan de specificaties zoals vermeld in de volgende tabel.
- Als de badkuip is uitgerust met een laterale overflow, kunt u de speciale zijflappen (beschikbaar als accessoire) gebruiken.



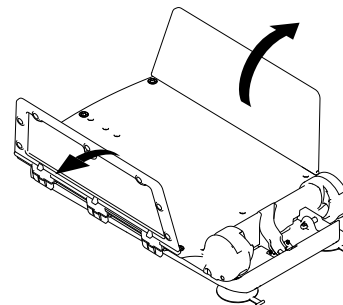
Ⓐ	Lengte van badkuip, bodem	≥ 800 mm
Ⓑ	Breedte van badkuip, bodem (binnenzijde)	≥ 280 mm
Ⓒ	Breedte van badkuip, bij een diepte van 80 mm (binnenzijde)	≥ 430 mm
Ⓔ	Breedte van badkuip, (buitenzijde)	580 - 690 mm (met speciale zijflappen) 700 - 740 mm (met standaard zijflappen) 750 - 1000 mm (met speciale zijflappen)
Ⓕ	Diepte van badkuip (binnenzijde)	≤ 420 mm (met hoogte adapter, max. + 60 mm)

! **BELANGRIJK!**

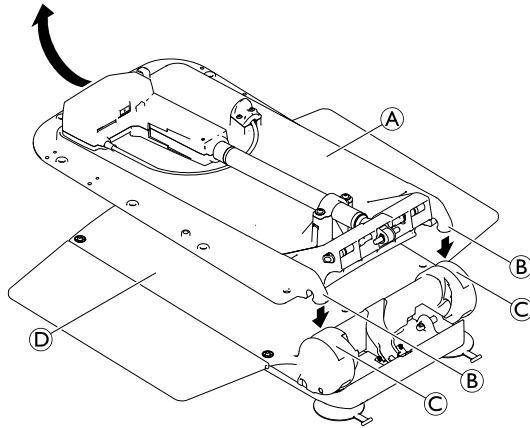
- Controleer of de zuignappen goed zijn bevestigd.
- Controleer of de accu in de handbediening is opgeladen.
- Controleer of de spilvoet volledig naar binnen geschoven is.
- Denk er bij het omhoog brengen van de badliftonderdelen aan om op de juiste wijze het gewicht te bepalen; zie hoofdstuk 9.1 *Afmetingen en gewicht, pagina 215*
- Als er aan de binnenkant van de badkuip een handgreep is bevestigd, kunt u de zijflaphulpstukken (leverbaar als accessoire) gebruiken.
- Vouw de zijflappen naar buiten voordat u de rugleuning omhoog klapt.



1. Plaats de zitting ② op de bodem van een lege badkuip. Zorg ervoor dat de spilvoethouder ③ in de richting van het voeteneinde van de badkuip tegenover de afvoer ① staat.



2. Vouw de zijflappen van de zitting naar buiten.



3. Plaats de rugleuning **A** (zonder de handbediening) op de zitting, zodat de haken **B** van de rugleuning in de scharnieren **C** van de zitplaat **D** passen.

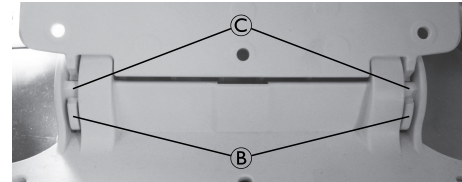


BELANGRIJK!

Risico op beschadiging

Beschadiging van het product als gevolg van het wegglijden van de spilvoet.

- Zorg ervoor dat de spil volledig is ingetrokken en dat de spilvoet waterpas staat en niet is gedraaid voordat u de rugleuning omhoog klapt.
- Als de rugleuning omhoog is geklapt, controleert u of de spilvoet goed in de houder is bevestigd.

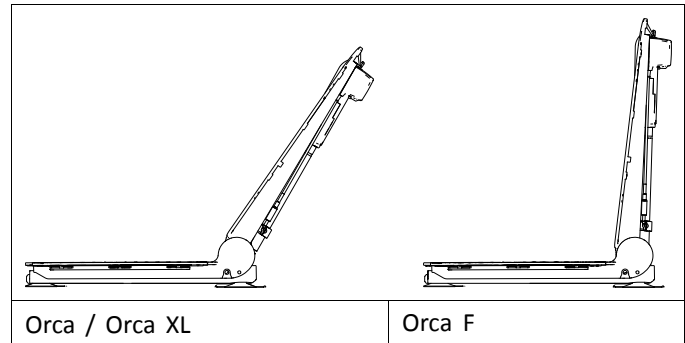


BELANGRIJK!

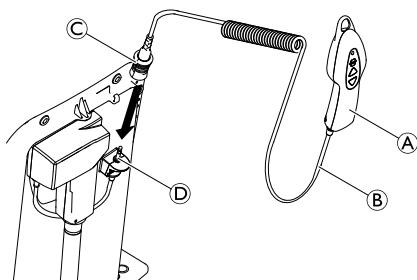
Risico op beschadiging

Beschadiging van het product vanwege verkeerd monteren van de rugleuning.

- Zorg ervoor dat beide haken **B** van de rugleuning vastklikken in de scharnieren **C** van de zitplaat.
- De rugleuning moet omhoog worden geklapt naar de eindpositie zonder daarbij te veel kracht uit te oefenen en weerstand te voelen. De eindpositie wordt in de volgende afbeelding aangegeven.



- Houd de rugleuning in het midden van het hoofdeinde vast en klap de rugleuning omhoog naar de eindpositie.



- Sluit de steekroeping met ontgrendelingshuls © op de spiraalkabel ② van de handbediening ① aan op de contactstekker ④ totdat het vergendelingsmechanisme hoorbaar vastklikt.

! **BELANGRIJK!**
Risico op beschadiging

- Zorg ervoor dat de rugleuning de rand van de badkuip niet raakt.
- Plaats de badlift zo nodig verder naar voren in de badkuip. U plaatst de badlift zo nodig verder naar voren in de badkuip door de badlift tot op de bodem van de badkuip te laten zakken, de zuignappen los te maken en vervolgens de badlift te verplaatsen.

3.4 De accu opladen

De badlift kan niet worden gebruikt wanneer de accu wordt opgeladen.



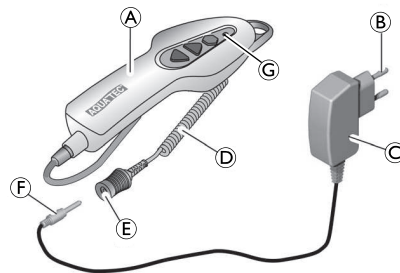
WAARSCHUWING!
Risico op elektrische schokken

- Laad de accu alleen op in droge ruimtes, bij kamertemperatuur (15 tot 25 °C) en nooit in de badkamer.




BELANGRIJK!

- Gebruik voor het opladen van de accu in de handbediening alleen de bijgeleverde lader.
- Sluit de lader alleen aan op het lichtnet als de handbediening is aangesloten op de lader.
- Controleer of de spanningsspecificaties op de lader overeenkomen met die van het lichtnet.



- Steek de contactstekker ⑥ van de lader ③ in de steekroeping ⑤ van de spiraalkabel ④ van de handbediening ① totdat deze contact maakt.
- Steek de netstekker ② van de lader in een contactdoos.



Het rode indicatorlampje  op de handbediening gaat uit wanneer de accu volledig is opgeladen. Overladen van de accu is niet mogelijk.

3. Haal de lader uit de contactdoos.
4. Trek de contactstekker van de lader uit de stekkeropening van de handbediening.

4 Gebruik

4.1 Veiligheidsinformatie



LET OP!

Overbelasting van de badlift kan leiden tot schade aan de apparatuur of niet-functioneren van de lift.

- Zorg ervoor dat u de badlift niet overbelast en neem de specificaties met betrekking tot belasting en capaciteit in acht, zoals vermeld op het typeplaatje en in hoofdstuk 9.1 *Afmetingen en gewicht*, pagina 215



LET OP!

Beknellingsgevaar voor de vingers

- Plaats geen vingers in de geleiding tussen de zittingplaat en de rugleuning.
- Steek geen ledematen onder de zitplaat of tussen de hefarmen.



BELANGRIJK!

Er kan vocht binnendringen in een beschadigde handbediening, wat kan leiden tot kortsluiting en brand.

- Voer altijd voor elk gebruik een visuele inspectie van het product op externe beschadigingen uit.
- Als de behuizing van de handbediening is beschadigd of als er barsten zichtbaar zijn, mag de handbediening niet worden gebruikt.
- Laad de accu altijd volledig op voor elk gebruik, 3.4 *De accu opladen*, pagina 202

1. Raadpleeg het hoofdstuk 9.4 *Omgevingsparameters*, pagina 216 voor de bedrijfsomstandigheden.

4.2 De badlift bedienen

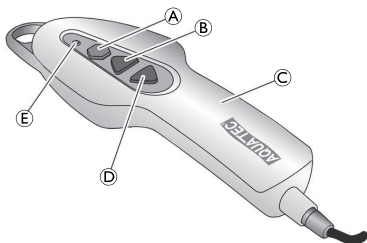
De badlift kan in de volgende richtingen worden verplaatst:



De badlift wordt door de gebruiker of een begeleider met de handbediening bediend.



Met volledig opgeladen accu kunnen de ORCA en ORCA F vijf badprocedures uitvoeren met een belasting van 140 kg. De ORCA XL kan vier badprocedures uitvoeren met een belasting van 170 kg.



! **BELANGRIJK!**

Risico op beschadiging

- Gebruik de handbediening alleen als de rugleuning op de juiste manier is geplaatst en omhoog is geklapt.

! **BELANGRIJK!**

- Als de accu van de handbediening © niet volledig is opgeladen, gaat het rode indicatorlampje ⑤ branden wanneer er op de knop Omlaag ④ wordt gedrukt. Als dat het geval is, wordt de functie voor neerlaten van de badlift uitgeschakeld. De lift kan dan nog wel omhoog worden gebracht.
- Laad de accu meteen op wanneer u de badlift weer omhoog hebt gebracht.

De badlift omhoog brengen

! **BELANGRIJK!**

- Als u de rugleuning naar beneden laat zakken, beweegt deze eerst naar de rechtopstaande stand (niet op het model ORCA F).

1. Druk op de knop Omhoog ② op de handbediening en houd deze knop ingedrukt.
De rugleuning gaat naar de stand rechtop of de zitting gaat omhoog.
2. Laat de knop Omhoog op de handbediening los.
De badlift stopt in de huidige stand.

De badlift naar beneden brengen

! **BELANGRIJK!**

- Als u de zitting al naar beneden hebt laten zakken, zakt de rugleuning naar achteren (niet op het model ORCA F).

1. Druk op de knop Omlaag ④ op de handbediening en houd deze knop ingedrukt.
De zitting zakt of de rugleuning kantelt naar achteren.
2. Laat de knop Omlaag op de handbediening los.
De badlift stopt in de huidige stand.

Schakelaar voor nooduitschakeling

! **BELANGRIJK!**

- Druk alleen op de knop voor nooduitschakeling ① als het apparaat niet meteen stopt nadat de knop Omhoog of Omlaag is losgelaten (bijvoorbeeld als een vastzit). De badlift stopt onmiddellijk met bewegen en het rode indicatorlampje in de handbediening gaat branden.

Als het rode indicatielampje uitgaat nadat de knop voor nooduitschakeling wordt losgelaten, is de fout opgelost (de knop is bijvoorbeeld weer vrijgegeven). Het apparaat is weer klaar om te worden gebruikt.

Als het rode indicatielampje aan blijft nadat de knop voor nooduitschakeling wordt losgelaten, is de fout nog niet opgelost. Het apparaat is niet klaar voor gebruik en moet worden gerepareerd, bijvoorbeeld in het geval van schade aan de elektronica.



Neem indien nodig contact op met uw gespecialiseerde leverancier.

4.3 In bad gaan



WAARSCHUWING!

Risico op glijden

De badlift kan gaan glijden als de zuignappen onvoldoende grip hebben.

- Controleer voor gebruik van de badlift of deze stevig staat en niet kan kantelen.
- Zorg ervoor dat de badlift in de badkuip is geplaatst, → 3.3 *De badlift opzetten, pagina 199*



WAARSCHUWING!

- Als u door uw fysieke gesteldheid niet in staat bent om alleen in bad te gaan, dient u het apparaat alleen te gebruiken onder toezicht.
- Zorg dat als het apparaat zonder toezicht wordt bediend, er een alarmsysteem of telefoon onder handbereik is ingeval van onvoorziene omstandigheden (bv. storingen).



LET OP!



Gebruik van badolie of -zout kan nadelige gevolgen hebben voor de prestaties van de liftarmen.



- Als u toch badolie of -zout wilt gebruiken, overschrijd dan niet de aanbevolen doses.




BELANGRIJK!


- Breng als functietest de onbelaste lift eenmaal volledig naar boven en laat de lift vervolgens volledig naar beneden zakken.
- Controleer voor gebruik van de lift de temperatuur van het badwater.

1. Blijf de knop Omhoog  ingedrukt houden, totdat de zitting op hetzelfde niveau staat als de rand van de badkuip.
2. Zorg ervoor dat de zijflappen op dezelfde hoogte liggen als de zitting zijn en plat op de rand van de badkuip.
3. Vul het bad met water.
4. Ga op de dichtstbijzijnde zijflap zitten zoals u ook op een stoel zou gaan zitten.
5. Schuif naar achteren totdat u in het midden van de zitting zit.
6. Draai uzelf in de positie voor het baden door eerst een been over de rand van het bad te tillen en daarna het andere been.
7. Druk wanneer u goed zit op de knop Omlaag  en houd deze knop ingedrukt om de zitting in de badkuip te laten zakken.

 Wanneer de zitting de laagste stand heeft bereikt, kan de rugleuning schuiner naar achteren worden gebracht door de knop Omlaag  ingedrukt te houden. Dit zorgt voor een wat comfortabeler positie voor het nemen van uw bad en kunt u zichzelf ook dieper in het badwater laten zakken (niet op model ORCA F).

8. Houd de knop Omlaag ingedrukt totdat de rugleuning de gewenste stand heeft bereikt.

 Volg deze stappen in omgekeerde richting om uit de badkuip te komen.

9. Druk om de rugleuning of de badlift omhoog te brengen op de knop Omhoog  en houd deze ingedrukt totdat de zitting zich op dezelfde hoogte bevindt als de rand van de badkuip.

**BELANGRIJK!**

- Koppel de handbediening los van het apparaat wanneer de badlift niet wordt gebruikt. Zie stap 3 in 5.2 *De badlift verwijderen, pagina 208*

5 Transport

5.1 Veiligheidsinformatie



LET OP!

De rugleuning is niet vergrendeld aan de zitting wanneer de stoel is ingeklapt, en kan losraken van de zitting.

- Verwijder de zuignappen niet tijdens het verplaatsen van de badlift.
- Neem de handbediening uit de rugleuning voor het verplaatsen.
- Raadpleeg de voorschriften voor opslag en transport in hoofdstuk 9.4 *Omgevingsparameters, pagina 216*

1. Verwijder de handbediening.
2. Demonteer de badlift in twee delen voor transport (zitting en rugleuning), → 5.2 *De badlift verwijderen, pagina 208*

5.2 De badlift verwijderen

1. Laat het bad leeglopen.
2. Breng de badlift omlaag met de knop Omlaag totdat de rugleuning in de laagste eindpositie stopt, → 4.2 *De badlift bedienen, pagina 204*

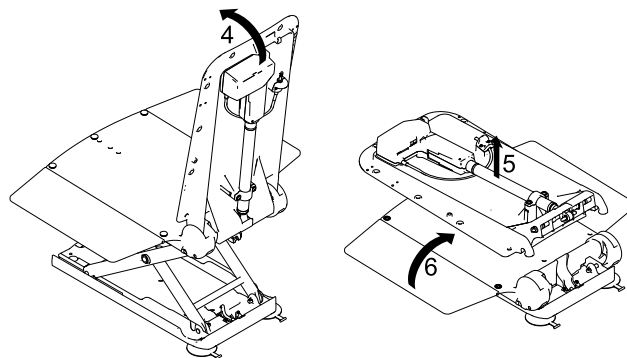
3. Maak de stekkeropening van de spiraalkabel van de handbediening open door op de ontgrendelingshuls te drukken en de afdekking van de contactstekker te trekken.



BELANGRIJK!

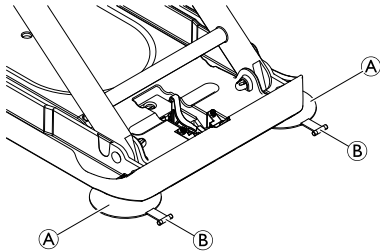
Risico op beschadiging

- Zorg er bij het naar beneden klappen van de rugleuning voor dat de spiraalkabel van de handbediening niet bekneld raakt.
- Klap de rugleuning niet in als er zich water in de badkuip bevindt.



4. Houd de rugleuning met één hand aan het hoofdeinde vast en vouw het naar voren tot de eindpositie.
5. Til de rugleuning van de zitting omhoog en uit het bad.

6. Vouw de zijflappen van de zitting naar binnen.



BELANGRIJK!

- Trek beide achterste zuignappen tegelijkertijd los.

7. Maak de zuignappen aan de achterzijde (A) los door aan de lus (B) te trekken.
8. Til de achterzijde van de zitting verder omhoog. Hierdoor worden de zuignappen aan de voorkant losgetrokken.



BELANGRIJK!

- Als u de hoogte-adapters hebt ingesteld (optioneel), dient u ook de lipjes van de voorste zuignappen los te trekken om deze los te maken.

9. Til de zitting uit het bad.
10. Berg alle onderdelen van de badlift zorgvuldig op.

6 Onderhoud

6.1 Onderhoud en service

Als de meldingen voor reiniging en veiligheid in acht worden genomen, heeft het product geen onderhoud nodig.

! BELANGRIJK!

De handbediening mag alleen worden opengemaakt door de fabrikant van de badlift.

1. Controleer het product regelmatig op schade en zorg ervoor dat het stevig is gemonteerd.
2. Neem direct contact op met uw leverancier in geval van schade en/of vereiste reparatie.
3. De badlift moet worden gecontroleerd door een erkende leverancier voor elk hergebruik. Het wordt aanbevolen de badlift na uiterlijk 24 maanden te controleren (conform EN ISO 10535).
4. Als de badlift langere tijd niet wordt gebruikt, moet de accu volledig worden opgeladen en moet de badlift drie keer zonder lading omhoog en omlaag worden gebracht. Herhaal dit proces elke 3 maanden. Dit helpt de levensduur van de accu te behouden.

6.2 Schoonmaken en desinfecteren

Het product kan worden schoongemaakt en gedesinfecteerd met behulp van commercieel verkrijgbare middelen.

1. Desinfecteer het product door alle algemeen toegankelijke oppervlakken af te nemen met een desinfecteermiddel (indien mogelijk na demontage van het product).

! BELANGRIJK!

- Alle gebruikte reinigings- en desinfecteringsmiddelen moeten effectief zijn, met elkaar gecombineerd kunnen worden en de te reinigen materialen beschermen.
- Raadpleeg voor meer informatie over goede hygiëne en desinfectie (in de intramurale gezondheidszorg) de Nederlandse Vereniging van Zeepfabrikanten (NVZ) (<https://www.nvz.nl/>).
 - Reinig het product regelmatig met de hand.
 - Gebruik geen schurende of bijtende reinigingsmiddelen.

De zitting en de rugleuning reinigen



LET OP!


Beknellingsgevaar voor de vingers

- Wees met name voorzichtig bij het reinigen van het gedeelte rond de liftarmen. Deze kunnen bewegen en zo letsel veroorzaken.

! BELANGRIJK!

Risico op beschadiging

- Gebruik nooit een hogedrukreiniger voor het reinigen van de rugleuning.

1. Reinig het product met een doek of een borstel.
2. Spoel het product met warm water af.
3. Droog het product met een doek.
4. Vet de geleiding van de glijshoek (afb. hoofdstuk 3.2 ) lichtjes met vaseline in.

De hoezen reinigen (optioneel)



Het wordt aanbevolen om de bekleding voorafgaand aan het eerste gebruik te wassen. Om hygiënische redenen wordt aangeraden de bekleding regelmatig te wassen en te verwisselen.

1. Maak de hoezen van de zitting en de rugleuning los.
2. Was de bekleding met een mild wasmiddel in de wasmachine op maximaal 60 °C.



BELANGRIJK!

Risico op beschadiging

- Wassen op hoge temperaturen kan leiden tot beschadigen of krimpen van de hoezen.
- Droog de bekleding niet in de wasdroger.

De lader en de handbediening reinigen



WAARSCHUWING!

Risico op elektrische schokken

- Haal altijd de netstekker uit de contactdoos voordat u de lader gaat reinigen.
- Plaats nooit objecten van geleidend materiaal (bijvoorbeeld breinaalden of metalen pennen) in de stekkeropening van de handbediening.
- Gebruik nooit een natte of vochtige doek voor het reinigen van de lader.

1. Veeg de lader met een droge doek af.
2. Veeg de handbediening af met een vochtige doek en droog deze met een droge doek.

7 Na gebruik

7.1 Opslag



BELANGRIJK!

Risico op beschadiging

- Bewaar dit product niet in de buurt van warmtebronnen.
- Stel dit product niet bloot aan direct zonlicht.
- Raadpleeg het hoofdstuk *9.4 Omgevingsparameters, pagina 216* voor de voorschriften voor opslag en transport.

7.2 Hergebruiken

Dit product is geschikt voor hergebruik. Het aantal keer dat het product kan worden hergebruikt, hangt af van de frequentie van het gebruik en de manier waarop het product wordt gebruikt. Het product moet voor hergebruik een hygiënische voorbereiding ondergaan (→ *6.2 Schoonmaken en desinfecteren, pagina 210*) en worden gecontroleerd om te verzekeren dat het product nog in goede staat is en veilig werkt. Repareer het product indien nodig.

7.3 Afvoeren

Het afvoeren en recyclen van gebruikte producten en verpakkingsmaterialen moet plaatsvinden volgens de toepasselijke plaatselijke wet- en regelgeving.



WAARSCHUWING!

- Gooi de handbediening niet in het vuur en bewaar die ook niet in de buurt van open vuur.

Meldingsplicht in overeenstemming met de Duitse regelgeving inzake Accu's, BattG:

Dit product bevat een oplaadbare lithium-ionaccu. Lege accu's of accu's die niet langer kunnen worden opgeladen, mogen niet worden weggegooid met het huisafval. Oude accu's kunnen gevaarlijke stoffen bevatten die schadelijk kunnen zijn voor het milieu en de volksgezondheid.

Breng dergelijke accu's naar uw verkoper of naar het lokale verzamelpunt. Het inleveren van deze accu's is gratis en is wettelijk verplicht.

Plaats lege accu's alleen in de geleverde containers en dek de polen van lithiumaccu's af.

8 Problemen oplossen

8.1 Storingen identificeren en oplossen



In de volgende tabel vindt u een overzicht van storingen en de mogelijke oorzaken daarvan. Als u de storing niet kunt verhelpen met behulp van de gegeven oplossingen, kunt u ook rechtstreeks contact opnemen met uw leverancier.

Storing	Mogelijke oorzaak	Oplossing
Er is geen motorgeluid te horen/de lift beweegt niet.	De stekkeropening van de handbediening is niet goed vastgeklikt.	Klik de stekkeropening vast, → 3.3 <i>De badlift opzetten, pagina 199</i>
	De accu is leeg.	Laad de accu volledig op, → 3.4 <i>De accu opladen, pagina 202</i>
	De contactpunten zijn vuil.	Maak de stekker in de rugleuning schoon, → neem indien nodig contact op met uw leverancier.
	De kabel is bekneld of beschadigd.	Vervang de handbediening, → neem indien nodig contact op met uw leverancier.
De lift kan wel omhoog worden gebracht, maar niet omlaag.	De beveiliging tegen laagspanning is geactiveerd.	Laad de accu volledig op, → 3.4 <i>De accu opladen, pagina 202</i>
De lift stopt tijdens het naar boven brengen.	Overbelasting.	Neem de maximale belasting in acht, → 9.1 <i>Afmetingen en gewicht, pagina 215</i>
De badlift kan niet goed worden bevestigd in de badkuip.	De zuignappen zijn oud of beschadigd.	Vervang de zuignappen, → neem indien nodig contact op met uw leverancier.
De accu laadt niet op en het rode indicatorlampje knippert tijdens het opladen.	Defecte elektronica.	Laat uw handbediening controleren door een erkende leverancier.
	Defecte accu.	Vervang de handbediening.

Storing	Mogelijke oorzaak	Oplossing
	Defecte acculader.	Laat uw lader controleren door uw erkende leverancier.
	De accu wordt te heet.	Laad de handbediening niet op in de buurt van warmtebronnen, zoals verwarmingselementen of direct zonlicht. De accu wordt weer verder opgeladen zodra de temperatuur is gedaald tot de toegestane waarden.

9 Technische Specificaties

9.1 Afmetingen en gewicht

Totale lengte in laagste stand	920 mm
Totale lengte in hoogste stand	650 mm
Totale hoogte in hoogste stand	1075 mm
Lengte van zitting	590 mm
Breedte van zitting met zijflappen naar buiten gevouwen	715 mm
Breedte van zitting met zijflappen naar binnen gevouwen	390 mm
Hoogte van zitting in laagste stand	60 mm
Hoogte van zitting in hoogste stand	420 mm
Breedte van rugleuning	360 mm
Minimale hoek van rugleuning	8°
Breedte van basisplaat	295 mm
Maximale belasting (ORCA / ORCA F) Maximale belasting (ORCA XL)	140 kg 170 kg
Totaal gewicht zonder handbedieningseenheid (ORCA) (ORCA F) (ORCA XL)	10,8 kg 11,4 kg 11,6 kg

Gewicht van zitting (ORCA) (ORCA F) (ORCA XL)	6,6 kg 7,2 kg 7,4 kg
Gewicht van rugleuning (ORCA / ORCA F / ORCA XL)	4,2 kg
Gewicht van handbedieningseenheid	0,4 kg
Gewicht van lader	0,1 kg

9.2 Elektronische gegevens

Activeringsdruk voor de knoppen van de handbediening	< 5 N
Bedrijfsspanning van handbediening ¹⁾	10,8 V DC / 14 V DC
Nominale ingangsvoeding ¹⁾	43 VA / 56 VA
Nominale stroomwaarde	4 A
Accutype	Lithium-ion
Laderinvoer	100 - 240 V AC, 50 - 60 Hz
Laderuitvoer	24 V DC, 135 mA, 3 VA
Laadtijd vanaf waarschuwing voor laagspanning	ongeveer 4,5 uur
Type beveiliging, aandrijving	IP X6 W ²⁾
Type beveiliging, handbediening	IP 67 ³⁾

Type beveiliging, hele apparaat	IP X6 ⁴⁾
Geluidsniveau	52 dB(A)

De actuator schakelt niet uit wanneer het product wordt overbelast. Zorg ervoor dat u de badlift niet overbelast om beschadigingen te voorkomen.

¹⁾ 10,8 V DC / 43 VA geldig bij gebruik van handbedieningen met een voltage van 10,8 V, die staat vermeld achter op de handbediening.

14 V DC / 56 VA geldig bij gebruik van handbedieningen met een voltage van 14 V, die staat vermeld achter op de handbediening.

²⁾ Beschermd tegen indringen van water in geval van krachtige waterstralen, getest onder voorgeschreven wateromstandigheden.

³⁾ Stofbestendig en beschermd tegen indringen van water in geval van tijdelijke onderdompeling.

⁴⁾ Beschermd tegen indringen van water in geval van krachtige waterstralen.

9.3 Materialen

Rugleuning	PPGF
Zitplaat	PPGF
Afdekkingen	PVC



Alle gebruikte materialen zijn roestbestendig en latexvrij.

9.4 Omgevingsparameters

Bedrijfsomstandigheden	
Omgevingstemperatuur	10 - 40 °C
Relatieve luchtvochtigheid	15% - 93%, zonder condensvorming
Atmosferische druk	795 - 1060 hPa
Voorschriften voor opslag en transport	
Omgevingstemperatuur	0 - 40 °C
Relatieve luchtvochtigheid	30% - 75%, zonder condensvorming
Atmosferische druk	795 - 1060 hPa

10 Elektromagnetische compatibiliteit (EMC)

10.1 Algemene informatie over EMC

Elektrische medische apparatuur moet worden geïnstalleerd en gebruikt in overeenstemming met de EMC-informatie in deze handleiding.

Tests hebben uitgewezen dat dit product voldoet aan de EMC-richtlijnen volgens IEC/EN 60601-1-2 voor apparatuur van klasse B.

Draagbare en mobiele RF-communicatieapparatuur kan de werking van dit product beïnvloeden.

Bij andere apparaten kan er al van interferentie sprake zijn bij zeer lage elektromagnetische straling, zelfs als wordt voldaan aan bovengenoemde richtlijnen. Om te kunnen bepalen of emissie uit dit product de oorzaak is van de interferentie, schakelt u het product in en weer uit. Als er bij uitschakeling van dit product geen interferentie meer optreedt, is het product de oorzaak van de interferentie. In dit soort zeldzame gevallen kunt u het volgende doen om de interferentie te verminderen of te stoppen:

- Draai of verplaats het product, of vergroot de afstand tussen de apparaten.

10.2 Elektromagnetische straling

Richtlijn en verklaring van de fabrikant

Dit product is bedoeld voor gebruik in een elektromagnetische omgeving zoals hieronder aangegeven. De klant of de gebruiker van dit product moet zeker stellen dat dit in een dergelijke omgeving wordt gebruikt.

RF-emissietest	Naleving	Elektromagnetische omgeving – richtlijn
RF-emissies CISPR 11	Groep I	Dit product gebruikt elektromagnetische energie uitsluitend voor de interne functies. Daardoor zijn de RF-emissies zeer laag en veroorzaken deze hoogstwaarschijnlijk geen interferentie in nabije apparaten.
RF-emissies CISPR 11	Klasse B	Dit product is geschikt voor gebruik in alle situaties, inclusief thussituaties en overal waar het openbare laagspanningsnet de stroom levert voor huishoudelijke doeleinden.


Harmonische emissies IEC 61000-3-2	Klasse A	
Spanningsfluctuaties/ flikkeremissies IEC 61000-3-3	Voldoet	

10.3 Elektromagnetische immuniteit

Richtlijn en verklaring van de fabrikant

Dit product is bedoeld voor gebruik in een elektromagnetische omgeving zoals hieronder aangegeven. De klant of de gebruiker van dit product moet zeker stellen dat dit in een dergelijke omgeving wordt gebruikt.

Immuniteitstest	Testniveau/ mate van overeenkomst	Elektromagnetische omgeving– richtlijn
Elektrostatische ontlading (ESD) IEC 61000-4-2	± 8 kV contact ± 2 kV, ± 4 kV, ± 8 kV, 15 kV lucht	Vloeren moeten van hout, beton of tegels zijn. Als vloeren zijn bekleed met synthetische vloerbedekking, moet de relatieve vochtigheid minstens 30% bedragen.
Elektrostatische transiënt/ burst IEC 61000-4-4	± 2 kV voor stroomtoevoerkabels; 100 kHz herhaalfrequentie ± 1 kV voor input-/outputkabels; 100 kHz herhaalfrequentie	De kwaliteit van de netstroom moet overeenkomen met die van een commerciële omgeving of ziekenhuisomgeving.
Overspanning IEC 61000-4-5	± 1 kV kabel naar kabel ± 2 kV kabel naar aarde	De kwaliteit van de netstroom moet overeenkomen met die van een commerciële omgeving of ziekenhuisomgeving.

Immunitiestest	Testniveau/ mate van overeenkomst	Elektromagnetische omgeving- richtlijn
Spanningsdips, korte onderbrekingen en spanningsvariaties op stroomtoevoerkabels IEC 61000-4-11	$< 0\% U_T$ gedurende 0,5 cyclus in stappen van 45° $0\% U_T$ gedurende 1 cyclus $70\% U_T$ gedurende 25/30 cycli $< 5\% U_T$ gedurende 250/300 cycli	De kwaliteit van de netstroom moet overeenkomen met die van een commerciële omgeving of ziekenhuisomgeving. Als de gebruiker van dit product continue beschikbaarheid vereist gedurende netspanningsonderbrekingen, wordt aangeraden het product van voeding te voorzien met een noodstroomvoorziening (UPS, Uninterruptable Power Supply) of een accu. U_T is de netspanning vóór toepassing van de test.
Magnetisch veld van netstroomfrequentie (50/60 Hz) IEC 61000-4-8	30 A/m	Magnetische velden van de netspanningsfrequentie moeten op een niveau liggen dat kenmerkend is voor een typische commerciële omgeving of ziekenhuisomgeving.
Geleidings-RF IEC 61000-4-6	3 V $150\text{ kHz} - 80\text{ Mhz}$ 6 V binnen bandbreedtes voor ISM en amateurradio	De veldsterkte van vaste zenders, zoals basisstations voor draadloze telefonie, mobilofoons, amateurzenders, AM- en FM-radiozenders en tv-zenders kunnen theoretisch niet nauwkeurig worden voorspeld. Om de invloed van vaste RF-zenders op de elektromagnetische omgeving te bepalen, moet een elektromagnetisch veldonderzoek worden overwogen. Indien de gemeten veldsterkte op de locatie waar het product wordt gebruikt de eerdergenoemde toegestane elektromagnetische waarden overstijgt, moet dit product worden geobserveerd om normaal functioneren vast te stellen. Als abnormaal functioneren wordt geconstateerd, zijn wellicht extra maatregelen nodig, zoals het verdraaien of verplaatsen van het product. Interferentie kan optreden in de nabijheid van apparatuur met het volgende symbool: 

Immunitiestest	Testniveau/ mate van overeenkomst	Elektromagnetische omgeving- richtlijn
Stralings-RF IEC 61000-4-3	10 V/m 80 Mhz - 2,7 GHz Zie tabel 9 van IEC 60601-1-2:2014 voor specificaties van de 385 MHz - 5785 MHz-test met betrekking tot immuniteit voor draadloze RF-communicatie-apparatuur.	Houd draagbare en mobiele RF-communicatieapparatuur op ten minste 30 cm van de onderdelen van dit product (inclusief kabels).



Deze richtlijnen zijn mogelijk niet in alle omstandigheden van toepassing. Elektromagnetische straling wordt beïnvloed door absorptie en reflectie van gebouwen, objecten en mensen.

Indholdsfortegnelse

Denne vejledning skal overdrages til slutbrugeren. Før du benytter dette produkt, skal du læse denne vejledning, og du bør opbevare den til senere brug.

1 Generelt	.222
1.1 Indledning	.222
1.2 Symboler i denne brugsanvisning	.222
1.3 Garanti	.223
1.4 Overensstemmelse	.223
1.4.1 Produktspecifikke standarder	.223
1.5 Tiltænkt anvendelse	.223
1.6 Servicelevetid	.223
2 Sikkerhed	.224
2.1 Sikkerhedsoplysninger	.224
2.2 Sikkerhedsoplysninger om elektromagnetisk kompatibilitet	.225
2.3 Mærkater og symboler på produktet	.225
3 Udpakning	.227
3.1 Sikkerhedsoplysninger	.227
3.2 Leveringsomfang	.227
3.3 Opsætning af badekarliften	.228
3.4 Opladning af batteriet	.231
4 Brug	.233
4.1 Sikkerhedsoplysninger	.233
4.2 Styling af badekarliften	.233
4.3 Badning	.234
5 Transport	.236
5.1 Sikkerhedsoplysninger	.236
5.2 Afmontering af badekarliften	.236
6 Vedligeholdelse	.238
6.1 Vedligeholdelse og serviceeftersyn	.238

6.2 Rengøring og desinfektion	.238
7 Efter brug	.240
7.1 Opbevaring	.240
7.2 Fornyet brug	.240
7.3 Bortskaffelse	.240
8 Fejlfinding	.241
8.1 Fejlfinding og afhjælpning af fejl	.241
9 Tekniske Data	.243
9.1 Mål og vægt	.243
9.2 Elektronikdata	.243
9.3 Materialer	.244
9.4 Miljøparametre	.244
10 Elektromagnetisk kompatibilitet (EMC)	.245
10.1 Generelle oplysninger om elektromagnetisk kompatibilitet (EMC)	.245
10.2 Elektromagnetisk emission	.245
10.3 Elektromagnetisk immunitet	.246

1 Generelt

1.1 Indledning

Denne brugsanvisning indeholder vigtige anvisninger om håndtering af produktet. For at vi kan garantere sikkerheden ved brug af produktet, skal brugsanvisningen læses omhyggeligt, og sikkerhedsanvisningerne skal følges.

Bemærk, at der kan være afsnit i brugsanvisningen, der ikke er relevante for dit produkt, da den er gældende for alle tilgængelige modeller (på udgivelsesdatoen). Medmindre andet er anført, henviser de enkelte afsnit i denne brugsanvisning til alle modeller af produktet.

Alle modeller og konfigurationer, der er tilgængelige i dit land, kan findes i de landespecifikke prislister.

Invacare forbeholder sig retten til at ændre produktspecifikationer uden forudgående varsel.

Før denne manual læses, skal det sikres, at det er den nyeste version. Den nyeste version findes i PDF-format på Invacares hjemmeside.

Hvis skriftstørrelsen i den trykte version af brugsanvisningen er svær at læse, kan brugsanvisningen downloades i PDF-version på hjemmesiden. PDF-filen kan derefter indstilles til en skriftstørrelse på skærmen, der passer dig bedre.

Det er muligt at få flere oplysninger om produktet, f.eks. sikkerhedsanvisninger til produkter og tilbagekaldelser af produkter, ved at kontakte din Invacare-forhandler. Adresserne findes i slutningen af dette dokument.

1.2 Symboler i denne brugsanvisning

I denne manual vises advarsler med symboler. Advarselssymbolerne ledsages af en overskrift, der viser, hvor alvorlig faren er.



ADVARSEL

Angiver en potentielt farlig situation, som, hvis den ikke undgås, kan resultere i alvorlig kvæstelse eller død.



FORSIGTIG

Angiver en potentielt farlig situation, som, hvis den ikke undgås, kan resultere i en mindre eller lille kvæstelse.



VIGTIGT

Angiver en potentielt farlig situation, som, hvis den ikke undgås, kan resultere i beskadigelse af ejendom.



Tips og anbefalinger

Giver nyttige tips, anbefalinger og oplysninger, der sikrer en effektiv, problemfri anvendelse.



Dette produkt overholder EU-direktivet

93/42/EØF om medicinsk udstyr. Lanceringsdatoen for dette produkt fremgår af CE-overensstemmelseserklæringen.



Producent.

1.3 Garanti

Vi yder en producentgaranti på produktet i overensstemmelse med vores almindelige forretningsbetingelser og vilkår i de respektive lande. Der kan kun rejses garantikrav gennem den forhandler, som produktet er købt hos.

Betræk og sugekopper er ikke omfattet af denne garanti.

1.4 Overensstemmelse

Kvalitet er afgørende for virksomhedens virke, og vi arbejder ud fra ISO 13485.

Dette produkt er CE-mærket i overensstemmelse med direktivet om medicinsk udstyr 93/42/EØF klasse 1.

Vi arbejder løbende på at sikre, at virksomhedens påvirkning af miljøet, lokalt og globalt, reduceres til et minimum.

Vi anvender udelukkende materialer og komponenter, der overholder REACH-direktivet.

Vi overholder de gældende miljølovgivninger WEEE og RoHS.

1.4.1 Produktspecifikke standarder

Produktet overholder kravene iht. standarden ISO 10535 (Personløftere til flytning af handicappede personer – krav og prøvningsmetoder).

Kontakt Invacare i dit land for at få yderligere oplysninger (se adresser i slutningen af dette dokument).

1.5 Tiltænkt anvendelse

En badekarlift gør det lettere/muligt at komme ned i og op af badekarret. Den er udelukkende beregnet som

et hjælpemiddel til badning for personer med reduceret mobilitet. Enhver anden brug er forbudt.

Indikationer

- Betydeligt reduceret funktion / manglende funktion af arme og/eller ben (ved amputeringer, lammelse, lidelser i leddene, neuromuskulære lidelser med svækkelse af arme og ben), når det ikke længere er muligt for patienten selv at komme ned i og op af badekarret eller at sætte sig og rejse sig. Patienten skal stadig have kontrol over kroppen og have basal funktionalitet i arme og ben.
- Kroniske følger af sygdom med funktionsbegrænsninger af arme og/eller ben, som medfører, at patienten ikke længere selv kan tage bad, men hvor patienten i vid udstrækning selv kan tage bad ved brug af badekarlift, og andre hjælpemidler til badning for at kompensere for handicappet ikke er tilstrækkelige.

Kontraindikationer

Der er ingen kontraindikationer forbundet med korrekt brug.

1.6 Servicelevetid

Den forventede servicelevetid for dette produkt er fem år, når det anvendes dagligt og i overensstemmelse med sikkerhedsanvisningerne, vedligeholdelsesintervallerne og den korrekte brug, der fremgår af denne brugsanvisning. Den effektive servicelevetid kan variere afhængigt af hyppighed og intensitet af brugen.

2 Sikkerhed

2.1 Sikkerhedsoplysninger



ADVARSEL!

- UNDLAD at bruge dette produkt eller nogen former for ekstraudstyr uden først at have læst og forstået denne vejledning og andet instruktionsmateriale som f.eks. brugsanvisninger, servicemanualer eller instruktionsblade, der leveres sammen med dette produkt eller ekstraudstyret. Invacare produktmanualer fås på internettet eller hos din lokale forhandler (adresser findes på bagsiden af denne manual).
- Hvis du ikke kan forstå advarslerne, forsigtighedsanvisningerne eller instruktionerne, skal du kontakte en sundhedsprofessionel, forhandleren eller teknisk personale, før dette udstyr tages i brug – i modsat fald kan der opstå person- eller produktskade.



ADVARSEL!

Risiko for personskade

- Produktet må ikke anvendes, hvis det er defekt.
- I tilfælde af fejl skal du omgående kontakte din forhandler.
- Foretag ikke uautoriserede ændringer af produktet.
- Brug kun reservedele, der er beregnet til dette produkt.



ADVARSEL!

Risiko for personskade

- Stå aldrig på badekarsliften, når du stiger ned i eller op af badekarret, brug den ikke til at klatre op eller ned ad, som løfteplatform eller til lignende formål.



VIGTIGT!

- Oplysningerne i dette dokument kan ændres uden forudgående varsel.
- Kontrollér alle dele for transportskader, og test dem inden brug.

2.2 Sikkerhedsoplysninger om elektromagnetisk kompatibilitet



ADVARSEL!

Risiko for fejlfunktion på grund af elektromagnetisk interferens

Der kan opstå elektromagnetisk interferens mellem dette produkt og andet elektrisk udstyr, og det kan forstyrre dette produkts elektriske justeringsfunktioner. Denne elektromagnetiske interferens kan forhindres, reduceres eller fjernes på følgende måde:

- Brug kun kabler, tilbehør og reservedele, der er originale, så du ikke øger dette produkts elektromagnetiske emission eller dets elektromagnetiske immunitet.
- Undlad at bruge bærbart RF-kommunikationsudstyr (radiofrekvens) tættere end 30 cm fra nogen del af dette produkt (inklusive kabler).
- Undlad at bruge dette produkt i nærheden af aktivt højfrekvensoperationsudstyr og det RF-afskærmede lokale for et MRI-system (Magnetic Resonance Imaging), hvor der er en høj intensitet af elektromagnetiske forstyrrelser.
- Hvis der opstår forstyrrelser, skal du øge afstanden mellem dette produkt og det andet udstyr eller slukke for det.
- Se de detaljerede oplysninger, og følg anvisningerne i kapitlet *10 Elektromagnetisk kompatibilitet (EMC), side 245*



ADVARSEL!

Risiko for fejl

Elektromagnetisk interferens kan medføre, at udstyret ikke fungerer korrekt.

- Dette produkt må ikke bruges ved siden af eller placeret oven på andet elektrisk udstyr. Hvis en sådan brug er nødvendig, skal dette produkt og andet udstyr observeres nøje for at kontrollere, at det fungerer normalt.

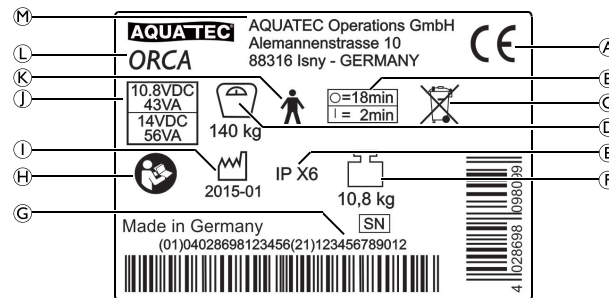


Vi har ikke kendskab til nogen risici i forbindelse med brug af produkter som f.eks. en pacemaker.

2.3 Mærkater og symboler på produktet

Produktmærkat

Produktmærkaten indeholder vigtige tekniske oplysninger:



Ⓐ	Overensstemmelsesmærke
Ⓑ	Brugsinterval (kontinuerlig motordrift er ikke tilladt): maks. 2 minutters kontinuerlig brug efterfulgt af en pause på 18 minutter
Ⓒ	Bemærk (bortskaffelse)
Ⓓ	Maks. brugervægt
Ⓔ	Beskyttelsestype
Ⓕ	Produktvægt
Ⓖ	Serienummer
Ⓗ	Læs brugsanvisning
Ⓘ	Produktionsdato
Ⓝ	Nominel spænding/nominel effekt, se 9.2 <i>Elektronikdata, side 243</i>
Ⓚ	Anvendt del af type B
Ⓛ	Produktbetegnelse
Ⓜ	Producent

ⓘ Produktmærkaten er fastgjort bag på ryglænet.

3 Udpakning

3.1 Sikkerhedsoplysninger



VIGTIGT!

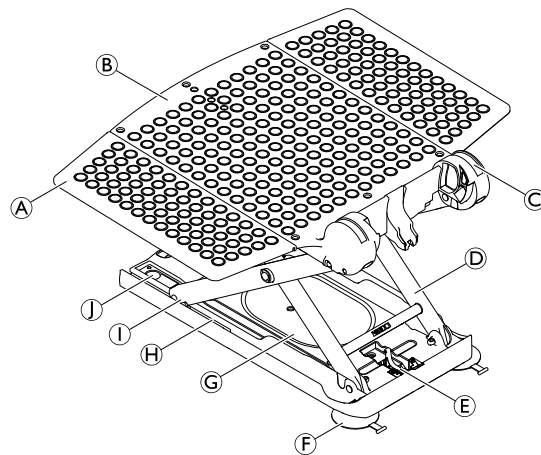
- Kontrollér delene for transportskader før ibrugtagning, og kontakt om nødvendigt din forhandler.
- Kontrollér under monteringen, at delene placeres korrekt i forhold til hinanden.
- Det anbefales at vaske polstringen før første ibrugtagning, se kapitel 6.2 *Rengøring og desinfektion*, side 238

3.2 Leveringsomfang

Denne brugsanvisning vedrører modellerne ORCA, ORCA F og ORCA XL. Der er forskel på disse modeller med hensyn til vægt og maks. brugervægt – se afsnit 9.1 *Mål og vægt*, side 243. Til alle tre modeller fås sædebetræk og ryglæns polstring som ekstraudstyr. Ryglænet kan ikke sænkes på model ORCA F.

Følgende komponenter medfølger ved levering:

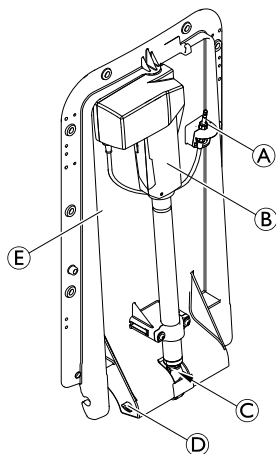
Sæde



(A)	Sideklap
(B)	Sædeplade
(C)	Hængsel til ryglæn
(D)	Løftesaks
(E)	Spindelfodsholder
(F)	Bageste sugekopper (to flige med gevind)
(G)	Bundplade
(H)	Ledeskinne til glidesko

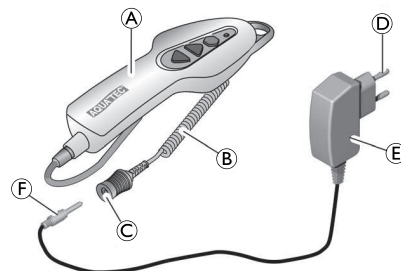
①	Glidesko
①	Forreste sugekopper (én flig med hoved)

Ryglæn



Ⓐ	Jack-hanstik
Ⓑ	Drev
Ⓒ	Spindelfod
Ⓓ	Låsestift
Ⓔ	Plade, ryglæn

Håndbetjening og oplader



Ⓐ	Håndbetjening med batteri
Ⓑ	Spiralledning til håndbetjening
Ⓒ	Jack-hunstik på håndbetjening
Ⓓ	Strømsstik
Ⓔ	Oplader
Ⓕ	Jack-hanstik på oplader

3.3 Opsætning af badekarsliften



ADVARSEL!

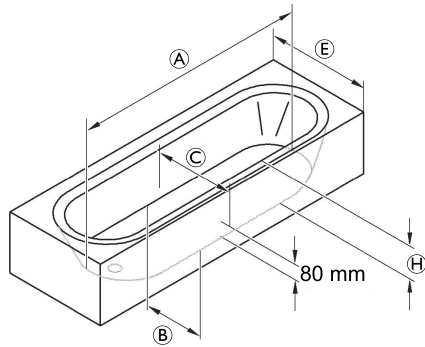
Risiko for at glide

Badekarsliften kan skride, hvis sugekopperne ikke har et godt greb.

- Rengør badekarret og sugekopperne med en fugtig klud, før badekarsliften sættes op.
- Flyt ikke badekarsliften i badekarret, når den er sat op.

**ADVARSEL!****Risiko for kvæstelser og skader!**

- Monter kun badekarsliften i badekar, der overholder specifikationerne i nedenstående skema.
- Hvis badekarret har sideoverløb, skal specialsideklapperne bruges (fås som tilbehør).

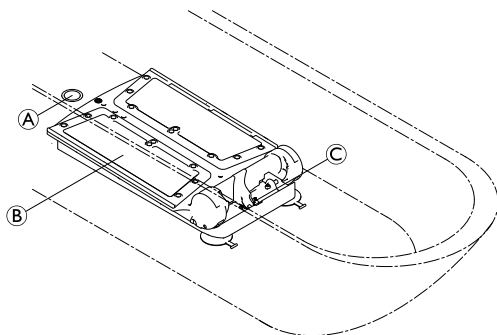


Ⓐ	Badekarrets længde, bund	≥ 800 mm
Ⓑ	Badekarrets bredde, bund (inderside)	≥ 280 mm
Ⓒ	Badekarrets bredde ved en højde på 80 mm (indvendig)	≥ 430 mm

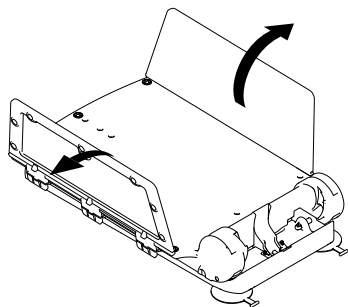
Ⓔ	Badekarrets bredde (udvendig)	580-690 mm (med specialsideklapper) 700-740 mm (med standardsideklapper) 750-1000 mm (med specialsideklapper)
Ⓕ	Badekarrets højde (indvendig)	≤ 420 mm (med adapter til tilpasning af højden, maks. + 60 mm)

**VIGTIGT!**

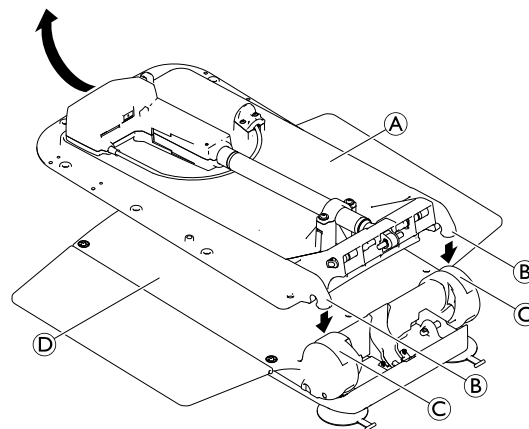
- Sørg for, at sugekopperne er monteret korrekt.
- Sørg for, at batteriet i håndbetjeningen er opladet.
- Sørg for, at spindelfoden er helt isat.
- Husk at beregne vægten af komponenterne, når badekarsliften løftes, se afsnit 9.1 *Mål og vægt, side 243*
- Hvis der er monteret et gelænder på indersiden af badekarret, skal du bruge anordningerne til at vende sideklappen (fås som tilbehør).
- Fold sideklapperne udad, før ryglænet foldes op.



1. Placer sædet ② på bunden af det tomme badekar. Sørg for, at spindelfodsholderen ③ peger mod enden af badekarret modsat afløbet ①.



2. Fold sideklapperne på sædet udad.



3. Placer ryglænet ① (uden håndbetjeningen) på sædet, så krogene ② i ryglænet passer ind i hængslerne ③ på sædepladen ④.

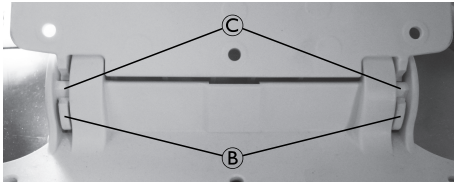


VIGTIGT!

Risiko for beskadigelse

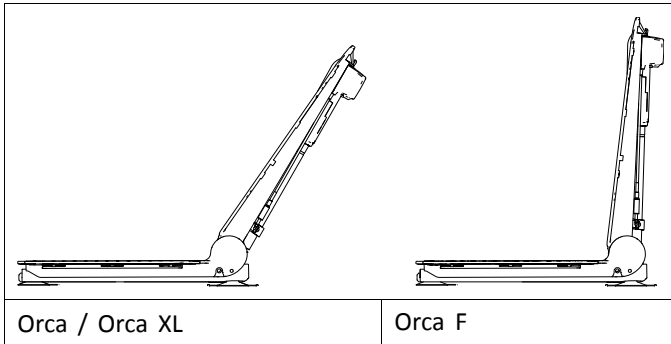
Skader på produktet som følge af, at spindelfoden glider ud.

- Sørg for, at spindlen er trukket helt ind, og at spindelfoden er plan og ikke snoet, før du klapper ryglænet op.
- Når ryglænet er foldet op, skal du kontrollere, at spindelfoden sidder i spindelfodsholderen.

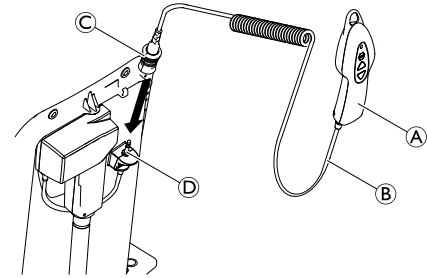
**VIGTIGT!****Risiko for beskadigelse**

Beskadigelse af produktet på grund af forkert samling af ryglænet.

- Sørg for, at begge kroge B på ryglænet går i indgreb med hængslerne C på sædepladen.
- Sørg for, at ryglænet er klappet op til endepositionen, uden at tvinge det op og uden mærkbar modstand. Endepositionen er angivet på følgende illustration.



4. Hold ryglænet midt for hovedenden, og klap det forsigtigt op til endepositionen.



5. Sæt jack-hunstikket med låsebøsningen C til spiralledningen B på håndbetjeningen A i jack-hanstikket D, indtil låsemekanismen går tydeligt i indgreb.

**VIGTIGT!****Risiko for beskadigelse**

- Sørg for at ryglænet ikke berører kanten af badekarret.
- Flyt eventuelt badekarsliften længere frem i badekarret. Hvis du vil flytte badekarsliften længere frem i badekarret, skal du sænke badekarsliften til bunden, løsne sugkopperne og derefter flytte badekarsliften.

3.4 Opladning af batteriet

Badekarsliften kan ikke bruges, mens batteriet oplades.



ADVARSEL!

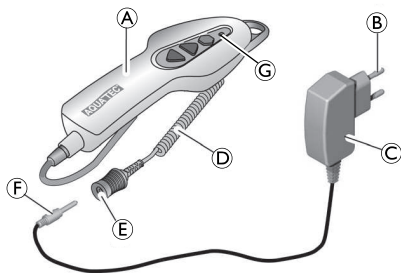
Risiko for elektrisk stød

- Genopladningen af batteriet må kun foretages i et tørt rum ved rumtemperatur (15 °C til 25 °C) og aldrig på badeværelset.



VIGTIGT!

- Benyt kun den oplader, der fulgte med produktet, til at oplade batteriet i håndbetjeningen.
- Opladeren må kun tilsluttes strømforsyningen, når håndbetjeningen er tilsluttet opladeren.
- Sørg for, at de specifikationer for spænding, som er vist på opladeren, svarer til specifikationerne for strømforsyningen.



1. Sæt jackstikket (F) på opladeren (C) i stikket (E) til spiralledningen (D) på håndbetjeningen (A), indtil den går i indgreb.
2. Sæt opladerens stik (B) i en stikkontakt.



Den røde indikatorlampe (G) på håndbetjeningen slukkes, når batteriet er helt ladet op. Det er ikke muligt at "overoplade" batteriet.

3. Tag opladerstikket ud af stikkontakten.
4. Træk opladerens jackstik ud af stikket på håndbetjeningen.

4 Brug

4.1 Sikkerhedsoplysninger



FORSIGTIG!

Overbelastning af badekarsliften kan medføre produktskade eller -nedbrud.

- Undlad at overbelaste badekarsliften, og overhold specifikationerne om belastningsevne på typeskiltet og i afsnit 9.1 *Mål og vægt, side 243*



FORSIGTIG!

Fare for klemte fingre

- Stik aldrig fingrene ind i skinnen mellem sædepladen og ryglænet.
- Ræk ikke ind under sædepladen eller ind imellem løftesaksene.



VIGTIGT!

Der kan trænge fugt ind i en beskadiget håndbetjening, hvilket kan forårsage kortslutning og brand.

- Inspicer altid produktet visuelt for at afsløre uventede skader før hver brug.
- Hvis håndbetjeningens hus er beskadiget eller har revner, må håndbetjeningen ikke bruges.
- Oplad batteriet helt før hver brug, 3.4 *Opladning af batteriet, side 231*

1. Læs om betingelserne for betjening i afsnit 9.4 *Miljøparametre, side 244*

4.2 Styring af badekarsliften

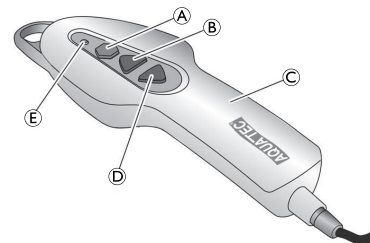
Badekarsliften kan bevæges i følgende retninger:



Badekarsliften styres med håndbetjeningen, enten af brugeren eller af en hjælper.



Med et fuldt opladet batteri kan ORCA og ORCA F udføre 5 badninger med en belastning på 140 kg. ORCA XL kan udføre 4 badninger med en belastning på 170 kg.



VIGTIGT!

Risiko for beskadigelse

- Håndbetjeningen må kun bruges, når ryglænet er korrekt monteret og i oprejst position.

! **VIGTIGT!**

Hvis batteriet i håndbetjeningen © ikke er tilstrækkeligt opladet, lyser den røde indikatorlampe ⑤ rødt, når der trykkes på ned-knappen ④. I dette tilfælde er funktionen til sænkning af badekarsliften deaktiveret. Du kan dog stadig hæve liften.

– Lad omgående batteriet op, når du har hævet badekarsliften.

Sådan hæves badekarsliften**!** **VIGTIGT!**

Hvis ryglænet er sænket, flyttes det først til oprejst position (ikke på ORCA F-modellen).

1. Tryk på op-knappen ⑥ på håndbetjeningen, og hold den inde.
Ryglænet bevæger sig til oprejst position, eller sædet bevæger sig opad.
2. Slip op-knappen på håndbetjeningen.
Badekarsliften stopper i den aktuelle position.

Sådan sænkes badekarsliften**!** **VIGTIGT!**

Hvis sædet allerede er sænket, sænkes ryglænet bagud (ikke på ORCA F-modellen).

1. Tryk på ned-knappen ④ på håndbetjeningen, og hold den inde.
Sædet bevæger sig nedad, eller ryglænet vipper bagud.
2. Slip ned-knappen på håndbetjeningen.
Badekarsliften stopper i den aktuelle position.

Nødstopkontakt**!** **VIGTIGT!**

Tryk kun på nødstopknappen ①, hvis enheden ikke stopper med det samme, når op- eller ned-knappen slippes (f.eks. hvis en knap sætter sig fast). Badekarsliften holder straks op med at bevæge sig, og den røde lampe i håndbetjeningen lyser.

Hvis den røde indikatorlampe slukkes, efter at du har sluppet nødstopknappen, er fejlen afhjulpet (f.eks. knappen er sluppet igen). Enheden er klar til brug igen.

Hvis den røde indikatorlampe stadig lyser, efter at du har sluppet nødstopknappen, er fejlen ikke afhjulpet endnu. Enheden er ikke klar til brug og skal repareres, f.eks. hvis de elektroniske dele er beskadiget.



Kontakt om nødvendigt din specialforhandler.

4.3 Badning**ADVARSEL!****Risiko for at glide**

Badekarsliften kan skride, hvis sugekopperne ikke har et godt greb.

- Inden du bruger badekarsliften, skal du kontrollere, at den er placeret korrekt og ikke kan vælte.
- Kontrollér, at badekarsliften er monteret i badekarret, → 3.3 Opsætning af badekarsliften, side 228

**ADVARSEL!**

- Hvis din tilstand indebærer, at du ikke kan tage bad på egen hånd, skal en anden person overvåge brugen af enheden.
- Hvis du betjener anordningen uden opsyn, skal du sørge for at have et alarmsystem eller en telefon inden for rækkevidde i tilfælde af uforudsete hændelser (f.eks. fejlfunktion).

**FORSIGTIG!**

- Badeolie eller -salt kan forringe løftesaksens ydeevne.
- Hvis sådanne tilsætningsstoffer anvendes, må den anbefalede dosis ikke overskrides.

**VIGTIGT!**

- Kør liften op og derefter ned én gang uden belastning (funktionstest).
- Kontrollér badevandets temperatur inden brug.

1. Tryk på og hold op-knappen nede (B), indtil sædet er i niveau med badekarrets kant.
2. Kontrollér, at sideklapperne er i niveau med sædet og hviler fladt på badekarrets kant.
3. Fyld badekarret med vand.
4. Sæt dig på den nærmeste sideklap, som hvis det var en stol.
5. Glid baglæns, indtil du sidder midt på sædet.
6. Vend dig, så du sidder i badeposition, ved at løfte det ene ben og derefter det andet over badekarrets kant.
7. Når du sidder korrekt, skal du trykke på ned-knappen (D) og holde den nede for at sænke sædet ned i badekarret.



Når sædet har nået den laveste position, kan du vippe ryglænet tilbage ved at fortsætte med at holde ned-knappen (D) inde. Dette giver en mere behagelig badestilling og gør det muligt at blive dybere nedsænket i badevandet (ikke på ORCA F-modellen).

8. Bliv ved med at trykke på ned-knappen, indtil ryglænet har nået den ønskede position.



Udfør trinnene i omvendt rækkefølge for at komme ud af badekarret.

9. Hvis du vil hæve ryglænet eller badekarsliften, skal du trykke på op-knappen (B) og holde den nede, indtil sædet er på samme niveau som badekarrets kant.

**VIGTIGT!**

- Tag stikket til håndbetjeningen ud af enheden, når badekarsliften ikke er i brug, se afsnit 5.2 *Afmontering af badekarsliften, side 236* trin 3.

5 Transport

5.1 Sikkerhedsoplysninger



FORSIGTIG!

Ryglænet er ikke låst fast på sædet, når det er foldet sammen, og det kan blive adskilt fra enheden.

- Sugekopperne må ikke fjernes, når badekarsliften transporteres.
- Tag håndbetjeningen ud af ryglænet i forbindelse med transport.
- Se forhold i forbindelse med opbevaring og transport i afsnittet *9.4 Miljøparametre, side 244*

1. Fjern håndbetjeningen.
2. Skil badekarsliften i to dele, hvis den skal transporteres (sæde og ryglæn), → *5.2 Afmontering af badekarsliften, side 236*

5.2 Afmontering af badekarsliften

1. Luk vandet ud af badekarret.
2. Sænk badekarsliften ved hjælp af ned-knappen, indtil ryglænet stopper i den sænkede endeposition, → *4.2 Styring af badekarsliften, side 233*

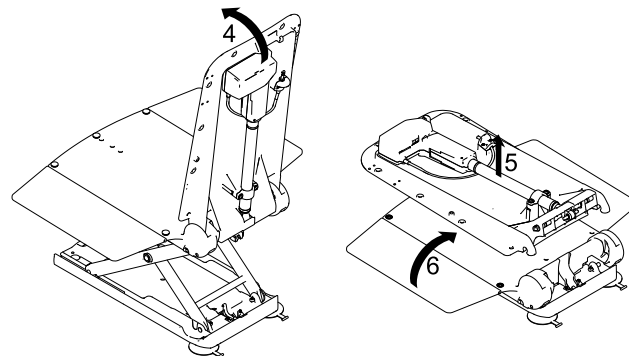
3. Lås jack-hunstikket på håndbetjeningens spiralledning op ved at skubbe låsebøsning op og trække den af jack-hanstikket.



VIGTIGT!

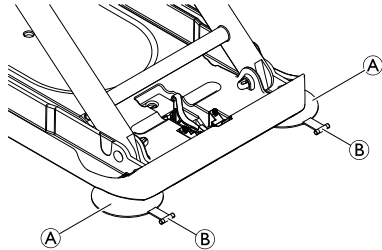
Risiko for beskadigelse

- Når ryglænet foldes ned, skal du sørge for, at spiralledningen til håndbetjeningen ikke kommer i klemme.
- Fold ikke ryglænet ned, hvis der er vand i badekarret.



4. Hold fast i ryglænet i den øverste ende med en hånd, og klap det fremad til endepositionen.
5. Løft ryglænet op fra sædet og ud af badekarret.

6. Fold sædets sideklapper ind.



VIGTIGT!

– Løsn de to bageste sugekopper samtidig.

7. Løsn den bageste sugekop (A) ved at trække op i dens flig (B).
 8. Løft den bageste del af sædet yderligere. Derved løsnes de forreste sugekopper.



VIGTIGT!

– Hvis højdetilpasningsstykkerne er monteret (valgfri), skal du også trække i fligene til de forreste sugekopper for at løsne dem.

9. Løft sædet op ad badekarret.
 10. Opbevar alle delene til badekarsliften omhyggeligt.

6 Vedligeholdelse

6.1 Vedligeholdelse og serviceeftersyn

Hvis rengørings- og sikkerhedsvejledningen følges, vil produktet være vedligeholdelsesfrit.

! VIGTIGT!

Håndbetjeningen må kun åbnes af producenten af badekarsliften.

1. Efterse produktet jævnlige for skader og for at sikre, at det er forsvarligt monteret.
2. I tilfælde af skader og/eller nødvendige reparationer skal du omgående kontakte forhandleren.
3. Badekarsliften skal altid efterses af en autoriseret forhandler før genbrug. Det anbefales senest at efterse badekarsliften efter 24 måneder (i henhold til EN ISO 10535).
4. Hvis badekarsliften ikke har været brugt i længere tid, skal batteriet oplades helt, og badekarsliften skal hæves og sænkes tre gange uden belastning. Denne procedure skal gentages én gang hver tredje måned. Dette er med til at forlænge batteriets servicelevetid.

6.2 Rengøring og desinfektion

Produktet kan rengøres og desinficeres med almindeligt tilgængelige rengøringsmidler.

1. Produktet desinficeres ved at aftørre alle generelt tilgængelige overflader med desinficerende middel (hvis det er muligt, bør produktet adskilles først).

! VIGTIGT!

De anvendte rengørings- og desinfektionsmidler skal være effektive og kunne anvendes sammen, og de må ikke angribe de materialer, der rengøres.

- Læs mere om forurening i sundhedsmiljøer i retningslinjerne om infektionskontrol fra "The National Institute for Clinical Excellence" på www.nice.org.uk/CG139 samt de lokale retningslinjer for infektionskontrol.
- Rengør produktet jævnlige med håndkraft.
- Brug ikke slibende rengøringsmidler.

Rengøring af sædet og ryglænet



FORSIGTIG!

Fare for at få fingrene i klemme

– Vær særlig omhyggelig ved rengøring i området omkring løftesaksen, da den kan bevæge sig og medføre personskade.




VIGTIGT!

Risiko for beskadigelse

– Brug aldrig en højtryksrenser til rengøring af ryglænet.

1. Vask produktet med en klud eller en børste.
2. Skyl produktet med varmt vand.
3. Tør produktet med en klud.
4. Smør styreskinne til glideskoene (fig. 3.2, Ⓜ) let med vaseline.

Rengøring af polstringen (valgfrit)

 Det anbefales at vaske polstringen før første ibrugtagning. Af hygiejniske årsager anbefales det at vaske polstringen regelmæssigt og udskifte den en gang om året.

1. Knap polstringen af sædet og ryglænet.
2. Vask polstringen i vaskemaskinen ved maks. 60 °C med et mildt vaskemiddel.



VIGTIGT!

Risiko for beskadigelse

- Vask ved høje temperaturer kan medføre skader på eller krympning af betrækkene.
- Polstringen må ikke tørres i tørretumbler.

Rengøring af opladeren og håndbetjeningen



ADVARSEL!

Risiko for elektrisk stød

- Tag altid stikket ud af stikkontakten, før opladeren rengøres.
- Stik aldrig genstande, der er fremstillet af ledende materiale, f.eks. strikkepinde og metalstifter, ind i håndbetjeningens jack-hunстик.
- Brug aldrig en våd eller fugtig klud til rengøring af opladeren.

1. Aftør opladeren med en tør klud.
2. Aftør håndbetjeningen med en fugtig klud, og tør efter med en tør klud.

7 Efter brug

7.1 Opbevaring



VIGTIGT!

Risiko for produktskade

- Opbevar ikke produktet i nærheden af varmekilder.
- Udsæt ikke produktet for direkte sollys.
- Se forhold i forbindelse med opbevaring og transport i afsnittet *9.4 Miljøparametre, side 244*

7.2 Fornyet brug

Produktet er egnet til gentagen brug. Hvor mange gange, det kan bruges, afhænger af, hvor ofte og på hvilken måde produktet anvendes. Før gentagen brug bør produktet rengøres (→ *6.2 Rengøring og desinfektion, side 238*) og kontrolleres for at sikre, at det fungerer og er sikkert at anvende. Servicér om nødvendigt produktet.

7.3 Bortskaffelse

Bortskaffelse og genbrug af brugte produkter og brugt emballage skal ske i overensstemmelse med gældende lokale regler.



ADVARSEL!

- Håndbetjeningen må aldrig smides ind i ild og må ikke opbevares i nærheden af åben ild.

Dette produkt indeholder et genopladeligt litium-ion-batteri. Afladede batterier eller batterier, der ikke længere kan oplades, må ikke bortskaffes sammen med husholdningsaffald. Gamle batterier kan indeholde farlige stoffer, som kan skade miljøet og den offentlige sundhed.

Returner sådanne batterier til detailforhandleren eller til et kommunalt indsamlingssted. Det er gratis og lovpligtigt at returnere dem.

Brugte batterier skal smides i den medfølgende beholder, og terminalerne på litiumbatterier skal tildækkes.

Informationspligt i henhold til det tyske batteridirektiv BattG:

8 Fejlfinding

8.1 Fejlfinding og afhjælpning af fejl



Nedenstående skema indeholder oplysninger om fejl og deres mulige årsag. Hvis du ikke kan afhjælpe fejlen med de angivne forslag, skal du kontakte din forhandler direkte.

Fejl	Mulig årsag	Afhjælpning
Der høres ikke motorstøj/liften bevæger sig ikke.	Jack-hunstikket på håndbetjeningen er ikke gået korrekt i indgreb.	Tilslut jack-hunstikket, → 3.3 Opsætning af badekarsliften, side 228
	Batteriet er opbrugt.	Oplad batteriet helt, → 3.4 Opladning af batteriet, side 231
	Kontakterne er snavsede.	Rengør stikket på ryglænet, → kontakt om nødvendigt en forhandler.
	Kablet er knust/ødelagt.	Udskift håndbetjeningen, → kontakt om nødvendigt en forhandler.
Liften kan hæves men ikke sænkes.	Lavspændingsbeskyttelse er aktiveret.	Oplad batteriet helt, → 3.4 Opladning af batteriet, side 231
Liften stopper, mens den hæves.	Belastningen er for stor.	Kontrollér den maksimale belastning, → 9.1 Mål og vægt, side 243
Badekarsliften er ikke forsvarligt fastgjort i badekarret.	Sugekopperne er gamle eller beskadigede.	Udskift sugeskopperne, → kontakt om nødvendigt en forhandler.
Batteriet oplader ikke, og den røde indikatorlampe blinker under opladningen	Fejl i elektronikken.	Få en autoriseret forhandler til at tjekke håndbetjeningen.
	Defekt batteri.	Udskift håndbetjeningen.

Fejl	Mulig årsag	Afhjælpning
	Fejl i opladeren.	Få en autoriseret forhandler til at tjekke opladeren.
	Batteriet er for varmt.	Oplad ikke håndbetjeningen i nærheden af varmekilder, f.eks. varmeelementer eller direkte sollys. Opladningen fortsætter automatisk, når temperaturen er inden for de tilladte grænser.

9 Tekniske Data

9.1 Mål og vægt

Samlet længde ved laveste position	920 mm
Samlet længde ved højeste position	650 mm
Samlet højde ved højeste position	1075 mm
Sædelængde	590 mm
Sædebredde med sideklapperne foldet ud	715 mm
Sædebredde med sideklapperne foldet ind	390 mm
Sædehøjde ved laveste position	60 mm
Sædehøjde ved højeste position	420 mm
Ryglænets bredde	360 mm
Ryglænets minimumsvinkel	8°
Bundpladens bredde	295 mm
Maks. belastning (ORCA / ORCA F) Maks. belastning (ORCA XL)	140 kg 170 kg
Samlet vægt uden håndbetjening (ORCA) (ORCA F) (ORCA XL)	10,8 kg 11,4 kg 11,6 kg
Sædets vægt (ORCA) (ORCA F) (ORCA XL)	6,6 kg 7,2 kg 7,4 kg
Ryglænets vægt (ORCA / ORCA F / ORCA XL)	4,2 kg

Håndbetjeningens vægt	0,4 kg
Opladerens vægt	0,1 kg

9.2 Elektronikdata

Aktiveringskraft for knapperne på håndbetjeningen	< 5 N
Driftsspænding i håndbetjening ¹⁾	10,8 V DC/ 14 V DC
Nominel indgangseffekt ¹⁾	43 VA/56 VA
Mærkestrøm	4 A
Batteritype	Litium-ion
Indgangsspænding for oplader	100-240 V AC, 50-60 Hz
Udgangsspænding for oplader	24 V DC, 135 mA, 3 VA
Opladningstid fra advarsel om lav spænding	cirka 4,5 timer
Beskyttelsestype, drev	IP X6 W ²⁾
Beskyttelsestype, håndbetjening	IP 67 ³⁾
Beskyttelsestype, hele enheden	IP X6 ⁴⁾
Lydstyrkeniveau	52 dB(A)

Aktuatoren slukker ikke, når produktet er overbelastet. Undlad at overbelaste badekarsliften for at undgå skader.

¹⁾ 10,8 V DC/43 VA gyldig ved brug af håndbetjeningen med 10,8 V spænding, der er anført på bagsiden af

håndbetjeningen.

14 V DC/56 VA gyldig ved brug af håndbetjeningen med 14 V spænding, der er anført på bagsiden af håndbetjeningen.

2) Beskyttet mod indtrængen af vand i tilfælde af kraftige vandstråler, der er testet under fastlagte vejrforhold.

3) Støvtæt og beskyttet mod indtrængen af vand, mens produktet er midlertidigt nedsænket i vand.

4) Beskyttet mod indtrængen af vand i tilfælde af kraftige vandstråler.

9.3 Materialer

Ryglæn	PPGF
Sædeplade	PPGF
Polstring	PVC



Alle de anvendte materialer er rustbeskyttede og latexfrie.

9.4 Miljøparametre

Driftsforhold	
Omgivende temperatur	10-40 °C
Relativ luftfugtighed	15 %-93 %, ikke-kondenserende
Atmosfærisk tryk	795-1060 hPa
Forhold i forbindelse med opbevaring og transport	
Omgivende temperatur	0-40 °C

Relativ luftfugtighed	30 %-75 %, uden kondens
Atmosfærisk tryk	795-1060 hPa

10 Elektromagnetisk kompatibilitet (EMC)

10.1 Generelle oplysninger om elektromagnetisk kompatibilitet (EMC)

Elektromedicinsk udstyr skal installeres og anvendes i overensstemmelse med oplysningerne om elektromagnetisk kompatibilitet (EMC) i denne brugsanvisning.

Dette produkt er testet og fundet i overensstemmelse med de tilladte grænser for elektromagnetisk kompatibilitet i henhold til IEC/EN 60601-1-2 for klasse B udstyr.

Bærbart og mobilt RF-kommunikationsudstyr kan indvirke på produktets funktionsdygtighed.

Ved andre apparater kan der forekomme interferens selv fra de lave niveauer for elektromagnetiske emissioner, der er tilladt i henhold til ovennævnte standard. For at afgøre, om det er emissionen fra dette produkt, der forårsager interferensen, kan dette produkt startes og stoppes. Hvis interferensen med det andet udstyr ophører, er det dette produkt, der er årsag til interferensen. I sådanne sjældne tilfælde kan interferensen reduceres eller afhjælpes på følgende måde:

- Placér apparaterne anderledes, flyt dem, eller øg afstanden mellem dem.

10.2 Elektromagnetisk emission

Vejledning og producentens erklæring

Dette produkt er beregnet til brug i et elektromagnetisk miljø som angivet nedenfor. Kunden eller brugeren af dette produkt skal sørge for, at det anvendes i et sådant miljø.

Emissionstest	Overensstemmelse	Elektromagnetisk miljø - vejledning
RF-emissioner CISPR 11	Gruppe I	Dette produkt anvender udelukkende RF-energi til de interne funktioner. Dens RF-emissioner er derfor meget lave og burde ikke medføre interferens med andet elektronisk udstyr i nærheden.
RF-emissioner CISPR 11	Klasse Bation	Dette produkt er egnet til brug i alle bygninger, herunder private hjem og bygninger, der er tilsluttet det offentlige lavspændingsnetværk, som forsyner bygninger, der anvendes til bopælsformål.

Harmoniske emissioner IEC 61000-3-2	Klasse A	
Spændingsudsving/ flickeremissioner IEC 61000-3-3	Opfylder kravene	


10.3 Elektromagnetisk immunitet

Vejledning og producentens erklæring

Dette produkt er beregnet til brug i et elektromagnetisk miljø som angivet nedenfor. Kunden eller brugeren af dette produkt skal sørge for, at det anvendes i et sådant miljø.

Immunitetstest	Test-/overensstemmelsesniveau	Elektromagnetisk miljø – vejledning
Elektrostatisk udladning (ESD) IEC 61000-4-2	± 8 kV ved kontakt ± 2 kV, ± 4 kV, ± 8 kV, 15 kV via luft	Gulve skal være af træ, beton eller keramiske fliser. Hvis gulvene er belagt med syntetisk materiale, skal den relative luftfugtighed være mindst 30 %.
Hurtige elektriske overspændinger/ strømstød IEC 61000-4-4	± 2 kV for strømforsyningsledninger; 100 kHz repetitionsfrekvens ± 1 kV for indgangs-/udgangsledninger; 100 kHz repetitionsfrekvens	El-forsyning via el-nettet skal være af den kvalitet, som er normal i erhvervs- og hospitalsmiljø.

Immunitetstest	Test-/overensstemmelses-niveau	Elektromagnetisk miljø – vejledning
Overspænding IEC 61000-4-5	±1 kV ledning til ledning ±2 kV ledning til jordforbindelse	El-forsyning via el-nettet skal være af den kvalitet, som er normal i erhvervs- og hospitalsmiljø.
Spændingsfald, korte afbrydelser og spændingsudsving i strømforsynings-ledninger IEC 61000-4-11	< 0 % U_T i 0,5 cyklus i trin på 45° 0 % U_T i 1 cyklus 70 % U_T i 25/30 cyklusser < 5 % U_T i 250/300 cyklusser	El-forsyning via el-nettet skal være af den kvalitet, som er normal i erhvervs- og hospitalsmiljø. Hvis brugeren af dette produkt kræver uafbrudt brug under strømafbrydelser, anbefales det, at produktet tilsluttes en nødstrømsforsyning (UPS) eller et batteri. U_T er netspændingen før testniveauet.
Netfrekvensmagnetfelt (50/60 Hz) IEC 61000-4-8	30 A/m	Netfrekvensmagnetfeltet skal være på samme niveau som ved anvendelse i et typisk erhvervs- eller hospitalsmiljø.

Immunitetstest	Test-/overensstemmelsesniveau	Elektromagnetisk miljø – vejledning
Ledningsbåren RF IEC 61000-4-6	3 V 150 kHz til 80 Mhz 6 V på ISM- og amatørradiofrekvensbånd	Feltstyrker fra faste sendere som f.eks. stationer til mobil- og trådløse telefoner, mobilradioer, amatørradioer, AM- og FM-radioudsendelser og tv-udsendelser kan ikke forudsiges teoretisk med nøjagtighed. Hvis det elektromagnetiske miljø forårsaget af faste RF-sendere skal vurderes, anbefales det at få foretaget en elektromagnetisk måling på stedet. Hvis den målte feltstyrke på det sted, hvor dette produkt anvendes, overstiger det gældende RF-overensstemmelsesniveau, der er angivet ovenfor, bør dette produkt overvåges nøje for at kontrollere, at det fungerer normalt. Hvis produktet ikke fungerer normalt, bør der tages yderligere forholdsregler, f.eks. ved at flytte dette produkt eller vende det i en anden retning. Interferens kan forekomme i nærheden af udstyr, der er mærket med følgende symbol: 
Feltbåren RF IEC 61000-4-3	10 V/m 80 Mhz til 2,7 GHz Testspecifikationer på 385 MHz-5785 MHz vedrørende immunitet over for trådløst RF-kommunikationsudstyr kan ses i tabel 9 i IEC 60601-1-2:2014	Bærbart og mobilt RF-kommunikationsudstyr må ikke bruges tættere end 30 cm på nogen del af dette produkt, inklusive kabler.



Der kan forekomme situationer, hvor disse retningslinjer ikke gælder. Elektromagnetisk strålingsspredning påvirkes af absorption og refleksion fra bygninger, genstande og mennesker.

Innholdsfortegnelse

Denne veiledningen skal overleveres til sluttbrukeren. Les denne veiledningen FØR du bruker produktet, og behold den for fremtidig referanse.

1 Generell informasjon	.250
1.1 Innledning	.250
1.2 Symboler i denne bruksanvisningen	.250
1.3 Garanti	.250
1.4 Samsvar	.251
1.4.1 Produktspesifikke standarder	.251
1.5 Bruksområde	.251
1.6 Levetid	.251
2 Sikkerhet	.252
2.1 Sikkerhetsinformasjon	.252
2.2 Sikkerhetsinformasjon om elektromagnetisk kompatibilitet	.253
2.3 Merking og symboler på produktet	.253
3 Montering	.255
3.1 Sikkerhetsinformasjon	.255
3.2 Levert produkt	.255
3.3 Montere badekarheisen	.256
3.4 Lade batteriet	.259
4 Bruk	.261
4.1 Sikkerhetsinformasjon	.261
4.2 Styre badekarheisen	.261
4.3 Bading	.263
5 Transport	.264
5.1 Sikkerhetsinformasjon	.264
5.2 Ta ut badekarheisen	.264
6 Vedlikehold	.266
6.1 Vedlikehold og service	.266

6.2 Rengjøring og desinfisering	.266
7 Etter bruk	.268
7.1 Oppbevaring	.268
7.2 Gjenbruk	.268
7.3 Kasserings	.268
8 Feilsøking	.269
8.1 Avdekke og reparere feil	.269
9 Tekniske Data	.270
9.1 Dimensjoner og vekt	.270
9.2 Elektroniske data	.270
9.3 Materialer	.271
9.4 Miljøparametere	.271
10 Elektromagnetisk kompatibilitet	.272
10.1 Generell EMC-informasjon	.272
10.2 Elektromagnetisk utslipp	.272
10.3 Elektromagnetisk immunitet	.273

1 Generell informasjon

1.1 Innledning

Denne bruksanvisningen inneholder viktig informasjon om hvordan produktet håndteres. Les bruksanvisningen nøye, og følg sikkerhetsinstruksjonene i den, slik at du kan bruke produktet på en trygg måte.

Vær oppmerksom på at det kan være deler av denne bruksanvisningen som ikke er relevante for produktet ditt, ettersom håndboken gjelder for alle tilgjengelige modeller (på utskriftstidspunktet). Hvis ikke annet er angitt, henviser hvert avsnitt i denne håndboken til alle modeller av produktet.

Alle modeller og konfigurasjoner som er tilgjengelige for ditt land, står oppgitt i de landsspesifikke prislistene.

Invacare forbeholder seg retten til å endre produktspesifikasjoner uten forvarsel.

Før du leser denne håndboken, må du forsikre deg om at du har den nyeste versjonen. Du finner den nyeste versjonen som en PDF-fil på Invacare-nettstedet.

Hvis skriftstørrelsen i utskriftsversjonen av bruksanvisningen er vanskelig å lese, kan du laste ned PDF-versjonen fra nettstedet. Deretter kan du skalere PDF-en, slik at fontstørrelsen fungerer bedre for deg.

Kontakt Invacare-representanten for å få mer informasjon om produktet, for eksempel produktsikkerhetsmeldinger og tilbakekallinger. Se adresser på slutten av dette dokumentet.

1.2 Symboler i denne bruksanvisningen

Advarslene i denne bruksanvisningen er angitt med symboler. Advarselsymbolene ledsages av en overskrift som angir alvorlighetsgraden.



ADVARSEL

Angir en risikofylt situasjon som kan føre til alvorlig personskade eller død dersom den ikke unngås.



FORSIKTIG

Angir en risikofylt situasjon som kan føre til lettere personskade dersom den ikke unngås.



VIKTIG

Angir en risikofylt situasjon som kan føre til skade på materiell hvis den ikke unngås.



Tips og anbefalinger

Gir nyttige tips, anbefalinger og opplysninger når det gjelder effektiv og problemfri bruk.



Dette produktet er i samsvar med EU-direktivet 93/42/EØF om medisinsk utstyr. Lanseringsdatoen for dette produktet er oppgitt i CE-samsvarserklæringen.



Produsent.

1.3 Garanti

Vi tilbyr en produsentgaranti for produktet i samsvar med våre generelle forretningsvilkår i det aktuelle

landet. Garantikrav kan bare rettes gjennom den aktuelle leverandøren av produktet.

Trekk og sugekopper er utelukket fra denne garantien.

1.4 Samsvar

Kvalitet er avgjørende for virksomheten til selskapet, som arbeider innenfor fagområdene i ISO 13485.

Dette produktet er CE-merket i samsvar med EU-direktivet 93/42/EØF om medisinsk utstyr, klasse 1.

Vi arbeider kontinuerlig for å sikre at selskapets påvirkning på miljøet – både lokalt og globalt – reduseres til et minimum.

Vi bruker kun materialer og komponenter som er i samsvar med REACH-forskriften.

Vi overholder de gjeldende miljøregelverkene WEEE og RoHS.

1.4.1 Produktspesifikke standarder

Produktet oppfyller kravene i standarden ISO 10535 (heiser for forflytning av funksjonshemmede).

Dersom du ønsker ytterligere informasjon, kan du kontakte Invacare i landet ditt (adresser finner du på baksiden av dette dokumentet).

1.5 Bruksområde

En badekarheis gjør det mulig for brukeren å komme seg ned i og ut av badekaret. Den skal kun brukes som hjelpemiddel ved bading for personer med redusert førlighet. All annen bruk er forbudt.

Indikasjoner

- Betydelig nedsatt funksjon / manglende funksjon i lemmene på overkroppen og/eller underkroppen (f.eks. på grunn av amputasjon, lammelse, leddsykdommer, nevromuskulære sykdommer som svekker lemmene) som medfører at brukeren ikke lenger kan komme seg ned i eller opp av badekaret på egen hånd. Brukeren må allikevel ha tilstrekkelig kontroll over overkroppen og grunnleggende funksjonalitet i lemmene.
- Kroniske følger av sykdom med funksjonsbegrensninger som rammer lemmene på over- og/eller underkroppen og medfører at brukeren ikke lenger kan bade på egen hånd, eller der brukeren i stor grad kan bade på egen hånd ved hjelp av en badekarheis, mens andre hjelpemidler for bading ikke er tilstrekkelige.

Kontraindikasjoner

Ved riktig bruk finnes det ingen kontraindikasjoner.

1.6 Levetid

Produktets forventede levetid er fem år ved daglig bruk, gitt at produktet brukes i samsvar med sikkerhetsinstruksur, vedlikeholdsintervaller og informasjon om riktig bruk som er lagt frem i denne håndboken. Den faktiske levetiden varierer etter brukens hyppighet og intensitet.

2 Sikkerhet

2.1 Sikkerhetsinformasjon

**ADVARSEL!**

- Du må ikke bruke dette produktet eller annet tilgjengelig ekstrautstyr hvis du ikke først har lest og forstått disse instruksjonene og eventuelt tilleggsmateriale, for eksempel bruksanvisninger, servicehåndbøker eller instruksjonsdokumenter som følger med dette produktet eller ekstrautstyr. Veiledninger for Invacare-produkter er tilgjengelige på Internett eller fra din lokale forhandler (kontaktadresser står på baksiden av denne veiledningen).
- Hvis du har vanskeligheter med å forstå advarslene, forholdsreglene eller instruksjonene, må du ta kontakt med kvalifisert helsepersonell, en forhandler eller teknisk personell før du bruker dette utstyret. Hvis du ikke overholder dette, kan det oppstå personskade eller skade på utstyret.

**ADVARSEL!****Skaderisiko**

- Bruk ikke produktet hvis det er skadet.
- Dersom det oppstår en feil, må du kontakte en forhandler umiddelbart.
- Ikke utfør noen endringer på produktet uten tillatelse.
- Bruk bare reservedeler som er beregnet på dette produktet.

**ADVARSEL!****Skaderisiko**

- Stå aldri på badekarheisen når du skal opp i eller ut av badekaret. Ikke bruk den til å klatre opp eller ned, som løfteplattform eller til lignende formål.

**VIKTIG!**

Informasjonen i dette dokumentet kan endres uten varsel.

- Kontroller at INGEN av delene er skadet under frakt, og test utstyret før bruk.

2.2 Sikkerhetsinformasjon om elektromagnetisk kompatibilitet



ADVARSEL!

Risiko for funksjonssvikt på grunn av elektromagnetisk forstyrrelse

Elektromagnetisk forstyrrelse mellom dette produktet og annet elektrisk utstyr kan oppstå og forstyrre de elektriske justeringsfunksjonene for dette produktet. For å forhindre, redusere eller eliminere slik elektromagnetisk forstyrrelse:

- Bruk bare originalkabler, -tilbehør og -reservedeler for at elektromagnetisk utslipp ikke skal økes eller redusere dette produktets elektromagnetiske immunitet.
- Ikke bruk bærbart, radiofrekvent (RF) kommunikasjonsutstyr nærmere enn 30 cm fra noen del av dette produktet (inkludert kabler).
- Ikke bruk dette produktet i nærheten av høyfrekvent kirurgisk utstyr og RF-skjermet rom i et system for magnetisk resonansavbildning der det er høy intensitet i elektromagnetiske forstyrrelser.
- Hvis det skjer forstyrrelser, øk avstanden mellom dette produktet og annet utstyr eller slå det av.
- Se den detaljerte informasjonen og følg veiledningen i kapittel 10 *Elektromagnetisk kompatibilitet*, side 272



ADVARSEL!

Fare for feilfunksjon

Elektromagnetisk interferens kan forårsake feil drift.

- Ikke bruk dette produktet ved siden av eller stablet med annet elektrisk utstyr. Hvis slik bruk er nødvendig, må dette produktet og annet utstyr observeres nøye for å kontrollere at de fungerer som de skal.

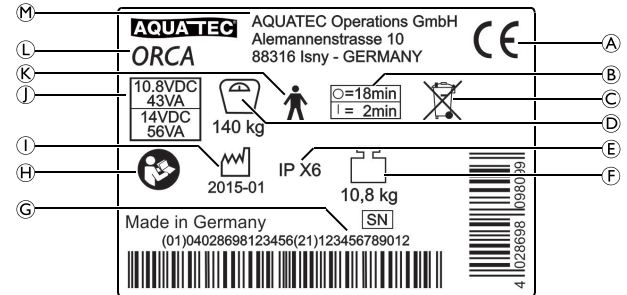


Vi er ikke klar over noen risikoer forbundet med bruk av produkter som hjertepacemaker.

2.3 Merking og symboler på produktet

Identifikasjonsmerke

Identifikasjonsmerket inneholder viktig informasjon:



Ⓐ	Samsvarsmerke
Ⓑ	Bruksintervall (kontinuerlig drift av motoren er ikke tillatt): maks 2 minutter kontinuerlig bruk etterfulgt av en 18 minutters pause
Ⓒ	Merknad (kassering)
Ⓓ	Maksimal brukervekt
Ⓔ	Beskyttelsestype
Ⓕ	Produktvekt
Ⓖ	Serienummer
Ⓗ	Les bruksanvisningen
Ⓘ	Produksjonsdato
Ⓝ	Nominell spenning / nominell effekt, se 9.2 <i>Elektroniske data, side 270</i>
Ⓚ	Type B-kontakt del
Ⓛ	Produktnavn
Ⓜ	Produsent



Identifikasjonsmerket befinner seg på baksiden av rygglenet.

3 Montering

3.1 Sikkerhetsinformasjon



VIKTIG!

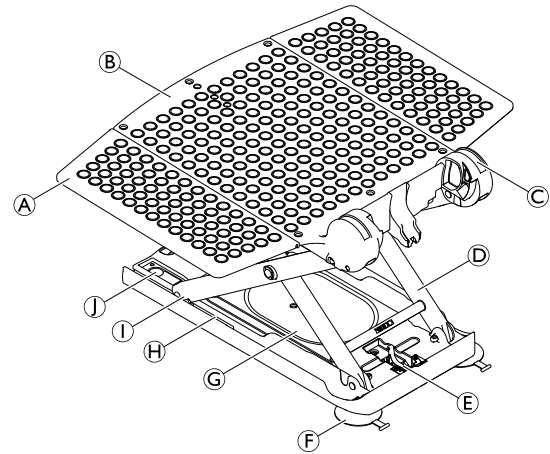
- Før du tar i bruk produktet, må du kontrollere at delene ikke har blitt skadet under transport. Kontakt om nødvendig forhandleren.
- Sørg for at dusj- og toalettstolens enkelte deler settes sammen på korrekt måte.
- Vi anbefaler at trekk vaskes før de tas i bruk første gang, se kapittel 6.2 *Rengjøring og desinfisering, side 266*

3.2 Levert produkt

Denne bruksanvisningen gjelder for modellene ORCA, ORCA F og ORCA XL. Disse modellene varierer når det gjelder vekt og maksimal brukervekt. Se avsnitt 9.1 *Dimensjoner og vekt, side 270* Setetrekk og ryggtrekk er ekstrautstyr som kan kjøpes separat til alle de tre modellene. Rygglenet kan ikke senkes på modell ORCA F.

Følgende komponenter er inkludert i leveringen:

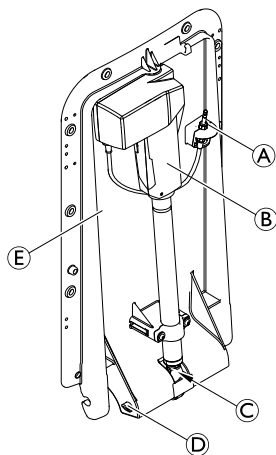
Sete



(A)	Sideklaff
(B)	Seteplate
(C)	Hengsel for rygglen
(D)	Løftearm
(E)	Spindelfotholder
(F)	Bakre sugekopper (to klaffer og én gjenget tapp)
(G)	Bunnplate
(H)	Føringselement for glider

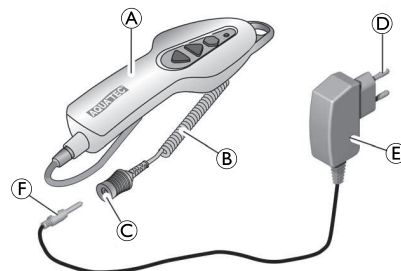
①	Glider
①	Fremre sugekopper (én klaff med hode)

Ryggene



Ⓐ	Plugg
Ⓑ	Motor
Ⓒ	Spindelfot
Ⓓ	Låsepinne
Ⓔ	Plate, ryggene

Håndkontroll og lader



Ⓐ	Håndkontroll med batteri
Ⓑ	Spiralkabel for håndkontroll
Ⓒ	Kontakt for håndkontroll
Ⓓ	Strømplugg
Ⓔ	Lader
Ⓕ	Plugg for lader

3.3 Montere badekarheisen



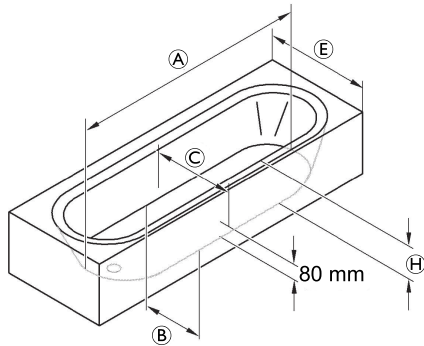
ADVARSEL! Sklifare

Badekarheisen kan skli dersom sugekoppene ikke har godt nok grep.

- Rengjør badekaret og sugekoppene med en fuktig klut før du monterer badekarheisen.
- Flytt ikke på badekarheisen når den er montert i badekaret.

**ADVARSEL!****Fare for personskade og skade på utstyr!**

- Badekarheisen må bare monteres i badekar som samsvarer med spesifikasjonene i tabellen nedenfor.
- Hvis badekaret er utstyrt med en overløpsventil på siden, brukes spesialsideklaffene (tilgjengelige som ekstrautstyr).

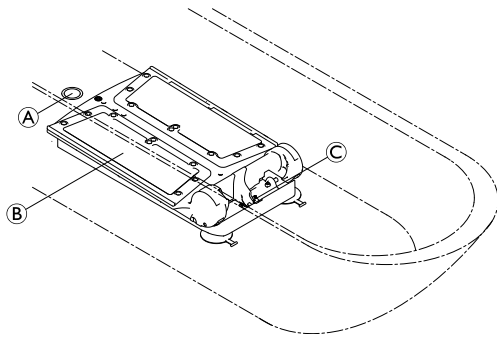


Ⓐ	Badekarlengde, bunn	≥ 800 mm
Ⓑ	Badekarbredde, (innvendig)	≥ 280 mm
Ⓒ	Badekarbredde, ved 80 mm høyde (innvendig)	≥ 430 mm

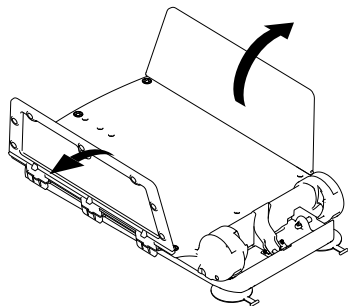
Ⓔ	Badekarbredde, (utvendig)	580–690 mm (med spesielle sideklaffer) 700–740 mm (med standard sideklaffer) 750–1000 mm (med spesielle sideklaffer)
Ⓕ	Badekarhøyde, (innvendig)	≤ 420 mm (med høydeadapter, maks + 60 mm)

**VIKTIG!**

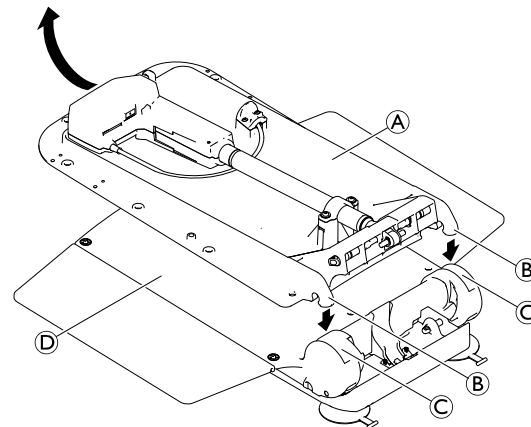
- Sørg for at sugekoppene monteres riktig.
- Sørg for at batteriet i håndkontrollen er ladet.
- Sørg for at spindelfoten er satt helt inn.
- Når badekarheisens komponenter løftes, må du huske å vurdere vekten korrekt. Se avsnitt 9.1 *Dimensjoner og vekt, side 270*
- Hvis en håndtakstøtte er montert på innsiden av badekaret, bruker du sideklaffavlederne (tilgjengelig som ekstrautstyr).
- Brett sideklaffene utover før du folder opp rygglenet.



1. Plasser setet ② på bunnen av det tomme badekaret. Kontroller at spindelfotholderen ③ peker mot den enden av badekaret som vender bort fra utløpet ①.



2. Brett sideklaffene på setet utover.



3. Plasser rygglenet ① (uten håndkontrollen) på setet slik at krokene ② på rygglenet passer inn i hengslene ③ på seteplaten ④.

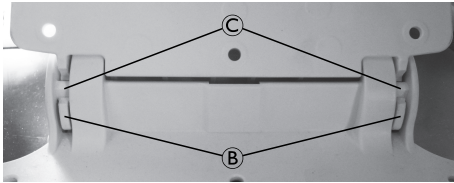


VIKTIG!

Fare for skade

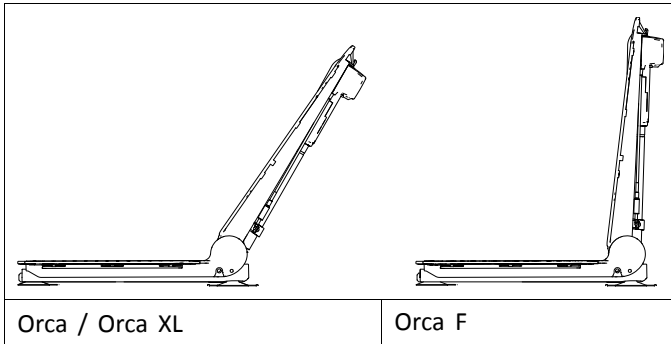
Dersom spindelfoten glir ut, kan det oppstå skade på produktet.

- Sørg for at spindelen er fullstendig trukket tilbake og at spindelfoten er i flukt og ikke vridd, før du folder opp rygglenet.
- Når rygglenet er rettet opp, må du kontrollere at spindelfoten står i spindelfotholderen.

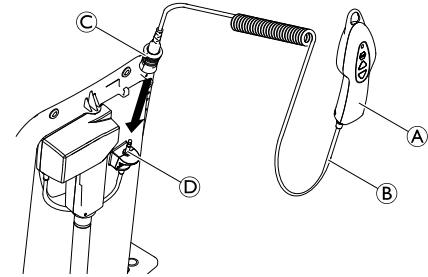
**VIKTIG!****Fare for skade**

Skader på produktet på grunn av feil montering av rygglenet.

- Sørg for at begge krokene B på rygglenet aktiveres i hengslene C på seteplaten.
- Sørg for at rygglenet er rettet opp til endestillingen uten å bruke makt og med betydelig motstand. Endestillingen vises på følgende bilde.



4. Hold rygglenet midt på hodeenden og fold det forsiktig opp til sluttposisjonen.



5. Koble kontakten med låsehylsen C på spiralkabelen B for håndkontrollen A til pluggen D til du merker at låsemekanismen aktiveres.

**VIKTIG!****Fare for skade**

- Sørg for at rygglenet ikke berører kanten på badekaret.
- Plasser om nødvendig badekarheisen lenger fram i badekaret. Hvis du vil plassere badekarheisen lenger fram i badekaret, senker du badekarheisen til bunnen, løsner sugekoppene og flytter deretter badekarheisen.

3.4 Lade batteriet

Badekarheisen kan ikke brukes mens batteriet lades opp.



ADVARSEL!

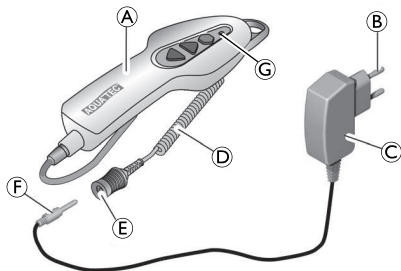
Fare for elektrisk sjokk

- Batteriet skal kun lades i tørre omgivelser ved romtemperatur (15 °C til 25 °C) og aldri på badet.



VIKTIG!

- Bruk bare den medfølgende laderen til å lade batteriet i håndkontrollen.
- Laderen skal bare kobles til strømforsyningen når håndkontrollen er koblet til laderen.
- Kontroller at spenningsspesifikasjonene angitt på laderen samsvarer med nettspenningen.



1. Sett pluggen (F) til laderen (C) inn i kontakten (E) på spiralkabelen (D) for håndkontrollen (A) til den aktiveres på plass.
2. Sett laderens støpsel (B) inn i en stikkontakt.



Den røde indikatorlampen (G) på håndkontrollen slokkes når batteriet er fulladet. Pass på at batteriet ikke overlades.

3. Koble laderen fra stikkontakten.
4. Trekk pluggen til laderen ut av kontakten på håndkontrollen.

4 Bruk

4.1 Sikkerhetsinformasjon



FORSIKTIG!

Hvis badekarløfteren overbelastes, kan dette forårsake skade på enheten eller forhindre løfting.

- Påse at badekarløfteren ikke overbelastes, og ta hensyn til spesifikasjonene på identifikasjonsetiketten og i kapittel 9.1 *Dimensjoner og vekt, side 270* når det gjelder lastekapasitet.



FORSIKTIG!

Klemfare

- Ikke plasser fingrene i føringen mellom seteplaten og ryggstøtten.
- Ikke stikk hendene inn under seteplaten eller inn i løftemekanismen.



VIKTIG!

Fukt kan trenge inn i en skadet håndkontroll, noe som kan føre til kortslutning og brann.

- Før du bruker dusj- og toalettstolen, må du alltid sjekke at den ikke har skader.
- Hvis huset til håndkontrollen er skadet eller har sprekker, må du ikke bruke håndkontrollen.
- Lad batteriet helt opp før hver gangs bruk, 3.4 *Lade batteriet, side 259*

1. Se driftsforhold i avsnittet 9.4 *Miljøparametere, side 271*

4.2 Styre badekarheisen

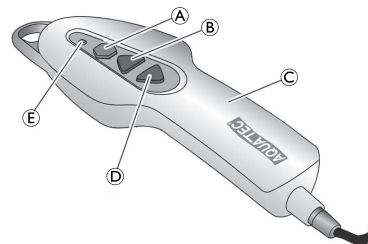
Badekarheisen kan beveges i følgende retninger:



Badekarheisen styres via håndkontrollen, enten av brukeren eller av en assistent.



Med et fulladet batteri kan ORCA og ORCA F utføre 5 badeoperasjoner med en belastning på 140 kg. ORCA XL kan utføre 4 badeoperasjoner med en belastning på 170 kg.



VIKTIG!

Fare for skade

- Håndkontrollen må kun brukes når rygglenet er korrekt montert og i opprett stilling.



VIKTIG!

Hvis batteriet i håndkontrollen © ikke er tilstrekkelig ladet, lyser den røde indikatorlampen ☉ rødt når Ned-knappen Ⓧ trykkes inn. I et slikt tilfelle vil badekarheisens senkeposisjon være deaktivert. Du kan imidlertid fremdeles heve heisen.

– Lad opp batteriet umiddelbart etter at du har hevet badekarheisen.

Heve badekarheisen



VIKTIG!

Dersom rygglenet senkes, vil det først bevege seg i opprett stilling (ikke på modell ORCA F).

1. Trykk på Opp-knappen Ⓟ på håndkontrollen og hold den trykket inn.
Rygglenet beveger seg til opprett stilling, eller setet beveger seg oppover.
2. Slipp opp Opp-knappen på håndkontrollen.
Badekarheisen stopper i den stillingen den er kommet i.

Senke badekarheisen



VIKTIG!

Hvis setet allerede er senket, senkes rygglenet bakover (ikke på modell ORCA F).

1. Trykk inn Ned-knappen Ⓧ på håndkontrollen og hold den inne.
Setet beveger seg nedover, eller rygglenet vipper bakover.
2. Slipp opp Ned-knappen på håndkontrollen.
Badekarheisen stopper i den stillingen den er kommet i.

Nødstoppknapp



VIKTIG!

Nødstoppknappen Ⓛ skal bare trykkes inn hvis enheten ikke stopper umiddelbart når Opp- eller Ned-knappen slippes opp (f.eks. hvis en knapp setter seg fast). Badekarheisbevegelsen stoppes øyeblikkelig, og den røde lampen i håndkontrollen begynner å lyse.

Hvis den røde indikatorlampen slukkes etter at nødstoppknappen har blitt sluppet opp, har feilen blitt rettet (en knapp sitter f.eks. ikke lenger fast). Enheten er klar til bruk igjen.

Hvis den røde indikatorlampen fortsetter å lyse etter at nødstoppknappen har blitt sluppet opp, har feilen ikke blitt rettet. Enheten er ikke klar til bruk og må repareres, f.eks. grunnet skade på elektronikken.



Kontakt om nødvendig teknikeren.

4.3 Bading



ADVARSEL! Sklifare

Badekarheisen kan skli dersom sugekoppene ikke har godt nok grep.

- Kontroller at badekarheisen står trygt og ikke kan velte, før du bruker den.
- Sørg for at badekarheisen monteres i badekaret, → 3.3 Montere badekarheisen, side 256



ADVARSEL!

- Dersom tilstanden din er slik at du ikke kan bade på egen hånd, må du kun bruke heisen under tilsyn.
- Hvis du bruker enheten uten tilsyn, må du sørge for å ha et alarmsystem eller en telefon innen rekkevidde i tilfelle noe uforutsett skulle skje (f.eks. at utstyret svikter).



FORSIKTIG!

Badeoljer eller -salter kan påvirke glidefunksjonen til løftearmene.

- Dersom du bruker slik badeprodukter, må du ikke overstige den anbefalte dosen.



VIKTIG!

- Kjør heisen én gang helt opp og deretter helt tilbake til bunnen (funksjonstest).
- Kontroller temperaturen i badevannet før du bruker badekarheisen.

1. Trykk på og hold inne Opp-knappen **Ⓑ** frem til setet er i flukt med kanten på badekaret.
2. Pass på at sideklaffene er i flukt med setet og hvileflaten på kanten av badekaret.
3. Fyll badekaret med vann.
4. Sitt på sideklaffen nærmest deg som du hadde sittet på en stol.
5. Skyv deg bakover til du sitter midt på setet.
6. Snu deg i badestilling ved å løfte først den ene foten og deretter den andre foten over kanten på badekaret.
7. Når du sitter slik du skal, trykker du på og holder inne Ned-knappen **Ⓓ** for å senke setet ned i badekaret.



Når setet har nådd nederste stilling, kan du legge rygglenet bakover ved å fortsette å holde inne Ned-knappen **Ⓓ**. Dette gir en mer komfortabel badeposisjon og gjør at du kan senke deg dypere i badevannet (ikke på modellen ORCA F).

8. Hold Ned-knappen trykket inn frem til rygglenet har nådd ønsket posisjon.



Når du skal ut av badekaret, følger du disse trinnene i omvendt rekkefølge.

9. Hvis du vil heve rygglenet eller badekarheisen, trykker du på og holder nede Opp-knappen **Ⓑ** til setet er på samme nivå som badekarets kant.



VIKTIG!

- Koble håndkontrollen fra enheten når badekarheisen ikke er i bruk, se avsnittet 5.2 *Ta ut badekarheisen, side 264* trinn 3.

5 Transport

5.1 Sikkerhetsinformasjon



FORSIKTIG!

Rygglenet er ikke låst til setet når det er foldet, og kan løsne.

- Fjern ikke sugekoppene under transport av badekarheisen.
- Fjern håndkontrollen fra rygglenet for transport.
- Se betingelsene for oppbevaring og transport i avsnittet 9.4 Miljøparametere, side 271

1. Fjern håndkontrollen.
2. Demonter badekarheisen i to deler for transport (sete og rygglene), → 5.2 Ta ut badekarheisen, side 264

5.2 Ta ut badekarheisen

1. La vannet renne ut av badekaret.
2. Senk badekarheisen med Ned-knappen til rygglenet stopper i den nedsenkede sluttposisjonen, → 4.2 Styre badekarheisen, side 261

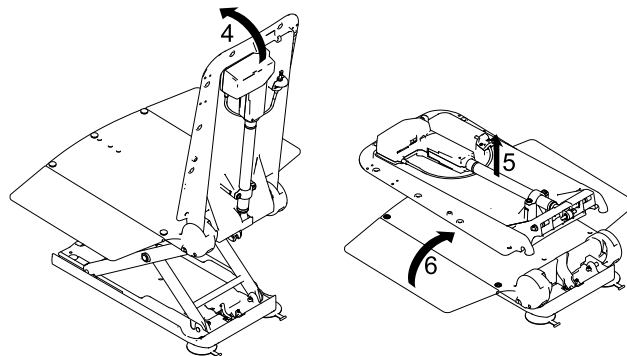
3. Lås opp kontakten på spiralkabelen for håndkontrollen ved å skyve opp låsehylsen og trekke den av pluggen.



VIKTIG!

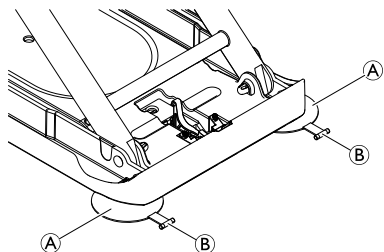
Fare for skade

- Når du legger ned rygglenet, må du kontrollere at spiralkabelen for håndkontrollen ikke kommer i klem.
- Legg ikke ned rygglenet hvis det er vann i badekaret.



4. Hold rygglenet i toppenden med én hånd og fold det fremover til sluttposisjonen.
5. Løft rygglenet oppover fra setet og ut av badekaret.

6. Brett sideklaffene på setet innover.

**VIKTIG!**

– Frigjør begge sugekoppene samtidig.

7. Frigjør den bakre sugekoppen Ⓐ ved å trekke den opp etter klaffen Ⓑ.
8. Fortsett å løfte bakenden på setet. Dette frigjør de fremre sugekoppene.

**VIKTIG!**

– Dersom det er montert høydeadaptore (ekstrautstyr), må du også trekke i klaffene til de fremre sugekoppene for å frigjøre dem.

9. Løft setet ut av badekaret.
10. Legg forsiktig alle badekarheisens deler til oppbevaring.

6 Vedlikehold

6.1 Vedlikehold og service

Hvis man overholder rådene som er gitt for pleie og vedlikehold, vil produktet være vedlikeholdsfritt.

! VIKTIG!

Håndkontrollen kan bare åpnes av produsenten av badekarheisen.

1. Kontroller regelmessig at produktet er uten skader, og at alle deler er festet slik de skal.
2. Dersom det oppstår skader eller reparasjonsbehov, må du kontakte leverandøren umiddelbart.
3. Badekarheisen skal kontrolleres av en autorisert leverandør før den går over til en ny bruker. Vi anbefaler at badekarheisen kontrolleres når det har gått senest 24 måneder (i samsvar med EN ISO 10535).
4. Dersom badekarheisen står ubrukt en lengre periode, må batteriet lades helt opp, og badekarheisen må heves og senkes 3 ganger uten last. Gjenta denne prosedyren hver 3. måned. Denne prosedyren bidrar til å opprettholde batteriets levetid.

6.2 Rengjøring og desinfisering

Produktet kan rengjøres og desinfiseres ved hjelp av kommersielt tilgjengelige rengjørings- og desinfeksjonsmidler.

1. Desinfiser produktet ved å tørke over alle tilgjengelige overflater med et desinfeksjonsmiddel (fortrinnsvis etter at produktet har blitt demontert).

! VIKTIG!

Alle rengjørings- og desinfeksjonsmidler må være av god kvalitet og kompatible med hverandre. I tillegg må de beskytte materialene de skal rengjøre.

- Når det gjelder kontakttid og konsentrasjon kan du se listen over desinfeksjonsmidler som er utgitt av Statens legemiddelverk (<https://legemiddelverket.no/bivirkninger-og-sikkerhet/rad-til-helsepersonell/bruk-av-desinfeksjonsmidler>).
- Rengjør produktet regelmessig for hånd.
- Ikke bruk slipende rengjøringsmidler.

Rengjøre setet og rygglenet



FORSIKTIG!

Klemfare for fingre

- Vær særlig forsiktig når du rengjør i området rundt løftearmene, da disse kan bevege seg og forårsake skade.


! VIKTIG!

Fare for skade

- Bruk aldri en høytrykksvasker til å rengjøre rygglenet.

1. Vask produktet med en klut eller en børste.
2. Skyll produktet med varmt vann.
3. Tørk produktet med en klut.
4. Smør glideskinnene for glideskoene (fig. kap. 3.2, Ⓜ) lett med vaselin.

Rengjøre trekk (ekstrautstyr)

 Vi anbefaler at trekk vaskes før de tas i bruk første gang. Av hygieniske grunner anbefaler vi at trekkene rengjøres regelmessig, og at de skiftes ut hvert år.

1. Knapp opp trekket på setet og rygglenet.
2. Vask trekkene i vaskemaskin ved maks. 60 °C med et mildt vaskemiddel.



VIKTIG!

Fare for skade

- Vask ved høye temperaturer kan forårsake skader på eller krymping av trekkene.
- Tørk ikke trekk i tørketromler.

Rengjøre lader og håndkontroll



ADVARSEL!

Fare for elektrisk sjokk

- Koble alltid laderen fra stikkkontakten før du rengjør den.
- Stikk aldri gjenstander som består av ledende materialer (f.eks. strikkepinner eller metallstifter), inn i kontakten på håndkontrollen.
- Bruk aldri en våt eller fuktig klut til å rengjøre laderen.

1. Tørk av laderen med en tørr klut.
2. Tørk av håndkontrollen med en fuktig klut, og tørk den med en tørr klut.

7 Etter bruk

7.1 Oppbevaring



VIKTIG!

Fare for skade

- Ikke lagre produktet i nærheten av varmekilder.
- Ikke utsett produktet for direkte sollys.
- Se betingelsene for oppbevaring og transport i avsnittet *9.4 Miljøparametere, side 271*

7.2 Gjenbruk

Produktet er egnet for gjenbruk. Hvor mange ganger det kan brukes, avhenger av hvor ofte og på hvilken måte produktet blir brukt. Før gjenbruk må produktet gjennomgå en hygienisk klargjøring (→ *6.2 Rengjøring og desinfisering, side 266*) og det må kontrolleres for å sikre at det fungerer på en sikker og riktig måte. Reparer produktet hvis det er nødvendig.

7.3 Kassering

Kassering og resirkulering av brukte produkter må foregå i samsvar med gjeldende lokale forskrifter.



ADVARSEL!

- Håndkontrollen må aldri kastes i eller oppbevares i nærheten av åpen ild.

Informasjonsplikt i henhold til den tyske batteriforskriften, BattG:

Dette utstyret inneholder et oppladbart litiumionbatteri. Utladde batterier eller batterier som ikke lenger kan lades opp, må ikke kasseres i husholdningsavfall. Gamle batterier inneholder farlige stoffer som kan utgjøre en fare for miljøet og for befolkningshelsen.

Lever slike batterier tilbake til leverandøren eller til den kommunale gjenvinningsstasjonen. Innlevering av batterier er gratis samt lovpålagt.

Kast bare utladde batterier i de aktuelle innsamlingsbeholderne og dekk polene til litiumbatterier.

8 Feilsøking

8.1 Avdekke og reparere feil



Tabellen nedenfor gir opplysninger om feil og mulige årsaker. Hvis du ikke kan rette opp feilen ved hjelp av tipsene som er angitt, må du kontakte en leverandør.

Feil	Mulig årsak	Løsning
Ingen hørbar motorlyd / heisen beveger seg ikke.	Kontakten på håndkontrollen er ikke koblet til riktig.	Koble til kontakten slik at den aktiveres, → 3.3 <i>Montere badekarheisen, side 256</i>
	Batteriet er utladet.	Lad opp batteriet fullstendig, → 3.4 <i>Lade batteriet, side 259</i>
	Kontaktene er skitne.	Rengjør rygglenets støpsel, → kontakt om nødvendig leverandøren.
	Kabel er i klem / skadet.	Bytt ut håndkontrollen, → kontakt om nødvendig leverandøren.
Heisen kan heves, men ikke senkes.	Lavspenningsbeskyttelsen er aktivert.	Lad opp batteriet fullstendig, → 3.4 <i>Lade batteriet, side 259</i>
Heisen stanser under heving.	For høy belastning.	Overhold maksimumsbelastningen, → 9.1 <i>Dimensjoner og vekt, side 270</i>
Badekarheisen fester seg ikke godt til badekaret.	Sugekoppene er gamle eller skadet.	Bytt ut sugekoppene, → kontakt om nødvendig leverandøren.
Batteriet lades ikke, og den røde indikatorlampen blinker under lading	Feil med elektronikken.	Få en autorisert leverandør til å kontrollere håndkontrollen.
	Feil på batteriet.	Bytt ut håndkontrollen.
	Feil med laderen.	Få en autorisert leverandør til å kontrollere laderen.
	Batteriet er for varmt.	Lad ikke opp håndkontrollen nær varmekilder, f.eks. varmeelementer eller i direkte sollys. Ladingen fortsetter automatisk når temperaturen synker til de tillatte grensene.

9 Tekniske Data

9.1 Dimensjoner og vekt

Total lengde i laveste stilling	920 mm
Total lengde i høyeste stilling	650 mm
Total høyde i høyeste stilling	1075 mm
Lengde sete	590 mm
Bredde sete ved utslåtte sideklaffer	715 mm
Bredde sete med innslåtte seteklaffer	390 mm
Setehøyde i laveste stilling	60 mm
Setehøyde i høyeste stilling	420 mm
Bredde ryggstøtte	360 mm
Minste vinkel på ryggstøtte	8°
Bredde grunnplate	295 mm
Maks. belastning (ORCA / ORCA F) Maks. belastning (ORCA XL)	140 kg 170 kg
Total vekt uten manuell betjeningsenhet (ORCA) (ORCA F) (ORCA XL)	10,8 kg 11,4 kg 11,6 kg
Vekt sete (ORCA) (ORCA F) (ORCA XL)	6,6 kg 7,2 kg 7,4 kg

Vekt ryggstøtte (ORCA / ORCA F / ORCA XL)	4,2 kg
Vekt manuell betjeningsenhet	0,4 kg
Vekt lader	0,1 kg

9.2 Elektroniske data

Aktiveringskraft for knappene på håndkontrollen	< 5 N
Driftsspenning for håndkontrollen ¹⁾	10,8 V DC / 14 V DC
Nominell inngangseffekt ¹⁾	43 VA / 56 VA
Merkestrøm	4 A
Batteritype	Litiumion
Inngangsstrøm, lader	100–240 V AC, 50–60 Hz
Utgangsstrøm, lader	24 V DC, 135 mA, 3 VA
Ladetid fra varsel om lav spenning	ca. 4,5 t
Type beskyttelse, motor	IP X6 W ²⁾
Type beskyttelse, håndkontroll	IP 67 ³⁾
Type beskyttelse, hele enheten	IP X6 ⁴⁾
Lydnivå	52 dB (A)

Løftmotoren slås ikke av når produktet er overbelastet. Ikke overbelast badekarheisen, for å unngå skader.

¹⁾ 10,8 V DC / 43 VA er gyldig ved bruk av håndkontroller med spenning på 10,8 V, angitt på baksiden av håndkontrollen. 14 V DC / 56 VA er ved bruk av håndkontroller med spenning på 14 V, angitt på baksiden av håndkontrollen.

²⁾ Beskyttet mot vanninntrengning ved sterke vannstråler, testet under fastsatte værforhold.

³⁾ Støvtett og beskyttet mot inntrenging av vann under midlertidig nedsenking.

⁴⁾ Beskyttet mot vanninntrengning ved kraftige vannstråler.

9.3 Materialer

Ryggene	Glassfiberarmert polypropylen
Seteplate	Glassfiberarmert polypropylen
Trekk	PVC



Alle materialer som benyttes, er korrosjonsbestandige og lateksfrie.

9.4 Miljøparametere

Driftsforhold	
Omgivelsestemperatur	10–40 °C
Relativ luftfuktighet	15–93 %, ikke-kondenserende

Atmosfærisk trykk	795–1060 hPa
Forhold under oppbevaring og transport	
Omgivelsestemperatur	0–40 °C
Relativ luftfuktighet	30–75 %, ikke-kondenserende
Atmosfærisk trykk	795–1060 hPa

10 Elektromagnetisk kompatibilitet

10.1 Generell EMC-informasjon

Medisinsk elektrisk utstyr skal installeres og brukes i samsvar med EMC-opplysningene i denne bruksanvisningen.

Dette produktet er testet og overholder EMC-begrensninger som spesifisert i IEC/EN 60601-1-2 for klasse B-utstyr.

Bærbart og mobilt RF-kommunikasjonsutstyr kan påvirke funksjonen til dette produktet.

Andre apparater kan oppleve interferens selv ved de svake nivåene av elektromagnetisk stråling som er tillatt i samsvar med standarden nevnt ovenfor. For å påvise om utslippet fra dette produktet forårsaker forstyrrelsen, kjør og slå av produktet. Hvis forstyrrelsen ved den andre enheten opphører, er det dette produktet som forårsaker forstyrrelsen. I slike sjeldne tilfeller kan du redusere eller korrigere interferens på følgende måte:

- Snu eller flytt apparatene, eller øk avstanden mellom dem.

10.2 Elektromagnetisk utslipp

Veiledning og produsentens erklæring

Dette produktet er beregnet for bruk i et elektromagnetisk miljø som angitt nedenfor. Kunden eller brukeren av dette produktet må sikre at systemet brukes i en slik omgivelse.

Strålingstest	Samsvar	Elektromagnetisk miljø – rettledning
RF-stråling CISPR 11	Gruppe I	Dette produktet bruker RF-energi bare for sin interne funksjon. RF-utstrålingen er derfor svært lav, og det er usannsynlig at den vil forårsake interferens i elektronisk utstyr i nærheten.
RF-stråling CISPR 11	Klasse B	Dette produktet er egnet til bruk i alle sammenhenger, inkludert private husholdninger og de som er direkte knyttet til det offentlige lavspenningsnettet som leverer til bygninger som brukes til husholdsbruk.


Harmonisk utstråling IEC 61000-3-2	Klasse A	
Spennings-svingninger/ flimmerstråling IEC 61000-3-3	Overholder	

10.3 Elektromagnetisk immunitet

Veiledning og produsentens erklæring

Dette produktet er beregnet for bruk i et elektromagnetisk miljø som angitt nedenfor. Kunden eller brukeren av dette produktet må sikre at systemet brukes i en slik omgivelse.

Immunitetstest	Test / samsvarsnivå	Elektromagnetisk miljø - veiledning
Elektrostatisk utladning (ESD) IEC 61000-4-2	± 8 kV-kontakt ± 2 kV, ± 4 kV, ± 8 kV, 15 kV luft	Gulvet bør være av tre, betong eller belagt med keramiske fliser. Hvis gulvet er dekket med syntetiske materialer, bør den relative luftfuktigheten være på minst 30 %.
Elektrostatisk rask transient / puls IEC 61000-4-4	± 2 kV for strømforsyningslinjer; 100 kHz repetisjonsfrekvens ± 1 kV for inngangs/utgangslinjer; 100 kHz repetisjonsfrekvens	Kvaliteten på nettstrømmen skal tilsvare et typisk bedrifts- eller sykehusmiljø.
Overspenning IEC 61000-4-5	± 1 kV linje til linje ± 2 kV linje til jord	Kvaliteten på nettstrømmen skal tilsvare et typisk bedrifts- eller sykehusmiljø.

Immunitetstest	Test / samsvarsnivå	Elektromagnetisk miljø - veiledning
Spenningsfall, korte avbrudd og spenningsvingninger i strømforsyningens inngangslinjer IEC 61000-4-11	$< 0\% U_T$ i 0,5 syklus i trinn på 45° $0\% U_T$ i 1 syklus $70\% U_T$ i 25 / 30 sykluser $< 5\% U_T$ i 250 / 300 sykluser	Kvaliteten på nettstrømmen skal tilsvare et typisk bedrifts- eller sykehusmiljø. Dersom brukeren av dette produktet krever uavbrutt drift ved strømbrudd, anbefales det at produktet får strøm fra en avbruddsfri strømkilde eller et batteri. U_T er vekselstrømspenningen før anvendelse av testnivået.
Strømfrekvensens (50/60 Hz) magnetfelt IEC 61000-4-8	30 A/m	Strømfrekvensens magnetfelt bør tilsvare det typiske nivået for en vanlig plassering i et bedrifts- eller sykehusmiljø.
Ledet RF IEC 61000-4-6	3 V 150 kHz til 80 Mhz 6 V i ISM- og amatørradiobånd	Det er ikke mulig å teoretisk forutsi feltstyrke fra faste sendere, f.eks. basestasjoner for radiotelefoner (mobile/trådløse) og landmobile radioer, amatørradio, AM- og FM-radiosendinger og TV-sendinger nøyaktig. For å bestemme det elektromagnetiske miljøet som skyldes faste RF-sendere, bør det vurderes å gjennomføre en elektromagnetisk undersøkelse på stedet. Hvis den målte feltstyrken på stedet der dette produktet skal brukes overskrider det anvendelige RF-samsvarsnivået ovenfor, må dette produktet observeres for å bekrefte at det fungerer som det skal. Dersom det observeres unormal ytelse, kan det være påkrevd med ytterligere tiltak, som å snu eller flytte på dette produktet. Det kan oppstå interferens i nærheten av utstyr som er merket med følgende symbol: 

Immunitetstest	Test / samsvarsnivå	Elektromagnetisk miljø - veiledning
Utstrålt RF IEC 61000-4-3	10 V/m 80 Mhz til 2,7 GHz 385 MHz - 5785 MHz testspesifikasjoner for immunitet for trådløst RF-kommunikasjonsutstyr, se tabell 9 i IEC 60601-1-2:2014	Bærbart og mobilt RF-kommunikasjonsutstyr skal ikke brukes nærmere enn 30 cm fra noen del av dette produktet (inkludert kabler).



Disse retningslinjene gjelder kanskje ikke i alle situasjoner. Elektromagnetisk spredning påvirkes av absorbering og refleksjon fra strukturer, objekter og mennesker.

Innehållsförteckning

Den här bruksanvisningen MÅSTE ges till brukaren. INNAN produkten används, läs bruksanvisningen och spara den för framtida referens.

1 Allmänt	.278
1.1 Inledning	.278
1.2 Symboler som används i den här manualen	.278
1.3 Garanti	.279
1.4 Överensstämmelse	.279
1.4.1 Produktspecifika standarder	.279
1.5 Avsedd användning	.279
1.6 Produktlivslängd	.279
2 Säkerhet	.280
2.1 Säkerhetsinformation	.280
2.2 Säkerhetsinformation om elektromagnetisk kompatibilitet	.281
2.3 Etiketter och symboler på produkten	.281
3 Inställningar	.283
3.1 Säkerhetsinformation	.283
3.2 Ingår i leveransen	.283
3.3 Montera badkarslyften	.284
3.4 Ladda batteriet	.287
4 Användande	.289
4.1 Säkerhetsinformation	.289
4.2 Styra badkarslyften	.289
4.3 Bada	.291
5 Transport	.293
5.1 Säkerhetsinformation	.293
5.2 Ta bort badkarslyften	.293
6 Underhåll	.295
6.1 Underhåll och service	.295

6.2 Rengöring och desinfektion	.295
7 Återanvändning	.297
7.1 Förvaring	.297
7.2 Återinstallation	.297
7.3 Kassering	.297
8 Felsökning	.298
8.1 Identifiera och åtgärda problem	.298
9 Teknisk Data	.299
9.1 Mått och vikt	.299
9.2 Elektroniska data	.299
9.3 Material	.300
9.4 Miljöparametrar	.300
10 Elektromagnetisk kompatibilitet (EMC)	.301
10.1 Allmän EMC-information	.301
10.2 Elektromagnetisk strålning	.301
10.3 Elektromagnetisk integritet	.302

1 Allmänt

1.1 Inledning

Den här bruksanvisningen innehåller viktig information om hantering av produkten. Läs igenom bruksanvisningen noga och följ säkerhetsinstruktionerna för att försäkra dig om att du använder produkten på ett säkert sätt.

Observera att det kan finnas avsnitt i den här bruksanvisningen som inte gäller för din produkt eftersom den avser alla tillgängliga modeller (vid tidpunkten för tryckning). Om inget annat anges hänvisar varje avsnitt i den här bruksanvisningen till alla modeller av produkten.

De modeller och konfigurationer som är tillgängliga i ditt land finns i de landsspecifika prislisorna.

Invacare förbehåller sig rätten att ändra produktspecifikationerna utan ytterligare meddelande.

Kontrollera att du har den senaste versionen av den här bruksanvisningen innan du läser den. Du hittar den senaste versionen som PDF-fil på webbplatsen för Invacare.

Om du tycker att teckensnittsstorleken i den tryckta versionen av bruksanvisningen är svår att läsa kan du ladda ned PDF-versionen från webbplatsen. Du kan sedan förstora PDF-filen på skärmen till en teckensnittsstorlek som passar dig bättre.

Kontakta en Invacare-representant om du vill ha mer information om produkten, till exempel produktsäkerhetsmeddelanden och produktåterkallelser. Adresser finns i slutet av det här dokumentet.

1.2 Symboler som används i den här manualen

I den här manualen markeras varningar med symboler. Varningssymbolerna åtföljs av en rubrik som anger allvarlighetsnivån.



VARNING

Anger en riskfylld situation som kan leda till allvarlig skada eller dödsfall om den inte undviks.



FÖRSIKTIGT

Anger en riskfylld situation som kan leda till lättare skada om den inte undviks.



VIKTIGT

Anger en riskfylld situation som kan leda till sakskada om den inte undviks.



Tips och rekommendationer

Ger användbara råd, rekommendationer och information för en effektiv och problemfri användning.



Den här produkten uppfyller kraven i direktiv 93/42/EEG om medicintekniska produkter. Lanseringsdatum för produkten anges i CE-försäkran om överensstämmelse.



Produktens tillverkare.

1.3 Garanti

Vi tillhandahåller en tillverkargaranti för produkten i enlighet med våra allmänna affärsvillkor i respektive land. Garantianspråk kan endast göras genom den hjälpmedelscentral som tillhandahöll produkten.

Överdrag och sugkoppar omfattas inte av garantin.

1.4 Överensstämmelse

Kvalitet är absolut grundläggande för företagets verksamhet, och vi arbetar i enlighet med standarden i ISO 13485.

Den här produkten är CE-märkt i enlighet med direktiv 93/42/EEG om medicintekniska produkter av klass 1.

Vi arbetar ständigt på att se till att företaget påverkar lokal och global miljö så lite som möjligt.

Vi använder endast material och komponenter som följer REACH-direktivet.

Vi följer gällande miljölagstiftning, WEEE- och RoHS-direktivet.

1.4.1 Produktspecifika standarder

Produkten uppfyller kraven i standarden ISO 10535 (Lyftar för personer med funktionshinder).

Om du vill ha mer information kan du kontakta Invacare® i ditt land (adresser finns på baksidan av den här manualen).

1.5 Avsedd användning

Badkarslyftar förenklar och möjliggör i- och urstigning ur badkaret. De är endast avsedda som badhjälpmedel för personer med minskad rörlighet. All annan användning är förbjuden.

Indikationer

- Betydande funktionsnedsättning/avsaknad av funktion i övre och/eller nedre extremiteter (t.ex. amputeringar, förlamning, ledbesvär, neuromuskulära störningar med försvagade extremiteter), när en självständig i- och urstigning ur badkaret inte längre är möjlig samt man inte kan sätta sig ner och ställa sig upp själv, bålkontroll och grundläggande funktionskapacitet i extremiteterna måste fortfarande vara tillräcklig.
- Kroniska konsekvenser av sjukdom med funktionsbegränsningar i övre och/eller nedre extremiteterna, som inte längre möjliggör självständigt bad, däremot när ett till stor del självständigt bad är möjligt med hjälp av badkarslyften och andra badhjälpmedel för att kompensera funktionsnedsättningen inte är tillräckliga.

Kontraindikationer

Det finns inga kontraindikationer om produkten används korrekt.

1.6 Produktlivslängd

Denna produkts förväntade livslängd är fem år när den används dagligen i enlighet med de säkerhetsinstruktioner, underhållsintervall och korrekt användning som anges i denna manual. Den faktiska livslängden kan variera beroende på hur mycket och intensivt produkten används.

2 Säkerhet

2.1 Säkerhetsinformation

**VARNING!**

- Använd inte produkten eller någon tillvalsutrustning innan du har läst och förstått de här instruktionerna och eventuellt ytterligare instruktionsmaterial som bruksanvisningar, servicemanualer eller instruktionsblad som medföljer produkten eller tillvalsutrustningen. Manualer för produkter från Invacare finns på Internet och hos din lokala återförsäljare (adresser finns på baksidan av den här manualen).
- Om du inte kan förstå varningarna eller instruktionerna ska du kontakta hälso- och sjukvårdspersonal, återförsäljaren eller teknisk personal innan du använder utrustningen – annars kan det orsaka personskador eller skador på produkten.

**VARNING!****Risk för personskador**

- Använd inte produkten om den är defekt.
- Kontakta genast din återförsäljare i händelse av fel.
- Försök inte laga eller utföra obehöriga ändringar på produkten.
- Använd endast reservdelar som är avsedda för denna produkt.

**VARNING!****Risk för personskador**

- Stå aldrig på badkarslyften för att komma i eller ur badkaret, och använd den inte för att klättra upp eller ned, eller som lyftredskap eller andra liknande ändamål.

**VIKTIGT!**

Informationen i det här dokumentet kan ändras utan föregående meddelande.

- Kontrollera alla delar för att se om de har skadats under leveransen och testa dem innan de används.

2.2 Säkerhetsinformation om elektromagnetisk kompatibilitet



VARNING!

Risk för fel på grund av elektromagnetiska störningar

Elektromagnetiska störningar mellan denna produkt och annan elektrisk utrustning kan uppstå och inverka på produktens elektriska manöverfunktioner. Så här kan du förebygga, reducera och eliminera sådana elektromagnetiska störningar:

- Använd endast kablar, tillbehör och reservdelar som är original för att inte öka den elektromagnetiska strålningen eller reducera produktens elektromagnetiska integritet.
- Använd inte kommunikationsutrustning som nyttjar radiofrekvenser (RF) inom 30 cm avstånd från någon del av denna produkt (inklusive kablar).
- Använd inte denna produkt nära aktiv högfrekvent kirurgisk utrustning eller ett RF-avskärmat rum med ett system för magnetisk resonanstomografi, där det förekommer elektromagnetiska störningar av hög intensitet.
- Om störningar uppstår ska du öka avståndet mellan denna produkt och annan utrustning eller stänga av den.
- Se detaljerad information och följ riktlinjerna i kapitlet *10 Elektromagnetisk kompatibilitet (EMC)*, sida 301



VARNING!

Risk för fel

Elektromagnetiska störningar kan orsaka fel.
 – Använd inte den här produkten intill eller ovanpå annan elektrisk utrustning. Om sådan användning krävs måste produkten och annan utrustning övervakas för att verifiera att de fungerar som de ska.

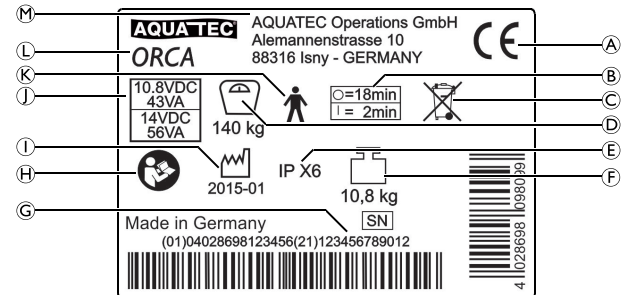


Vi känner inte till några risker vid användning av pacemakers och liknande.

2.3 Etiketter och symboler på produkten

Serienummeretikett

På serienummeretiketten finns viktig information:



Ⓐ	Märkning om överensstämmelse
Ⓑ	Användningsintervall (kontinuerlig motordrift är inte tillåtet): max 2 minuters kontinuerlig användning följt av 18 minuters paus.
Ⓒ	Anmärkning (kassering)
Ⓓ	Brukarens maxvikt
Ⓔ	Skyddstyp
Ⓕ	Produktens vikt
Ⓖ	Serienummer
Ⓗ	Läs bruksanvisningen
Ⓘ	Tillverkningsdatum
Ⓙ	Nominell spänning/nominell effekt, see 9.2 <i>Elektroniska data, sida 299</i>
Ⓚ	Patientansluten del typ B
Ⓛ	Produktbeteckning
Ⓜ	Tillverkare

Ⓘ Serienumeretiketten sitter på ryggstödet baksida.

3 Inställningar

3.1 Säkerhetsinformation



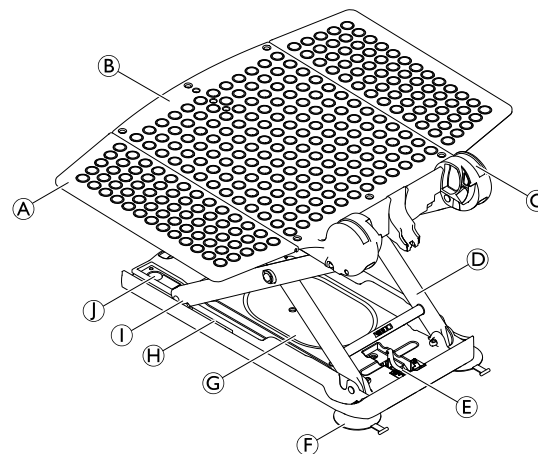
VIKTIGT!

- Kontrollera delarna för transportskador före användning och kontakta återförsäljaren vid behov.
- Se till att delarna är rätt placerade i förhållande till varandra under monteringen.
- Vi rekommenderar att överdragen tvättas före den första användningen. Se avsnittet 6.2 *Rengöring och desinfektion, sida 295*

3.2 Ingår i leveransen

Den här bruksanvisningen hänvisar till modellerna ORCA, ORCA F och ORCA XL. Dessa modeller skiljer sig åt vad gäller vikt och brukarens maxvikt, se avsnitt 9.1 *Mått och vikt, sida 299*. En sits- och ryggstödsklädsel finns som tillval för alla tre modellerna. Ryggstödet kan inte sänkas på modell ORCA F. Följande komponenter ingår i leveransen:

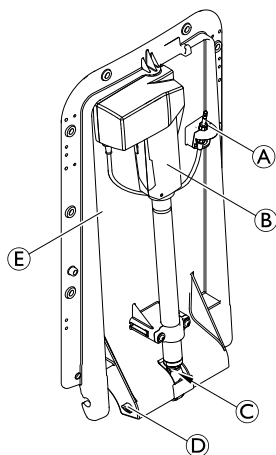
Sits



(A)	Sidoflik
(B)	Sittplatta
(C)	Gångjärn för ryggstöd
(D)	Lyftsax
(E)	Spindelfotens hållare
(F)	Bakre sugkoppar (två flikar med gängning)
(G)	Basplatta
(H)	Spår för glidkuts

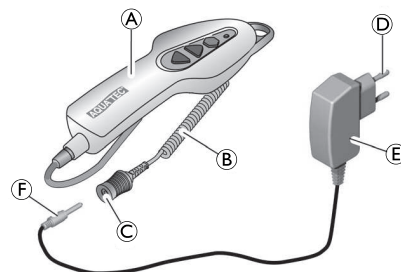
①	Glidkuts
①	Främre sugkoppar (en flik med huvud)

Ryggstöd



Ⓐ	Kontakt
Ⓑ	Drivenhet
Ⓒ	Spindelfot
Ⓓ	Låssprint
Ⓔ	Platta, ryggstöd

Manöverdosa och laddare



Ⓐ	Manöverdosa med batteri
Ⓑ	Manöverdosaens spiralsladd
Ⓒ	Manöverdosaens uttag
Ⓓ	Elkontakt
Ⓔ	Laddare
Ⓕ	Laddarens kontakt

3.3 Montera badkarslyften



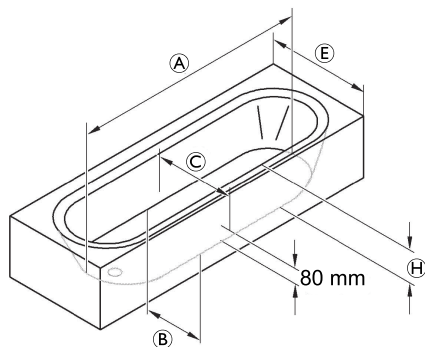
VARNING! **Halkrisk**

Badkarslyften kan glida om sugkopparna inte sitter fast ordentligt.

- Rengör badkaret och sugkopparna med en fuktig trasa innan du monterar badkarslyften.
- Ändra inte badkarslyftens placering i badkaret efter att den har monterats.

**VARNING!****Risk för personskador och sakskada!**

- Placera endast badkarslyften i sådana badkar som uppfyller de specifikationer som anges i tabellen nedan.
- Om vatten rinner över på sidorna i badkaret ska specialsidoflikarna (finns som tillbehör) användas.

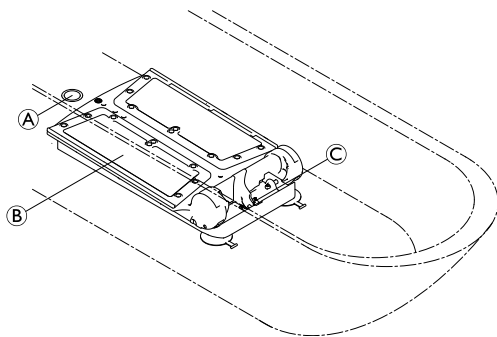


Ⓐ	Badkarets längd, nere	≥ 800 mm
Ⓑ	Badkarets bredd, nere (invändigt)	≥ 280 mm
Ⓒ	Badkarets bredd vid 80 mm höjd (invändigt)	≥ 430 mm

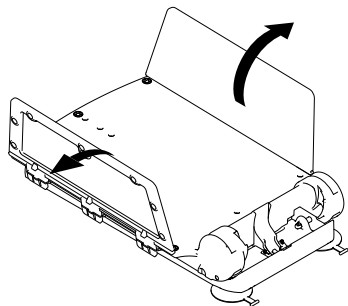
Ⓔ	Badkarets bredd (utvändigt)	580–690 mm (med specialsidoflikar) 700–740 mm (med standardsidoflikar) 750–1000 mm (med specialsidoflikar)
Ⓕ	Badkarets höjd (invändigt)	≤ 420 mm (med höjdjustering högst +60 mm)

**VIKTIGT!**

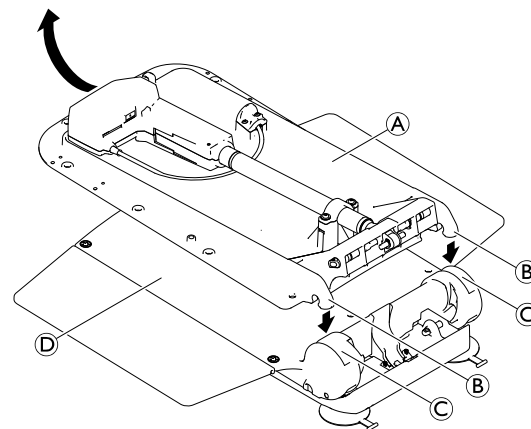
- Kontrollera att sugkopparna sitter fast ordentligt.
- Se till att batteriet i manöverdosan är laddat.
- Se till att spindelfoten är helt inskjuten.
- Kom ihåg att bedöma vikterna korrekt när badkarslyftens komponenter lyfts upp, se avsnitt 9.1 *Mått och vikt, sida 299*
- Om ett handtag finns monterat inuti badkaret använder du sidoflikfördelarna (finns som tillbehör).
- Vik ut sidoflikarna innan du fäller upp ryggstödet.



1. Placera sitsen ② på botten av det tomma badkaret. Se till att spindelfotens hållare ③ pekar bort från den del av badkaret där avloppet sitter ①.



2. Vik ut sitsens sidoflikar.



3. Lägg ryggstödet ① (utan manöverdosa) på sitsen så att hakarna ② på ryggstödet passar i gångjärnen ③ på sittplattan ④.

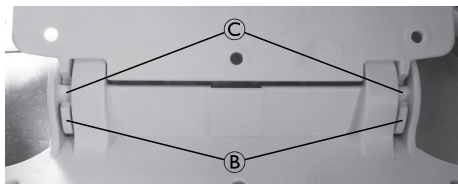


VIKTIGT!

Risk för skador

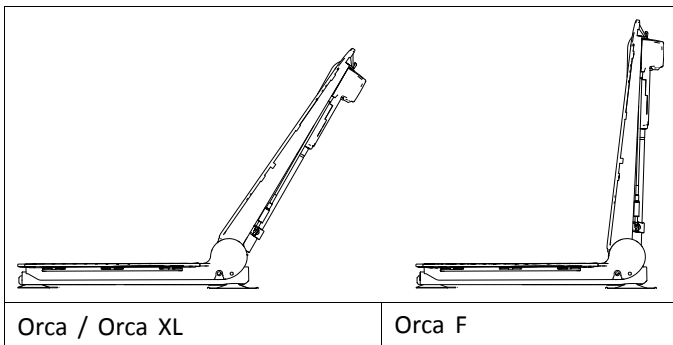
Skada på produkten till följd av att spindelfoten har glidit ur.

- Se till att spindelfoten är helt indragen och att den är jämn och inte vriden innan du faller upp ryggstödet.
- Se till att spindelfoten är i sin hållare när ryggstödet är uppfällt.

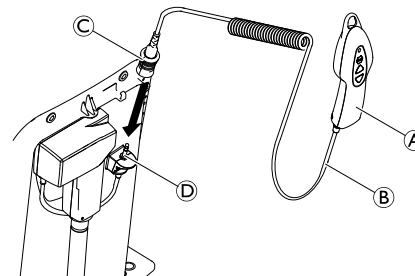
**VIKTIGT!****Risk för skador**

Skada på produkten på grund av felaktig montering av ryggstödet.

- Se till att båda hakarna **B** på ryggstödet hakar fast i gångjärnen **C** på sittplattan.
- Se till att ryggstödet fälls upp till ändläget utan överdriven kraft eller kännbart motstånd. Ändläget visas i följande bild.



4. Håll ryggstödet i mitten av huvudänden och lyft det försiktigt upp till ändläget.



5. Anslut uttaget med upplåsningshylsan **C** som sitter på spiralsladden **B** till kontakten **D** som sitter på manöverdosan **A** och se till att låsmekanismen aktiveras.

**VIKTIGT!****Risk för skador**

- Se till att ryggstödet inte vidrör badkarskanten.
- Placera badkarslyften längre fram i badkaret vid behov. Du placerar badkarslyften längre fram i badkaret genom att sänka badkarslyften till det nedersta läget, lossa sugkopparna och sedan flytta den.

3.4 Ladda batteriet

Badkarslyften får inte användas medan batteriet laddas.



VARNING!

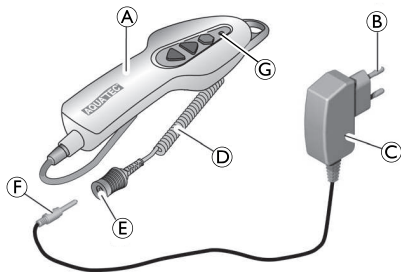
Risk för elektriska stötar

- Ladda alltid batteriet i ett torrt rum i rumstemperatur (15–25 °C) och aldrig i badrummet.



VIKTIGT!

- Batteriet i manöverdosan får endast laddas med den medföljande laddaren.
- Anslut laddaren till eluttaget endast när manöverdosan är ansluten till laddaren.
- Se till att spänningsspecifikationerna på laddaren överensstämmer med de för eluttaget.



1. Sätt i kontakten ⑥ på laddaren ③ i uttaget ⑤ på spiralsladden ④ till manöverdosan ① och se till att den sitter i ordentligt.
2. Anslut laddarens nätkabel ② till ett eluttag.



Den röda indikatorlampan ③ på manöverdosan släcks när batteriet är fullt laddat. Batteriet kan inte överladdas.

3. Koppla loss laddaren från eluttaget.
4. Dra ut laddarens kontakt ur uttaget på manöverdosan.

4 Användande

4.1 Säkerhetsinformation



FÖRSIKTIGT!

Överbelastning av badkarslyften kan orsaka skada på enheten eller förhindra att den kan höjas.

- Överbelasta inte badkarslyften och uppmärksamma specifikationerna på identifikationsetiketten och i avsnitt 9.1 *Mått och vikt, sida 299* avseende dess belastningskapacitet.



FÖRSIKTIGT!

Risk för att klämma fingrarna

- För inte in fingrarna i spåret mellan sitsen och ryggstödet.
- Sträck inte in handen under sittplattan eller mellan lyftsaxarna.



VIKTIGT!

Fukt kan tränga in i manöverdosan om den är skadad, vilket kan leda till kortslutning och brand.

- Utför alltid en visuell inspektion av produkten beträffande externa skador före varje användningstillfälle.
- Om manöverdosans kåpa skadas eller har sprickor ska manöverdosan inte användas.
- Ladda batteriet helt före varje användningstillfälle, 3.4 *Ladda batteriet, sida 287*.

1. Se driftförhållanden i avsnittet 9.4 *Miljöparametrar, sida 300*

4.2 Styra badkarslyften

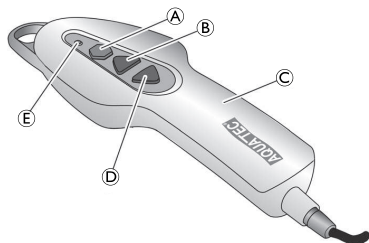
Badkarslyften kan styras i följande riktningar:



Badkarslyften styrs via manöverdosan, antingen av användaren eller en assistent.



När batteriet är fullt laddat kan ORCA och ORCA F klara 5 badmanövrer med en last på 140 kg. ORCA XL kan klara 4 badmanövrer med en last på 170 kg.



VIKTIGT!

Risk för skador

– Manöverdosan får endast användas när ryggstödet är ordentligt installerat och i upprätt läge.



VIKTIGT!

Om batteriet i manöverdosan © inte är tillräckligt laddat tänds den röda indikatorlampan ⑤ när Ned-knappen ④ trycks in. I så fall inaktiveras badkarslyftens sänkningsfunktion. Du kan dock fortfarande höja lyften.
– Ladda batteriet direkt efter att du har höjt badkarslyften.

Höja badkarslyften



VIKTIGT!

Om ryggstödet är nedfällt reser det sig till upprätt läge först (gäller ej modellen ORCA F).

1. Tryck på Upp-knappen ② på manöverdosan och håll den nedtryckt.
Ryggstödet reser sig till upprätt läge och sitsen höjer sig uppåt.
2. Släpp Upp-knappen på manöverdosan.
Badkarslyften stannar i det aktuella läget.

Sänka badkarslyften



VIKTIGT!

Om sitsen redan är nedsänkt faller sig ryggstödet bakåt (gäller ej modellen ORCA F).

1. Tryck på Ned-knappen ④ på manöverdosan och håll den nedtryckt.
Sitsen sänker sig nedåt eller också vinklas ryggstödet bakåt.
2. Släpp Ned-knappen på manöverdosan.
Badkarslyften stannar i det aktuella läget.

Nödstopp




VIKTIGT!

Tryck endast på nödstoppsknappen ① om enheten inte stannar omedelbart när du släpper Upp- eller Ned-knappen (t.ex. om en knapp fastnar). Badkarslyften stannar omedelbart och den röda lampan på manöverdosan tänds.

Om den röda indikatorlampan slocknar efter att nödstoppsknappen har släppts upp har felet korrigerats (t.ex. knappen släpps upp igen). Enheten är redo att användas igen.

Om den röda indikatorlampan fortsätter att lysa efter att nödstoppsknappen har släppts upp har felet inte korrigerats än. Enheten får inte användas utan måste repareras i händelse av skada på elektroniken.

 Kontakta en hjälpmedelscentral vid behov.

4.3 Bada



VARNING!

Halkrisk

Badkarslyften kan glida om sugkopporna inte sitter fast ordentligt.

- Kontrollera att badkarslyften är säkert placerad och inte kan välta innan den används.
- Kontrollera att badkarslyften har monterats i badkaret, → 3.3 *Montera badkarslyften, sida 284*



VARNING!

- Om du inte klarar av att bada på egen hand ska du endast använda lyften under någon annans uppsikt.
- Om du använder enheten utan uppsikt ska du se till att ha ett larmsystem eller en telefon inom räckhåll om något oförutsett skulle hända (t.ex. funktionsfel).



FÖRSIKTIG!

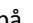

Badolja eller -salt kan försämra funktionen hos lyftsaxarna.

- Om du använder sådana tillsatser i badet bör du inte överskrida den rekommenderade doseringen.




VIKTIG!


- Kör den tomma lyften så långt upp det går en gång och sedan ned till botten (funktionstest).
- Kontrollera temperaturen på badvattnet innan du använder lyften.


1. Tryck på Upp-knappen  och håll den nedtryckt tills sitsen kommer i jämnhöjd med badkarskanten.
2. Se till att sidoflikarna är i jämnhöjd med sitsen och att de vilar plant mot badkarskanten.
3. Tappa upp vatten i badkaret.
4. Sätt dig på sidofliken närmast dig på samma sätt som du sätter dig på en stol.
5. Glid bakåt tills du sitter mitt på sitsen.
6. Vrid kroppen till badläge genom att lyfta först det ena och sedan det andra benet över badkarskanten.
7. När du sitter ordentligt trycker du på Ned-knappen  och håller den nedtryckt så att sitsen sänks ned i karet.



När sitsen har nått bottenläget kan du luta ryggstödet bakåt genom att fortsätta att hålla Ned-knappen  nedtryckt. Det här ger en bekvämare badställning och gör det möjligt att komma djupare ned i badvattnet (gäller ej modellen ORCA F).

8. Håll Ned-knappen intryckt tills ryggstödet har nått önskat läge.

 När du ska stiga ur badkaret följer du dessa steg i omvänd ordning.

9. När du vill resa upp ryggstödet eller höja badkarslyften trycker du på Upp-knappen  och håller den nedtryckt tills sitsen är i samma nivå som badkarskanten.



VIKTIGT!

– Koppla bort manöverdosan från enheten när badkarslyften inte används, se avsnitt 5.2 *Ta bort badkarslyften, sida 293* steg 3.

5 Transport

5.1 Säkerhetsinformation



FÖRSIKTIGT!

Ryggstödet är inte fastlåst i sitsen när det är hopfällt och kan lossna.

- Ta inte loss sugkopporna när badkarslyften transporteras.
- Avlägsna manöverdosan från ryggstödet före transport.
- Se lagrings- och leveransvillkor i avsnittet 9.4 *Miljöparametrar, sida 300*

1. Ta bort manöverdosan.
2. Ta isär badkarslyften i två delar för transport (sits och ryggstöd), → 5.2 *Ta bort badkarslyften, sida 293*

5.2 Ta bort badkarslyften

1. Släpp ut vattnet ur badkaret.
2. Sänk badkarslyften med Ned-knappen tills ryggstödet stannar i sänkt ändläge. 4.2 *Styra badkarslyften, sida 289*

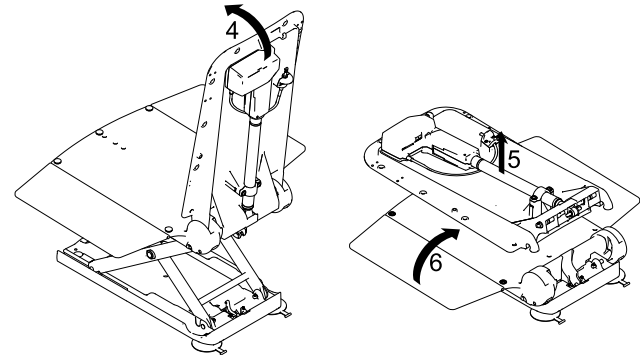
3. Frigör uttaget på manöverdosans spiralsladd genom att föra upplåsningshylsan uppåt och dra av den från kontakten.



VIKTIGT!

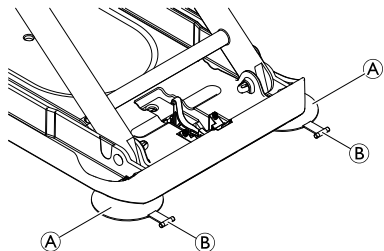
Risk för skador

- Se till att manöverdosans spiralsladd inte hamnar i kläm när ryggstödet fälls ned.
- Fäll inte ned ryggstödet medan det är vatten i badkaret.



4. Håll ryggstödet i huvudänden med en hand och vik det framåt mot ändläget.
5. Lyft upp ryggstödet från sitsen och badkaret.

6. Vik in sitsens sidoflikar.



VIKTIGT!

– Lossa de båda bakre sugkopparna samtidigt.

7. Lossa den bakre sugkoppen ① genom att dra dess flik uppåt ②.
8. Lyft den bakre delen av sitsen ytterligare. Då lossas de främre sugkopparna.



VIKTIGT!

– Om höjjusteraren har monterats (tillval) måste du också dra i flikarna på de främre sugkopparna för att de ska lossna.

9. Lyft upp sitsen ur badkaret.
10. Förvara alla delar till badkarslyften omsorgsfullt.

6 Underhåll

6.1 Underhåll och service

Om rengörings- och säkerhetsinstruktionerna följs behöver produkten inget underhåll.



VIKTIGT!

Manöverdosan får endast öppnas av badkarslyftens tillverkare.

1. Kontrollera regelbundet att produkten inte är skadad och att den är monterad på ett säkert sätt.
2. Kontakta genast hjälpmedelscentralen i händelse av skada och/eller behov av reparation.
3. Badkarslyften måste kontrolleras av en hjälpmedelscentral innan den kan återanvändas. Badkarslyften bör kontrolleras minst en gång per 24 månader (i enlighet med EN ISO 10535).
4. Om badkarslyften inte har använts under en längre tid bör batteriet laddas helt och lyften höjas och sänkas 3 gånger utan last. Upprepa detta var 3:e månad. Det bidrar till att hålla batteriet i fungerande skick.

6.2 Rengöring och desinfektion

Produkten kan rengöras och desinficeras med vanliga rengöringsmedel.

1. Desinficera produkten genom att torka av alla åtkomliga ytor med desinfektionsmedel (efter att produkten har monterats isär, om möjligt).



VIKTIGT!

Alla rengöringsmedel och desinfektionsmedel som används måste vara effektiva, kompatibla med varandra och måste skydda de material som de är avsedda att rengöra.

- Ytterligare information om dekontaminering i vårdmiljö finns i riktlinjerna från The National Institute for Clinical Excellence om hur man förhindrar smittspridning på www.nice.org.uk/CG139 samt i den lokala smittskyddspolicyn.
- Rengör produkten regelbundet för hand.
- Använd inte slipande rengöringsmedel.

Rengöra sitsen och ryggstödet



FÖRSIKTIGT!

Risk för att klämma fingrarna

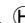
- Var extra försiktig när du rengör området runt lyftaxarna eftersom de kan röra sig och orsaka personskada.



VIKTIGT!

Risk för skador

- Använd aldrig högtryckstvätt för att rengöra ryggstödet.

1. Rengör produkten med en trasa eller borste.
2. Skölj produkten med varmt vatten.
3. Torka produkten med en trasa.
4. Smörj spåret till glidskon (Bild avsnitt 3.2, ) med vaselin.

Rengöra överdragen (tillval)



Vi rekommenderar att överdragen tvättas före den första användningen. Överdragen bör tvättas regelbundet och bytas ut en gång per år av hygieniska skäl.

1. Knäpp loss överdragen från sitsen och ryggstödet.
2. Tvätta överdragen i tvättmaskin i max 60 °C med mild tvättmedel.



VIKTIGT!

Risk för skador

- Vid hög tvättemperatur kan klädseln skadas eller krympa.
- Torka inte överdragen i torktumlare.

Rengöra laddaren och manöverdosan



VARNING!

Risk för elektriska stötar

- Dra alltid ut kontakten ur eluttaget innan du rengör laddaren.
- Infoga aldrig material som är ledande (t.ex. stickor, metallnålar) i manöverdosans uttag.
- Använd aldrig en blöt eller fuktig trasa vid rengöring av laddaren.

1. Torka av laddaren med en torr trasa.
2. Torka av manöverdosan med en fuktig trasa och torka den sedan med en torr trasa.

7 Återanvändning

7.1 Förvaring



VIKTIGT!

Risk för sakskada

- Förvara inte produkten nära värmekällor.
- Exponera inte produkten för direkt solljus.
- Se förvarings- och transportförhållanden i avsnittet *9.4 Miljöparametrar, sida 300*

7.2 Återinstallation

Produkten kan återinstalleras. Antalet återinstallationer beror på hur ofta och på vilket sätt produkten har använts. Före återinstallation bör produkten genomgå hygienisk förberedelse (→ *6.2 Rengöring och desinfektion, sida 295*) samt mekanisk kontroll för att försäkra att den är i fungerande och säkert skick. Reparera vid behov.

7.3 Kassering

Kassering och återvinning av förbrukade produkter och förpackningar ska ske i enlighet med gällande tillämpliga lokala bestämmelser.



VARNING!

- Släng aldrig manöverdosan i eller förvara den nära öppen eld.

Informationsplikt enligt det tyska direktivet angående batterier, BattG:

Produkten innehåller ett laddningsbart litiumjonbatteri. Urladdade batterier eller sådana som inte längre kan laddas får inte kasseras i hushållssoporna. Gamla batterier kan innehålla skadliga ämnen som kan utgöra en fara för miljön och människors hälsa.

Återlämna sådana batterier till din hjälpmedelscentral eller till den lokala batteriinsamlingen. Det kostar inget att lämna tillbaka dem, och det är en skyldighet enligt lag.

Släng endast urladdade batterier i samlingsbehållare och tejpa över polerna på litiumbatterier.

8 Felsökning

8.1 Identifiera och åtgärda problem



Följande tabell ger information om funktionsfel och möjliga orsaker. Kontakta din hjälpmedelscentral direkt om du inte kan åtgärda felen med hjälp av lösningarna i tabellen.

Problem	Möjlig orsak	Åtgärd
Inget motorljud hörs/lyften rör sig inte.	Uttaget på manöverdosan är inte helt anslutet.	Anslut uttaget, → 3.3 <i>Montera badkarslyften, sida 284</i>
	Batteriet är urladdat.	Ladda batteriet helt, → 3.4 <i>Ladda batteriet, sida 287</i>
	Polerna är smutsiga.	Rengör kontakten på ryggstödet → kontakta hjälpmedelscentralen vid behov.
	Sladden är hopklämd/skadad.	Byt ut manöverdosan, → kontakta hjälpmedelscentralen vid behov.
Lyften kan höjas men inte sänkas.	Lågspänningsskyddet har aktiverats.	Ladda batteriet helt, → 3.4 <i>Ladda batteriet, sida 287</i>
Lyften stannar när den höjs.	Överbelastning.	Observera högsta belastning, → 9.1 <i>Mått och vikt, sida 299</i>
Badkarslyften fäster inte ordentligt i badkaret.	Sugkopparna är gamla eller skadade.	Byt ut sugkopparna, → kontakta hjälpmedelscentralen vid behov.
Batteriet laddas inte och den röda indikatorlampan blinkar under laddningen.	Fel på elektroniken.	Be hjälpmedelscentralen undersöka manöverdosan.
	Fel på batteriet.	Byt ut manöverdosan.
	Fel på laddaren.	Låt hjälpmedelscentralen undersöka laddaren.
	Batteriet är överhettat.	Ladda inte manöverdosan i närheten av värmekällor som element eller i direkt solljus. Laddningen fortsätter automatiskt när temperaturen sjunker till inom de tillåtna gränserna.

9 Teknisk Data

9.1 Mått och vikt

Total längd i det lägsta läget	920 mm
Total längd i det högsta läget	650 mm
Total höjd i det högsta läget	1075 mm
Sitsens längd	590 mm
Sitsens bredd med sidoklaffar utvikta	715 mm
Sitsens bredd med sidoklaffar invikta	390 mm
Sitsens höjd i det lägsta läget	60 mm
Sitsens höjd i det högsta läget	420 mm
Ryggstödetets bredd	360 mm
Ryggstödetets minsta vinkel	8°
Basplattans bredd	295 mm
Högsta belastning (ORCA / ORCA F) Högsta belastning (ORCA XL)	140 kg 170 kg
Total vikt utan handkontroll (ORCA) (ORCA F) (ORCA XL)	10,8 kg 11,4 kg 11,6 kg
Sitsens vikt (ORCA) (ORCA F) (ORCA XL)	6,6 kg 7,2 kg 7,4 kg
Ryggstödetets vikt (ORCA / ORCA F / ORCA XL)	4,2 kg

Handkontrollens vikt	0,4 kg
Laddarens vikt	0,1 kg

9.2 Elektroniska data

Aktiveringskraft för manöverdosans knappar	< 5 N
Manöverdosans driftspänning ¹⁾	10,8 V DC/ 14 V DC
Anslutningseffekt ¹⁾	43 VA/56 VA
Märckström	4 A
Batterityp	Litiumjon
Laddarens ingång	100-240 V AC, 50-60 Hz
Laddarens utgång	24 V DC, 135 mA, 3 VA
Laddningstid från lågspänningsvarning	ca. 4,5 tim.
Skyddsgrad, drivenhet	IP X6 W ²⁾
Skyddsgrad, manöverdosa	IP 67 ³⁾
Skyddsgrad för hela enheten	IP X6 ⁴⁾
Ljudstyrkenivå	52 dB(A)

Ställ donet inte av när produkten överbelastas. Överbelasta inte badkarslyften, så undviker du skador.

¹⁾ 10,8 V DC/43 VA gäller vid användning av manöverdosor med en spänning på 10,8 V, vilket anges på baksidan av manöverdosa.

14 V DC/56 VA gäller vid användning av manöverdosor med en spänning på 14 V, vilket anges på baksidan av manöverdosan.

2) Skyddad mot intrång av vatten i händelse av starka vattenstrålar. Testad under föreskrivna väderförhållanden.

3) Dammtålig och skyddad mot intrång av vatten under tillfällig nedsänkning.

4) Skyddad mot intrång av vatten i händelse av starka vattenstrålar.

9.3 Material

Ryggstöd	PPGF
Sittplatta	PPGF
Överdrag	PVC



Alla material som används är rostbeständiga och latexfria.

9.4 Miljöparametrar

Driftförhållanden	
Omgivande temperatur	10–40 °C
Relativ luftfuktighet	15 %–93 % icke-kondenserande
Atmosfäriskt tryck	795–1 060 hPa
Förvarings- och transportförhållanden	
Omgivande temperatur	0–40 °C

Relativ luftfuktighet	30 %–75 % icke-kondenserande
Atmosfäriskt tryck	795–1 060 hPa

10 Elektromagnetisk kompatibilitet (EMC)

10.1 Allmän EMC-information

Medicinsk elektrisk utrustning måste installeras och användas i enlighet med EMC-informationen i den här manualen.

Denna produkt har testats och bekräftats uppfylla de EMC-gränser som anges av IEC/EN 60601-1-2 för utrustning tillhörande klass B.

Bärbar och mobil kommunikationsutrustning som använder RF kan påverka driften av denna produkt.

Andra enheter kan störas även av de lägsta nivåerna av elektromagnetisk strålning som tillåts av ovannämnd standard. För att fastställa om utstrålning från denna produkt orsakar störningar, starta produkten och stäng av den. Om störningarna upphör för de andra enheterna är det denna produkt som orsakar störningarna. I sådana sällsynta fall kan störningen minskas eller åtgärdas på följande sätt:

- Placera om, flytta eller öka avståndet mellan enheterna.

10.2 Elektromagnetisk strålning

Riktlinjer och tillverkarens deklARATION

Denna produkt är avsedd för användning i den elektromagnetiska miljö som anges nedan. Kunden eller användaren av denna produkt måste försäkra sig om att den används i en sådan miljö.

Strålningstest	Överensstämmelse	Elektromagnetisk miljö – riktlinjer
RF-strålning CISPR 11	Grupp I	Denna produkt använder endast RF-energi för sin interna funktion. Därför är dess RF-strålning mycket låg och orsakar sannolikt ingen interferens hos närliggande elektronisk utrustning.
RF-strålning CISPR 11	Klass B	Denna produkt är lämplig för användning i alla institutioner inklusive boenden och platser som är direkt anslutna till det allmänna lågspänningsnätet som förser byggnader med el för hushållsändamål.


Harmonisk utstrålning IEC 61000-3-2	Klass A	
Spänningsvariationer/ flimmerutstrålning IEC 61000-3-3	Överensstämmer	

10.3 Elektromagnetisk integritet

Riktlinjer och tillverkarens deklARATION

Denna produkt är avsedd för användning i den elektromagnetiska miljö som anges nedan. Kunden eller användaren av denna produkt måste försäkra sig om att den används i en sådan miljö.

Immunitetstest	Test / Nivå på överensstämmelse	Elektromagnetisk miljö – riktlinjer
Elektrostatisk urladdning (ESD) IEC 61000-4-2	± 8 kV kontakt ± 2 kV, ± 4 kV, ± 8 kV, 15 kV luft	Golv ska vara av trä, betong eller keramik. Om golven är täckta av syntetmaterial ska den relativa luftfuktigheten vara minst 30 %.
Elektrostatiska transienter/ pulsskurar IEC 61000-4-4	± 2 kV för elnätsledning; 100 kHz repetitionsfrekvens ± 1 kV för ledningar in/ut; 100 kHz repetitionsfrekvens	Kvaliteten på nätströmmen ska vara likvärdig med den i en typisk kommersiell miljö eller sjukhusmiljö.
Överspänning IEC 61000-4-5	± 1 kV ledning till ledning ± 2 kV ledning till jord	Kvaliteten på nätströmmen ska vara likvärdig med den i en typisk kommersiell miljö eller sjukhusmiljö.

Immunitetstest	Test / Nivå på överensstämmelse	Elektromagnetisk miljö – riktlinjer
<p>Spänningsfall, korta avbrott och spänningsvariationer i elnätets ingångsledningar</p> <p>IEC 61000-4-11</p>	<p>< 0 % U_T för 0,5 cykel vid steg på 45°</p> <p>0 % U_T för 1 cykel</p> <p>70 % U_T för 25 / 30 cykler</p> <p>< 5 % U_T för 250 / 300 cykler</p>	<p>Kvaliteten på nätströmmen ska vara likvärdig med den i en typisk kommersiell miljö eller sjukhusmiljö. Om användaren av denna produkt behöver kontinuerlig användning under strömavbrott på elnätet, rekommenderas att produkten drivs från en UPS-enhet eller ett batteri.</p> <p>U_T är nätspänningen innan testnivån tillämpas.</p>
<p>Strömfrekvensens (50/60 Hz) magnetfält</p> <p>IEC 61000-4-8</p>	<p>30 A/m</p>	<p>Strömfrekvensens magnetfält ska vara på normala nivåer för en typisk placering i en typisk kommersiell miljö eller sjukhusmiljö.</p>
<p>Ledningsbunden RF</p> <p>IEC 61000-4-6</p>	<p>3 V 150 kHz till 80 MHz</p> <p>6 V i banden för ISM- och amatörradio</p>	<p>Fältstyrkor från fasta sändare, t.ex. basstationer för radiotelefoner (mobila/trådlösa) och landmobilradio, amatörradio, AM- och FM-radiosändningar och TV-sändningar, kan inte med säkerhet förutsägas teoretiskt. För att utvärdera den elektromagnetiska miljön med avseende på fasta RF-sändare ska en elektromagnetisk platsundersökning övervägas. Om den uppmätta fältstyrkan på den plats där produkten används överskrider ovanstående tillämpliga nivåer för överensstämmelse med RF-krav, ska produkten observeras för att verifiera normal drift. Om onormala prestanda iaktas kan ytterligare åtgärder vara nödvändiga, såsom att produkten förflyttas eller vänds.</p> <p>Interferens kan förekomma i närheten av utrustning som är markerad med följande symbol: </p>

Immunitetstest	Test / Nivå på överensstämmelse	Elektromagnetisk miljö – riktlinjer
Utstrålad RF IEC 61000-4-3	10 V/m 80 MHz till 2,7 GHz För testspecifikationerna för 385 MHz–5785 MHz för integritet gentemot trådlös kommunikationsutrustning med RF, se tabell 9 i IEC 60601-1-2:2014	Bärbar och mobil kommunikationsutrustning med RF bör inte användas inom ett avstånd på 30 cm från någon del av denna produkt, inklusive kablar.



Dessa riktlinjer gäller kanske inte i alla situationer. Elektromagnetisk utbredning påverkas av absorption och reflektion från byggnader, föremål och människor.

Obsah

Tento návod k použití MUSÍ být poskytnut každému uživateli tohoto výrobku. PED použitím výrobku si nvod prostudujte a pot ho uschovejte pro budouc pouit.

1 Všeobecně	306
1.1 Úvod	306
1.2 Symboly použité v tomto návodu	306
1.3 Záruka	307
1.4 Soulad s předpisy	307
1.4.1 Příslušné produktové normy	307
1.5 Účel použití	307
1.6 Životnost	307
2 Bezpečnost	308
2.1 Bezpečnostní informace	308
2.2 Bezpečnostní informace o elektromagnetické kompatibilitě	309
2.3 Štítky a symboly na výrobku	309
3 Nastavení	311
3.1 Bezpečnostní informace	311
3.2 Obsah dodávky	311
3.3 Umístění vanového zvedáku do vany	312
3.4 Nabíjení baterie	315
4 Použití	317
4.1 Bezpečnostní informace	317
4.2 Ovládání vanového zvedáku	317
4.3 Koupání	318
5 Přesun	320
5.1 Bezpečnostní informace	320
5.2 Demontáž vanového zvedáku	320
6 Údržba	322
6.1 Údržba a obsluha	322

6.2 Čištění a dezinfekce	322
7 Po použití	324
7.1 Skladování	324
7.2 Opakované použití	324
7.3 Likvidace	324
8 Odstraňování potíží	325
8.1 Identifikace a oprava závad	325
9 Technické Údaje	327
9.1 Rozměry a hmotnost	327
9.2 Elektronické údaje	327
9.3 Materiály	328
9.4 Parametry prostředí	328
10 Elektromagnetická kompatibilita (EMC)	329
10.1 Všeobecné informace o EMC	329
10.2 Elektromagnetické emise	329
10.3 Elektromagnetická odolnost	330

1 Všeobecně

1.1 Úvod

V této uživatelské příručce naleznete důležité informace o správném použití tohoto výrobku. Pečlivě si tuto uživatelskou příručku přečtěte a dodržujte veškeré bezpečnostní pokyny, aby byla při používání tohoto výrobku zajištěna bezpečnost.

Vezměte na vědomí, že některé části této uživatelské příručky se nemusí k vašemu výrobku vztahovat, neboť tato příručka platí pro všechny dostupné modely vyráběné v době jejího tisku. Není-li uvedeno jinak, jednotlivé části této příručky se týkají všech modelů výrobku.

Modely a konfigurace dostupné ve vaší zemi najdete v místním platném ceníku.

Společnost Invacare si vyhrazuje právo změnit specifikace výrobku bez dalšího upozornění.

Než začnete tuto příručku číst, zkontrolujte, že se jedná o její nejnovější verzi. Nejnovější verzi naleznete ve formátu PDF na webových stránkách společnosti Invacare.

Pokud je pro vás velikost písma v tištěné verzi uživatelské příručky hůře čitelná, můžete si ji z webu stáhnout ve formátu PDF. Stažený soubor si můžete na obrazovce přiblížit tak, aby byl pro vás lépe čitelný.

Další informace o výrobku, např. bezpečnostní údaje o výrobku, informace o stažení výrobků apod., vám poskytne prodejce nebo zástupce společnosti Invacare. Adresy jsou uvedeny na konci tohoto dokumentu.

1.2 Symboly použité v tomto návodu

Výstrahy jsou v tomto návodu značeny pomocí symbolů. Výstražné symboly jsou doprovázeny textem určujícím závažnost hrozícího nebezpečí.



VAROVÁNÍ

Označuje nebezpečnou situaci, v jejímž důsledku by mohlo dojít k vážnému poranění nebo usmrcení.



VÝSTRAHA

Označuje nebezpečnou situaci, v jejímž důsledku by mohlo dojít k drobnému či méně závažnému poranění.



DŮLEŽITÉ

Označuje nebezpečnou situaci, v jejímž důsledku by mohlo dojít k poškození majetku.



Tipy a doporučení

Poskytují užitečné tipy a doporučení zaručující účelné a bezproblémové používání výrobku.



Tento výrobek odpovídá směrnici 93/42/EHS o zdravotnických prostředcích. Datum uvedení tohoto výrobku na trh je uvedeno v prohlášení o shodě CE.



Výrobce

1.3 Záruka

Poskytujeme záruku výrobce na výrobek v souladu s našimi všeobecnými obchodními podmínkami platnými v jednotlivých zemích. Záruční reklamace lze uplatňovat pouze prostřednictvím dodavatele, od něhož bylo zařízení zakoupeno.

Potahy a přísavky jsou ze záruky vyloučeny.

1.4 Soulad s předpisy

Kvalita je nezbytným předpokladem pro správné fungování společnosti, která se řídí normou ISO 13485.

Tento výrobek nese označení CE v souladu se směrnicí 93/42/EHS o zdravotnických prostředcích třídy 1.

Neustále se snažíme snižovat svůj dopad na životní prostředí – lokálně i globálně.

Používáme pouze materiály a součásti, které odpovídají požadavkům směrnice REACH.

Dodržujeme požadavky platných předpisů WEEE a RoHS o ochraně životního prostředí.

1.4.1 Příslušné produktové normy

Tento výrobek splňuje požadavky normy ISO 10535 (Zvedáky pro přepravu osob se zdravotním postižením).

Další informace získáte od zástupce společnosti Invacare ve své zemi (adresy jsou uvedeny na konci tohoto dokumentu).

1.5 Účel použití

Vanové zvedáky ulehčují nebo přímo umožňují vstup do vany a výstup z ní. Slouží výhradně jako pomůcka ke koupání

1574469-C

pacientů se sníženou mobilitou. Jakýkoli jiný způsob použití je zakázán.

Indikace použití

- Závažné snížení funkce / výpadek funkce horních a/nebo dolních končetiny (např. amputace, paréza, onemocnění kloubů, nervosvalová onemocnění s postižením končetin), kdy pacient sám nevládne vstoupit či vystoupit z vany nebo není schopen si sám sednout a zvednout se. Pacient musí mít zachovanou hybnost trupu a základní funkce končetin v dostatečné míře.
- Chronické důsledky onemocnění s funkčním omezením horních a/nebo dolních končetin, které již neumožňují soběstačné koupání; pokud je možné do značné míry soběstačné koupání při použití vanového zvedáku a jiné vanové pomůcky sloužící ke kompenzaci postižení již nejsou dostatečné.

Kontraindikace

Pokud produkt používáte správným způsobem, ke kontraindikacím nedochází.

1.6 Životnost

Je-li výrobek denně používán v souladu s bezpečnostními nařízeními a k zamýšlenému účelu, jenž je uveden v tomto návodu, a jsou-li dodržovány intervaly jeho údržby, je očekávaná životnost výrobku 5 let. Reálná životnost se však může lišit v závislosti na četnosti a intenzitě používání.

2 Bezpečnost

2.1 Bezpečnostní informace



VAROVÁNÍ!

- Tento výrobek ani žádné dostupné volitelné vybavení nepoužívejte, aniž byste se předem důkladně obeznámili s tímto návodem a s veškerými dodatečnými instruktážními podklady, jako jsou například návody k použití, servisní příručky nebo pokyny dodané s tímto výrobkem nebo s volitelným vybavením. Příručky k produktům společnosti Invacare jsou k dispozici na internetu nebo u místního prodejce (adresy jsou uvedeny na zadní straně této příručky).
- Nebudou-li pro vás varování, upozornění nebo pokyny srozumitelné, obraťte se na zdravotnického pracovníka, prodejce nebo odborného technika dřívě, než se pokusíte výrobek použít – v opačném případě může dojít k úrazu nebo ke vzniku škody.



VAROVÁNÍ!

Nebezpečí úrazu

- Zařízení nepoužívejte, je-li poškozeno.
- V případě závady se okamžitě obraťte na příslušného prodejce.
- Neprovádějte neschválené změny ani úpravy výrobku.
- Používejte pouze náhradní díly určené pro tento výrobek.



VAROVÁNÍ!

Nebezpečí úrazu

- Na vanový zvedák si nikdy nestoupejte ve snaze vlézt do vany nebo z ní vylézt, ani ho nepoužívejte místo žebříku či stupátka, jako zvedací plošinu a podobně.



DŮLEŽITÉ!

- Informace obsažené v tomto dokumentu podléhají změnám bez předchozího upozornění.
- Před použitím výrobku zkontrolujte a vyzkoušejte všechny součásti a ujistěte se, že při přepravě nebyly poškozeny.

2.2 Bezpečnostní informace o elektromagnetické kompatibilitě



VAROVÁNÍ!

Nebezpečí závady v důsledku elektromagnetického rušení

Mezi tímto výrobkem a jiným elektrickým zařízením může dojít k elektromagnetickému rušení, které ovlivní funkce elektrického nastavení tohoto výrobku. V rámci preventivních opatření omezte nebo eliminujte takové elektromagnetické rušení:

- Používejte pouze originální kabely, příslušenství a náhradní díly, aby nedocházelo ke zvýšení elektromagnetických emisí nebo snížení elektromagnetické odolnosti tohoto výrobku.
- Nepoužívejte přenosné radiofrekvenční (RF) komunikační zařízení ve vzdálenosti do 30 cm od jakékoli součásti tohoto výrobku (včetně kabelů).
- Nepoužívejte tento výrobek v blízkosti vysokofrekvenčních chirurgických přístrojů a místností s RF ochranou, v nichž se nachází systém pro magnetickou rezonanci a kde je intenzita elektromagnetického rušení vysoká.
- Pokud k rušení dojde, zvětšete vzdálenost mezi tímto výrobkem a druhým zařízením nebo zařízení vypnete.
- Přečtěte si podrobné informace a postupujte podle pokynů v kapitole 10 *Elektromagnetická kompatibilita (EMC), strana 329*



VAROVÁNÍ!

Nebezpečí závady

Elektromagnetické rušení může vést k nesprávnému fungování výrobku.

- Nepoužívejte tento výrobek v blízkosti jiných elektrických zařízení. Pokud je takové použití nutné, musí být tento výrobek i druhé zařízení pod přísným dohledem za účelem získání jistoty, že obě zařízení fungují normálně.

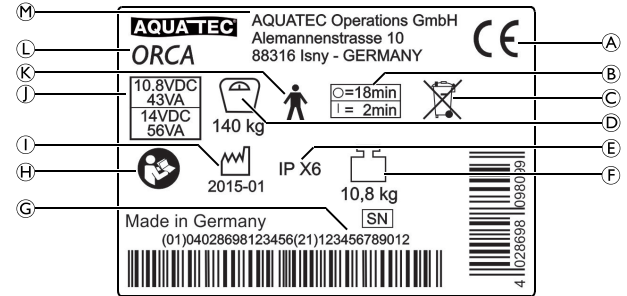


Nejsme si vědomi žádného rizika spojeného s použitím výrobků jako kardiostimulátor.

2.3 Štítky a symboly na výrobku

Identifikační štítek

Identifikační štítek obsahuje důležité informace:



Ⓐ	Označení shody
Ⓑ	Interval použití (kontinuální provoz motoru není povolen): max. 2 minuty kontinuálního provozu následovně 18minutovou pauzou
Ⓒ	Poznámka (likvidace)
Ⓓ	Maximální hmotnost uživatele
Ⓔ	Typ ochrany
Ⓕ	Hmotnost výrobku
Ⓖ	Sériové číslo
Ⓗ	Přečtěte si uživatelskou příručku.
Ⓘ	Datum výroby
Ⓝ	Jmenovité napětí / jmenovitý příkon, viz 9.2 <i>Elektronické údaje, strana 327</i>
Ⓚ	Aplikovaná část typu B
Ⓛ	Určení výrobku
Ⓜ	Výrobce



Identifikační štítek se nachází na zadní straně opěradla.

3 Nastavení

3.1 Bezpečnostní informace

! DŮLEŽITÉ!

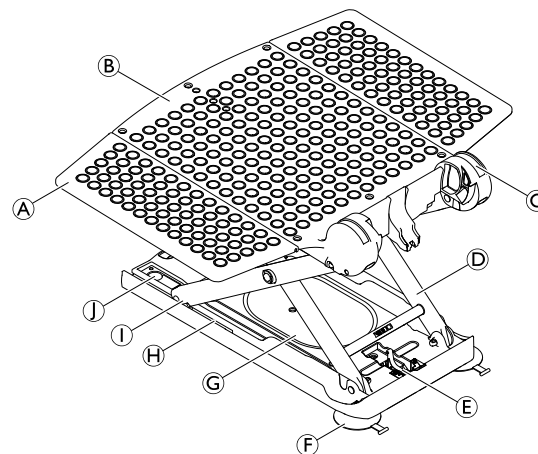
- Před uvedením do provozu zkontrolujte, zda při přepravě nedošlo k poškození součástí, a v případě potřeby se obraťte na prodejce.
- Během montáže kontrolujte, zda jsou díly ve správné poloze vzhledem k ostatním dílům.
- Doporučujeme vyprat potahy před prvním použitím, viz kapitola 6.2 *Čištění a dezinfekce, strana 322*

3.2 Obsah dodávky

Tato uživatelská příručka je určena pro modely ORCA, ORCA F a ORCA XL. Tyto modely se liší v hmotnosti a maximálním zatížení. Další informace najdete v části 9.1 *Rozměry a hmotnost, strana 327*. U všech tří modelů je k dispozici volitelný potah sedadla a opěradla. U modelu ORCA F nelze snížit opěradlo.

Součástí dodávky jsou následující součásti:

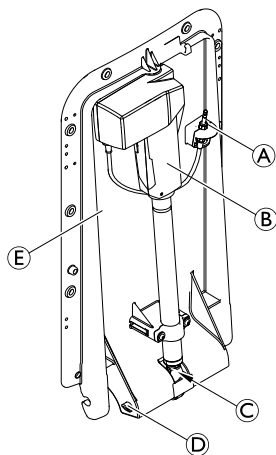
Sedadlo



(A)	Boční klapka
(B)	Deska sedadla
(C)	Šroub k opěradlu
(D)	Zvedací nůžky
(E)	Držák patky vřetena
(F)	Zadní přísavky (dva jazýčky a závit)
(G)	Deska základny
(H)	Objímka pro kluznici

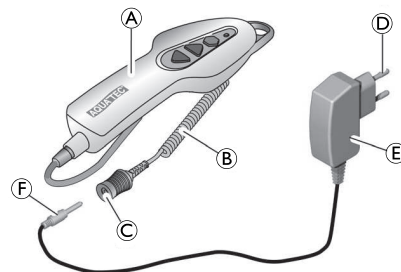
①	Kluznice
①	Přední přísavky (jeden jazýček a hlavice)

Opěradlo



Ⓐ	Konektor
Ⓑ	Pohon
Ⓒ	Patka vřetena
Ⓓ	Kolíková záračka
Ⓔ	Deska, opěradlo

Ruční ovladač a nabíječka



Ⓐ	Ruční ovladač s baterií
Ⓑ	Spirálový kabel ručního ovladače
Ⓒ	Zdířka pro konektor ručního ovladače
Ⓓ	Síťová zástrčka
Ⓔ	Nabíječka
Ⓕ	Konektor nabíječky

3.3 Umístění vanového zvedáku do vany



VAROVÁNÍ!

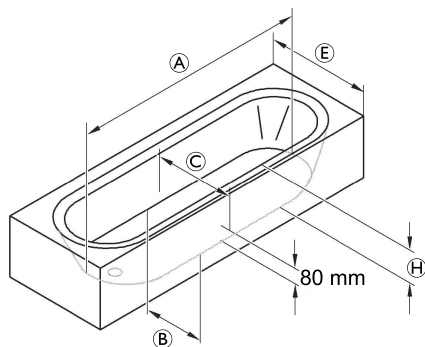
Nebezpečí prokluzování

Nejsou-li přísavky řádně připevněny, vanový zvedák může prokluzovat.

- Před ukotvením vanového zvedáku vyčistěte vanu i přísavky pomocí vlhkého hadříku.
- Jakmile je vanový zvedák ukotven, neměňte jeho pozici ve vaně.

**VAROVÁNÍ!****Riziko zranění a poškození!**

- Vanový zvedák ukotvujete pouze do van, které splňují technické specifikace uvedené v následující tabulce.
- Pokud vana na bocích přetéká, použijte speciální boční klapky (k dispozici jako příslušenství).

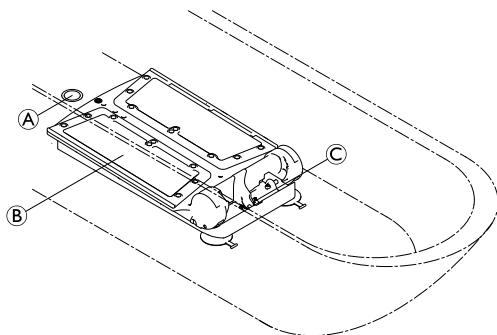


Ⓐ	Délka vany, dno	≥ 800 mm
Ⓑ	Šířka vany, dno (vnitřní rozměr)	≥ 280 mm
Ⓒ	Šířka vany ve výšce 80 mm (vnitřní rozměr)	≥ 430 mm

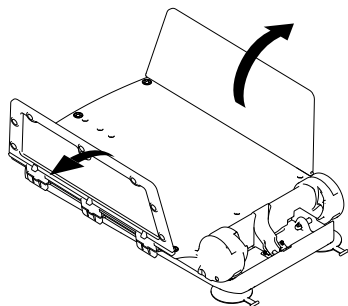
Ⓔ	Šířka vany (vnější rozměr)	580–690 mm (se speciálními bočními klapkami) 700–740 mm (se standardními bočními klapkami) 750–1000 mm (se speciálními bočními klapkami)
Ⓕ	Výška vany (vnitřní rozměr)	≤ 420 mm (s adaptérem výšky, max. + 60 mm)

**DŮLEŽITÉ!**

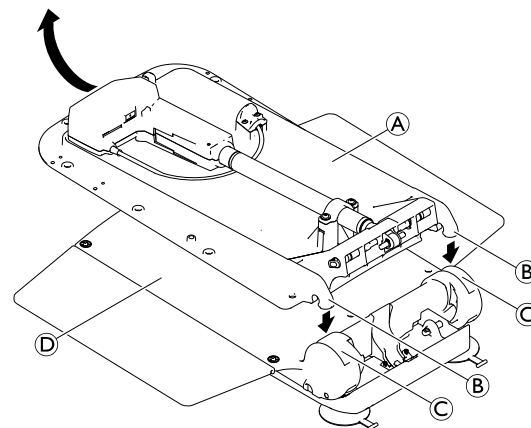
- Zkontrolujte, zda jsou přísavky namontovány správně.
- Ujistěte se, že baterie v ručním ovladači je nabitá.
- Zkontrolujte, zda se patka vřetena úplně zasunula.
- Při zvedání součástí vanového zvedáku nezapomeňte správně hodnotit hmotnosti – viz část 9.1 *Rozměry a hmotnost, strana 327*.
- Pokud je madlo namontované uvnitř vany, použijte sklápěč boční klapky (k dispozici jako příslušenství).
- Před skládáním opěradla vyklopte boční klapky sedadla směrem ven.



1. Umístěte sedadlo **B** na dno prázdné vany. Ujistěte se, že držák patky vřetena **C** míří k zadnímu konci vany, tedy ve směru od odtoku vody **A**.



2. Vyklopte boční klapky sedadla směrem ven.



3. Nasadte opěradlo **A** (bez ručního ovladače) na sedadlo tak, aby háky **B** na opěradle zapadly do závěsů **C** na desce sedadla **D**.

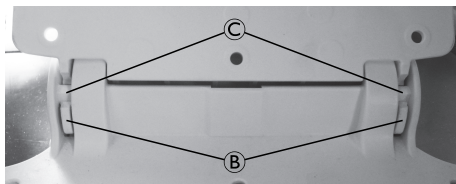


DŮLEŽITÉ!

Nebezpečí poškození

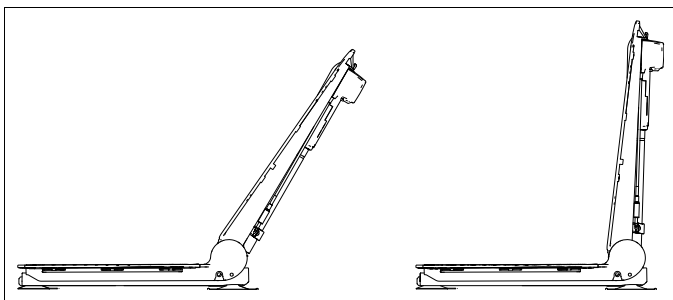
Poškození výrobku způsobené vyklouznutím patky vřetena.

- Před složením opěradla ověřte, zda je vřeteno zcela zasunuté a zda je jeho patka rovná a nepřekroucená.
- Jakmile opěradlo složíte, zkontrolujte, že se patka vřetena nachází v držáku patky vřetena.

**DŮLEŽITÉ!****Nebezpečí poškození**

Poškození výrobku kvůli nesprávnému složení opěradla.

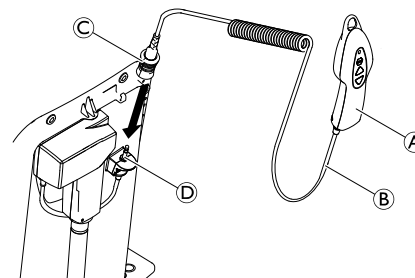
- Ověřte, zda jsou oba háky B na opěradle zajištěné v závěsech C desky sedadla.
- Ujistěte se, že se opěradlo skládá do horní koncové polohy bez nutnosti použít sílu a bez významného odporu. Koncová poloha je znázorněna na následujícím obrázku.



Orca / Orca XL

Orca F

4. Držte opěradlo za střed horní části a opatrně ho složte až do konečné polohy.



5. Připojte zdířku pro konektor s odjišťovacím pouzdem C na spirálovém kabelu B ručního ovladače A ke konektoru D, zajišťovací mechanismus se musí aktivovat.

**DŮLEŽITÉ!****Nebezpečí poškození**

- Ujistěte se, že se opěradlo nedotýká okraje vany.
- V případě potřeby přesuňte vanový zvedák blíže k přední části vany. Pokud chcete vanový zvedák přesunout vpřed ve vaně, spusťte vanový zvedák na dno, uvolněte přísavky a přesuňte vanový zvedák.

3.4 Nabíjení baterie

Vanový zvedák nelze použít, když se baterie nabíjí.



VAROVÁNÍ!

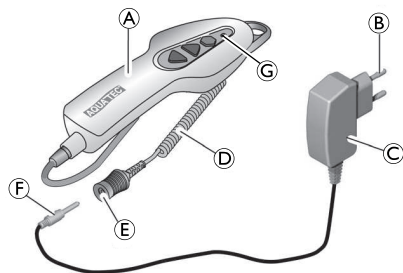
Riziko úrazu elektrickým proudem

- Baterii nabíjejte pouze v suchých místnostech při pokojové teplotě (15 až 25 °C). Nikdy ji nenabíjejte v koupelně.



DŮLEŽITÉ!

- K nabíjení baterie v ručním ovladači používejte pouze dodávanou nabíječku.
- Nabíječku připojte k elektrické síti, pouze když je ruční ovladač připojen k nabíječce.
- Zkontrolujte, zda napětí uvedené na nabíječce souhlasí s napětím v síti.



1. Vložte konektor ⑥ nabíječky ③ do zdíčky pro konektor ⑤ spirálového kabelu ④ ručního ovladače ①, musí se zajistit na svém místě.
2. Zastrčte zástrčku síťového kabelu ② nabíječky do elektrické zásuvky.



Červená kontrolka ⑦ na ručním ovladači zhasne, když bude baterie zcela nabitá. Baterii není možné „nadměrně“ nabít.

3. Vypojte nabíječku z elektrické zásuvky.
4. Vytáhněte konektor nabíječky ze zdíčky pro konektor v ručním ovladači.

4 Použití

4.1 Bezpečnostní informace



UPOZORNĚNÍ!

Přetížení zvedáče do vany může vést k poškození zařízení nebo bránit zvednutí.

- Zvedáč do vany nepřetěžujte a dodržujte specifikace na identifikačním štítku a v části 9.1 *Rozměry a hmotnost, strana 327*, kde je uvedena nosnost zařízení.



UPOZORNĚNÍ!

Nebezpečí přiskřípnutí prstů

- Nevkládejte prsty do vodiče mezi deskou sedadla a opěradlem.
- Nesahejte pod sedákovou desku ani mezi zdvihací nůžky.



DŮLEŽITÉ!

Do poškozeného ručního ovladače může proniknout vlhkost, která může způsobit vznik zkratu nebo požáru.

- Před každým použitím výrobek vizuálně zkontrolujte z hlediska vnějšího poškození.
- Pokud je plášť ručního ovladače poškozený nebo obsahuje trhliny, nepoužívejte ruční ovladač.
- Před každým použitím zcela nabijte baterii, 3.4 *Nabíjení baterie, strana 315*

1. Prostudujte si provozní podmínky v části 9.4 *Parametry prostředí, strana 328*

4.2 Ovládání vanového zvedáku

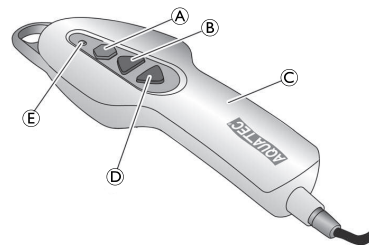
Vanovým zvedákem lze posouvat v následujících směrech:



Vanový zvedák může pomocí ručního ovladače řídit uživatel nebo asistent.



S plně nabitou baterií může model ORCA a ORCA F provést 5 koupání se zátěží 140 kg. Model ORCA XL je schopen provést 4 koupání se zátěží 170 kg.



DŮLEŽITÉ!

Nebezpečí poškození

- Ruční ovladač lze používat pouze po řádné instalaci opěradla do vzpřímené polohy.

! DŮLEŽITÉ!

Pokud není baterie v ručním ovladači © dostatečně nabitá, rozsvítí se po stisknutí tlačítka dolů Ⓓ červená kontrolka Ⓔ. V takovém případě je deaktivována funkce posunu vanového zvedáku dolů. Zvedák je však možné zvednout.
– Po zvednutí vanového zvedáku okamžitě dobijte baterii.

Zvýšení vanového zvedáku**! DŮLEŽITÉ!**

Je-li opěradlo sklopené, nejprve ho posuňte do vzpřímené pozice (ne u modelu ORCA F).

1. Stiskněte tlačítko „vzhůru“ Ⓑ na ručním ovladači a držte ho stisknuté.
Opěradlo se posune do vzpřímené pozice nebo se sedadlo posune vzhůru.
2. Uvolněte tlačítko „vzhůru“ na ručním ovladači.
Vanový zvedák se zastaví v aktuální pozici.

Snížení vanového zvedáku**! DŮLEŽITÉ!**

Pokud už je sedadlo sklopené, opěradlo se také sklopí dozadu (ne u modelu ORCA F).

1. Stiskněte tlačítko „dolů“ Ⓓ na ručním ovladači a držte ho stisknuté.
Sedadlo se posune dolů nebo se opěradlo sklopí dozadu.
2. Uvolněte tlačítko „dolů“ na ručním ovladači.
Vanový zvedák se zastaví v aktuální pozici.

Nouzové vypnutí**! DŮLEŽITÉ!**

Tlačítko nouzového vypnutí Ⓐ stiskněte pouze tehdy, když se zařízení okamžitě nezastaví po uvolnění tlačítka „vzhůru“ nebo „dolů“ (např. když se tlačítko zasekne). Pohyb vanového zvedáku se okamžitě zastaví a rozsvítí se červená kontrolka integrovaná do ručního ovladače.

Pokud po uvolnění tlačítka nouzového vypnutí zhasne červená kontrolka, chyba byla odstraněna (tj. tlačítko je opět uvolněné). Zařízení je připraveno k opětovnému použití.

Pokud po uvolnění tlačítka nouzového vypnutí červená kontrolka nadále svítí, chyba ještě nebyla odstraněna. Zařízení není připraveno k použití a je jej nutné opravit, např. v případě poškození elektroniky.



V případě potřeby se obraťte na specializovaného dodavatele.

4.3 Koupání**VAROVÁNÍ!****Nebezpečí prokluzování**

Nejsou-li přísavky řádně připevněny, vanový zvedák může prokluzovat.

- Před použitím vanového zvedáku zkontrolujte, že je bezpečně zajištěn a nemůže se převrhnout.
- Zkontrolujte, že je vanový zvedák ukotven ve vaně, → 3.3 *Umístění vanového zvedáku do vany, strana 312*

**VAROVÁNÍ!**

- Pokud váš stav nedovoluje, abyste se vykoupani sami, používejte zařízení výhradně pod dohledem.
- Pokud zařízení používáte bez dohledu, je třeba pro případ nepředvídatelných událostí (např. závad) mít nablízku poplašný systém nebo telefon.

**UPOZORNĚNÍ!**

- Koupelové oleje nebo soli mohou narušit výkon zvedacích nůžek.
- Pokud takové koupelové prostředky používáte, nepřekračujte doporučené dávkování.

**DŮLEŽITÉ!**

- Nejprve zvedák zvedněte a opět spusťte dolů bez zatížení (test funkčnosti).
- Před použitím zkontrolujte teplotu vody.

1. Stiskněte a držte tlačítko „vzhůru“ **(B)**, dokud nebude sedadlo ve stejné úrovni jako vana.
2. Dejte pozor, zda jsou boční klapky ve stejné úrovni jako sedadlo a rovně spočívají na okrajích vany.
3. Naplňte vanu vodou.
4. Posadte se do boční klapky, která je k vám blíže, jako byste seděli na židli.
5. Posouvejte se dozadu, až se dostanete doprostřed sedadla.
6. Zvedněte jednu a pak druhou nohu přes okraj vany a usaďte se v koupací pozici.

7. Jakmile sedíte stabilně, stiskněte tlačítko „dolů“ **(D)** a držte ho stisknuté, dokud se sedadlo nesníží až do vany.



Jakmile sedadlo dosáhne nejnižší polohy, lze opěradlo zaklonit podržením tlačítka „dolů“ **(D)**. Dosáhnete tím polohy, která je příjemnější pro koupání a umožní vám ponořit se hlouběji do vody (ne u modelu ORCA F).

8. Držte tlačítko „dolů“ stisknuté, dokud opěradlo nedosáhne požadované polohy.



Pro vyzvednutí zařízení z vany použijte opačný postup.

9. Pokud chcete zvednout opěradlo nebo vanový zvedák, stiskněte a podržte tlačítko „vzhůru“ **(B)**, dokud nebude sedadlo v úrovni okraje vany.

**DŮLEŽITÉ!**

- Pokud vanový zvedák nepoužíváte, odpojte ruční ovladač od zařízení. Informace naleznete v části 5.2 *Demontáž vanového zvedáku, strana 320* krok 3.

5 Přesun

5.1 Bezpečnostní informace



UPOZORNĚNÍ!

Když je opěradlo složeno na sedadle, není k němu pevně připojeno a může snadno upadnout.

- Při přepravě vanového zvedáku neodstraňujte přísavky.
- Před přepravou odpojte ruční ovladač od opěradla.
- Podmínky pro uskladnění a přepravu naleznete v části 9.4 *Parametry prostředí, strana 328*

1. Odpojte ruční ovladač.
2. Za účelem přepravy rozmontujte vanový zvedák na dvě části (sedadlo a opěradlo), → 5.2 *Demontáž vanového zvedáku, strana 320*

5.2 Demontáž vanového zvedáku

1. Vypusťte vodu z vany.
2. Pomocí tlačítka „dolů“ snižte vanový zvedák do polohy, ve které opěradlo zůstane sklopené ve spodní koncové poloze, → 4.2 *Ovládání vanového zvedáku, strana 317*

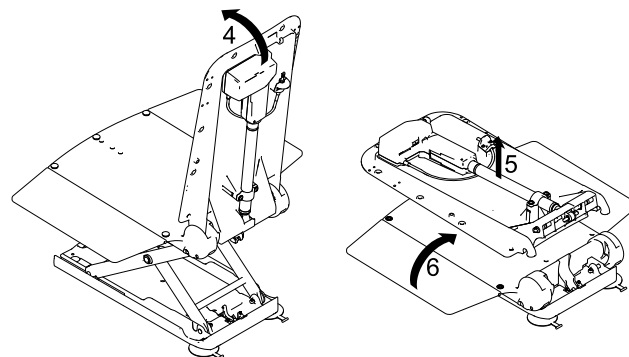
3. Odjistěte zdířku pro konektor na spirálovém kabelu ručního ovladače zatlačením odjišťovacího pouzdra nahoru a vytažením konektoru.



DŮLEŽITÉ!

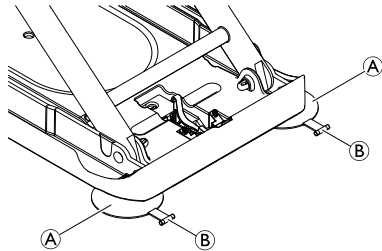
Nebezpečí poškození

- Při skládání opěradla zkontrolujte, že nedošlo k zachycení spirálového kabelu ručního ovladače.
- Je-li ve vaně voda, neskládejte opěradlo.



4. Držte opěradlo za horní konec jednou rukou a sklopte jej vpřed do konečné polohy.
5. Zvedněte opěradlo od sedadla a odstraňte ho z vany.

6. Sklopte boční klapky sedadla směrem dovnitř.



DŮLEŽITÉ!

– Obě přísavky uvolněte najednou.

7. Uvolněte zadní přísavku **A** zatažením za vyčnívající jazýček **B**.
8. Zvedněte zadní část sedadla. Tím se uvolní přední přísavky.



DŮLEŽITÉ!

– Pokud byl nainstalován adaptér výšky (volitelný), musíte zatáhnout za jazýčky předních přísavek, abyste je mohli uvolnit.

9. Odstraňte sedadlo z vany.
10. Opatrně odložte jednotlivé části vanového zvedáku stranou.

6 Údržba

6.1 Údržba a obsluha

Pokud budou dodržovány uvedené pokyny pro čištění a bezpečnost, bude údržba výrobku prováděna zdarma.

! DŮLEŽITÉ!

Ruční ovladač smí otevřít pouze výrobce vanového zvedáku.

1. Pravidelně výrobek kontrolujte, abyste odhalili případné poškození a ujistili se, že je bezpečně sestaven.
2. V případě, že je výrobek poškozen a/nebo je nutné jej opravit, okamžitě kontaktujte dodavatele.
3. Vanový zvedák musí před každým opakovaným použitím zkontrolovat autorizovaný dodavatel. Doporučuje se provést kontrolu vanového zvedáku nejpozději po 24 měsících (v souladu s normou EN ISO 10535).
4. Pokud se vanový zvedák delší dobu nepoužíval, nejprve plně nabijte baterii a pak nezatížený vanový zvedák 3krát posuňte vzhůru a dolů. Tento proces opakujte každé 3 měsíce, abyste zachovali dobu životnosti baterie.

6.2 Čištění a dezinfekce

Výrobek lze čistit a dezinfikovat pomocí komerčně dostupných čisticích prostředků.

1. Výrobek dezinfikujte tak, že nejprve dezinfekčním prostředkem otřete všechny přístupné povrchy (pokud je to možné, nejprve výrobek rozmontujte).

! DŮLEŽITÉ!

Všechny používané čisticí a dezinfekční prostředky spolu musejí být kompatibilní a musejí chránit materiály, které čistí.

- Další informace o dekontaminaci ve zdravotnickém prostředí naleznete v pokynech organizace „National Institute for Clinical Excellence“ pro prevenci šíření infekcí na adrese www.nice.org.uk/CG139 a v místních nařízeních pro kontrolu šíření infekcí.
- Výrobek pravidelně ručně čistěte.
- Nepoužívejte abrazivní čisticí prostředky.

Čištění sedadla a opěradla



UPOZORNĚNÍ!


Nebezpečí přiskřípnutí prstů

- Dávejte velký pozor při čištění oblasti u zvedacích nůžek, protože jejich případný pohyb by mohl způsobit zranění.

! DŮLEŽITÉ!

Nebezpečí poškození

- Při čištění opěradla nikdy nepoužívejte vysokotlaký čistič.

1. Očistěte výrobek pomocí hadříku nebo kartáčku.
2. Opláchněte výrobek teplou vodou.
3. Osušte ho hadříkem.
4. Opatrně promažte objímku pro kluznici (obr. kap. 3.2, ) pomocí vazelíny.

Čištění potahů (volitelné)



Doporučujeme vyprat potahy před prvním použitím. Z hygienických důvodů se doporučuje čistit potahy pravidelně a jednou za rok je vyměnit.

1. Odepněte potah ze sedadla a opěradla.
2. Potahy perte v pračce s jemným pracím prostředkem při maximální teplotě 60 °C.



DŮLEŽITÉ!

Nebezpečí poškození

- Praní při vyšších teplotách může vést k poškození nebo sražení potahů.
- Potahy nesušte v bubnové sušičce.

Čištění nabíječky a ručního ovladače



VAROVÁNÍ!

Riziko úrazu elektrickým proudem

- Před čištěním nabíječky vždy odpojte zástrčku z elektrické zásuvky.
- Do zdířky pro konektor ručního ovladače nikdy nevkládejte předměty z vodivých materiálů (např. pletací jehlice nebo kovové špendlíky).
- Při čištění nabíječky nikdy nepoužívejte mokry ani vlhký hadřík.

1. Nabíječku otřete suchým hadříkem.
2. Otřete ruční ovladač vlhkým hadříkem a osušte ho suchým hadříkem.

7 Po použití

7.1 Skladování



DŮLEŽITÉ!

Nebezpečí poškození

- Produkt neskladujte v blízkosti zdrojů tepla.
- Nevystavujte produkt přímému slunečnímu světlu.
- Informace o podmínkách během přepravy a skladování naleznete v části *9.4 Parametry prostředí, strana 328*

7.2 Opakované použití

Produkt je možné používat opětovně. Počet opětovných použití závisí na frekvenci a způsobu použití produktu. Před opětovným použitím by produkt měl podstoupit hygienickou přípravu (→ *6.2 Čištění a dezinfekce, strana 322*) a kontrolu, zda je ve vhodném a bezpečném provozním stavu. V případě potřeby jej nechte opravit.

7.3 Likvidace

Likvidace a recyklace použitých výrobků a balení musí být prováděna v souladu s platnými místními předpisy.



VAROVÁNÍ!

- Ruční ovladač nikdy nevhazujte do ohně ani ji neskladujte poblíž otevřeného ohně.

Povinnost oznámení v souladu s německou směrnicí o bateriích, BattG:

Součástí tohoto výrobku je dobíjecí lithium-iontová baterie. Vybité baterie nebo baterie, které již není možné nabít, není možné vyhazovat do běžného odpadu. Staré baterie mohou obsahovat nebezpečné látky, které by mohly představovat nebezpečí pro životní prostředí a zdraví veřejnosti.

Takové baterie odevzdejte svému prodejci nebo ve sběrném místě. Jejich odevzdání lze provést zdarma a je požadováno zákonem.

Vybité baterie vyhazujte pouze do nádob, které jsou k tomu určeny, a zakryjte póly lithiových baterií.

8 Odstraňování potíží

8.1 Identifikace a oprava závad



Následující tabulka poskytuje informace o závadách a jejich možných příčinách. Nedokážete-li závadu opravit pomocí uvedených prostředků, obraťte se přímo na dodavatele.

Závada	Možná příčina	Náprava
Není slyšet zvuk motoru / zvedák se nehýbe.	Zdířka pro konektor ručního ovladače není správně připojena.	Připojte zdířku pro konektor, → 3.3 <i>Umístění vanového zvedáku do vany, strana 312</i>
	Baterie je vybitá.	Baterii plně nabijte, → 3.4 <i>Nabíjení baterie, strana 315</i>
	Kontakty jsou znečištěné.	Vyčistěte konektor na opěradle → v případě potřeby kontaktujte dodavatele.
	Kabel je rozdrčen/poškozen.	Vyměňte ruční ovladač → v případě potřeby kontaktujte dodavatele.
Zvedák lze posunout vzhůru, ale ne dolů.	Je aktivována ochrana nízkého napětí.	Baterii plně nabijte, → 3.4 <i>Nabíjení baterie, strana 315</i>
Zvedák se při pohybu vzhůru zastaví.	Nadměrné zatížení.	Respektujte limit zatížení, → 9.1 <i>Rozměry a hmotnost, strana 327</i>
Vanový zvedák nedosedá bezpečně na vanu.	Přísavky jsou staré nebo poškozené.	Vyměňte přísavky → v případě potřeby kontaktujte dodavatele.
Baterie se nenabíjí a během nabíjení pořád bliká červená kontrolka.	Chyba elektroniky.	Požádejte svého autorizovaného dodavatele, ať ruční ovladač zkontroluje.
	Vadná baterie.	Vyměňte ruční ovladač.

Závada	Možná příčina	Náprava
	Vadná nabíječka.	Požádejte svého autorizovaného dodavatele, ať nabíječku zkontroluje.
	Baterie je příliš horká.	Nenabíjejte ruční ovladač poblíž zdrojů tepla, např. topných prvků, nebo na přímém slunci. Nabíjení bude automaticky pokračovat, když teplota poklesne do povoleného rozmezí.

9 Technické Údaje

9.1 Rozměry a hmotnost

Celková délka v nejnižší poloze	920 mm
Celková délka v nejvyšší poloze	650 mm
Celková výška v nejvyšší poloze	1075 mm
Délka sedadla	590 mm
Šířka sedadla s odklopenými bočními klapkami	715 mm
Šířka sedadla s přiklopenými bočními klapkami	390 mm
Výška sedadla v nejnižší poloze	60 mm
Výška sedadla v nejvyšší poloze	420 mm
Šířka opěradla	360 mm
Minimální úhel opěradla	8°
Šířka základní desky	295 mm
Maximální zátěž (ORCA / ORCA F)	140 kg
Maximální zátěž (ORCA XL)	170 kg
Celková hmotnost bez ručního ovladače (ORCA)	10,8 kg
(ORCA F)	11,4 kg
(ORCA XL)	11,6 kg

Hmotnost sedadla (ORCA) (ORCA F) (ORCA XL)	6,6 kg 7,2 kg 7,4 kg
Hmotnost opěradla (ORCA / ORCA F / ORCA XL)	4,2 kg
Hmotnost ručního ovladače	0,4 kg
Hmotnost nabíječky	0,1 kg

9.2 Elektronické údaje

Aktivační síla pro tlačítka na ručním ovladači	< 5 N
Provozní napětí ručního ovladače ¹⁾	10,8 V DC / 14 V DC
Jmenovitý příkon ¹⁾	43 VA / 56 VA
Jmenovitý proud	4 A
Typ baterie	Lithium-iontová
Vstupní napětí nabíječky	100-240 V AC, 50-60 Hz
Výstupní napětí nabíječky	24 V DC, max. 135 mA, 3 VA
Doba nabíjení od momentu výstrahy nízkého napětí	přibližně 4,5 h
Typ ochrany, pohon	IP X6 W ²⁾
Typ ochrany, ruční ovladač	IP 67 ³⁾

Typ ochrany, celé zařízení	IP X6 ⁴⁾
Hladina akustického výkonu	52 dB(A)

Ovládací zařízení se nevypne, když je výrobek přetížen. Nepřetěžujte vanový zvedák, aby nedošlo k poškození.

¹⁾ 10,8 V DC / 43 VA platí při použití ručních ovladačů s napětím 10,8 V uvedeným na zadní části ručního ovladače. 14 V DC / 56 VA platí při použití ručních ovladačů s napětím 14 V uvedeným na zadní části ručního ovladače.

²⁾ Chráněné proti vniknutí vody v případě silného proudu vody, testováno za vyhrazených podmínek.

³⁾ Prachotěsné a chráněné pro vniknutí vody při dočasném ponoření.

⁴⁾ Chráněné proti vniknutí vody v případě silného proudu vody.

9.3 Materiály

Opěradlo	PPGF
Deska sedadla	PPGF
Potahy	PVC



Všechny použité materiály jsou odolné vůči korozi a neobsahují latex.

9.4 Parametry prostředí

Provozní podmínky	
Okolní teplota	10–40 °C

Relativní vlhkost	15 % – 93 %, nekondenzující
Atmosférický tlak	795–1 060 hPa
Podmínky při uskladnění a přepravě	
Okolní teplota	0–40 °C
Relativní vlhkost	30 % – 75 %, nekondenzující
Atmosférický tlak	795–1 060 hPa

10 Elektromagnetická kompatibilita (EMC)

10.1 Všeobecné informace o EMC

Zdravotnická elektrická zařízení je nutné sestavovat a používat v souladu s informacemi o elektromagnetické kompatibilitě uvedenými v tomto návodu.

Tento výrobek byl testován a shledán jako vyhovující z hlediska limitů pro elektromagnetickou kompatibilitu podle normy IEC/EN 60601-1-2 pro zařízení třídy B.

Funkčnost tohoto produktu může být ovlivněna přenosnými a mobilními radiofrekvenčními komunikačními přístroji.

Jiná zařízení mohou být rušena i elektromagnetickými emisemi o nízkých hodnotách povolenými výše uvedenou normou. Chcete-li zjistit, zda emise z tohoto výrobku způsobují rušení, tento výrobek střídavě zapněte a vypněte. Pokud provoz druhého zařízení přestane být rušen, příčinou daného rušení je tento výrobek. V těchto vzácných případech je možné rušení snížit nebo odstranit pomocí následujících opatření:

- Zajistěte větší rozestup mezi zařízeními.

10.2 Elektromagnetické emise

Pokyny a prohlášení výrobce

Tento produkt je určen pro použití v níže upřesněném elektromagnetickém prostředí. Zákazník nebo uživatel tohoto produktu by se měl ujistit, že je produkt v takovém prostředí používán.

Emisní test	Soulad s předpisy	Elektromagnetické prostředí – pokyny
RF (radiofrekvenční) emise CISPR 11	Skupina I	Tento produkt využívá radiofrekvenční energii pouze pro své vnitřní funkce. Proto jsou jeho radiofrekvenční emise velmi nízké a pravděpodobně nemají žádný vliv na okolní elektronické vybavení.
RF (radiofrekvenční) emise CISPR 11	Třída B	Tento produkt je vhodný k použití ve všech prostředích, včetně domácího prostředí a prostředí přímo napojeného na veřejnou rozvodnou síť nízkého napětí, která zásobuje budovy určené pro obytné účely.


Harmonické emise IEC 61000-3-2	Třída A	
Kolísání napětí / kmitavé emise IEC 61000-3-3	Vyhovuje	

10.3 Elektromagnetická odolnost

Pokyny a prohlášení výrobce

Tento produkt je určen pro použití v níže upřesněném elektromagnetickém prostředí. Zákazník nebo uživatel tohoto produktu by se měl ujistit, že je produkt v takovém prostředí používán.

Test odolnosti	Test / stupeň kompatibility	Elektromagnetické prostředí – pokyny
Elektrostatický výboj (ESD) IEC 61000-4-2	± 8 kV kontakt ± 2 kV, ± 4 kV, ± 8 kV, 15 kV vzduch	Výrobek by měl být používán na dřevěných či betonových podlahách nebo na keramické dlažbě. Pokud jsou podlahy vyrobeny ze syntetického materiálu, relativní vlhkost by měla být nejméně 30 %.
Elektrostatické přechodné/výbojové jevy IEC 61000-4-4	± 2 kV pro napájecí vedení; 100 kHz obnovovací frekvence ± 1 kV pro vstupní/výstupní vedení; 100 kHz obnovovací frekvence	Kvalita síťového napájení musí odpovídat typickému komerčnímu nebo nemocničnímu prostředí.
Přepětí IEC 61000-4-5	± 1 kV mezi vodiči ± 2 kV mezi vodiči	Kvalita síťového napájení musí odpovídat typickému komerčnímu nebo nemocničnímu prostředí.

Test odolnosti	Test / stupeň kompatibility	Elektromagnetické prostředí – pokyny
Poklesy, krátkodobá přerušování a výkyvy napětí na vstupním napájecím vedení IEC 61000-4-11	$< 0 \% U_T$ pro 0,5 cyklu při 45° krocích $0 \% U_T$ pro 1 cyklus $70 \% U_T$ pro 25/30 cyklů $< 5 \% U_T$ pro 250/300 cyklů	Kvalita síťového napájení musí odpovídat typickému komerčnímu nebo nemocničnímu prostředí. Pokud uživatel potřebuje tento výrobek používat během výpadků elektrického proudu, doporučujeme ho napájet pomocí nepřerušitelného zdroje napájení nebo z baterie. U_T je běžné síťové napětí před použitím testovací úrovně.
Magnetické pole se síťovou frekvencí (50/60 Hz) IEC 61000-4-8	30 A/m	Magnetická pole se síťovou frekvencí musejí odpovídat úrovni charakteristické pro typické umístění v typickém komerčním nebo nemocničním prostředí.
Vedená radiofrekvenční energie IEC 61000-4-6	3 V 150 kHz až 80 MHz 6 V v ISM a v pásmech pro radioamatéry	Intenzitu elektrického pole pevných vysílačů, jako jsou základnové stanice pro rádiové (mobilní/bezdrátové) telefony a pozemní mobilní rádia, amatérská rádia, rozhlasové AM a FM stanice a televizní vysílání, nelze teoreticky přesně předpovědět. Pro posouzení elektromagnetického prostředí s ohledem na pevné radiofrekvenční vysílače by se mělo zvážit provedení místního elektromagnetického průzkumu. Překračuje-li naměřená intenzita elektrického pole v místě používání tohoto výrobku výše zmíněnou použitelnou úroveň radiofrekvenční shody, je třeba sledováním ověřit, zda výrobek funguje normálně. Zaznamenáte-li nenormální funkci, bude nutno provést dodatečná opatření, jako například otočení či přesunutí tohoto výrobku. Rušení se může objevit v blízkosti zařízení označeného následujícím symbolem: 

Test odolnosti	Test / stupeň kompatibility	Elektromagnetické prostředí – pokyny
Vyzařovaná radiofrekvenční (RF) energie IEC 61000-4-3	10 V/m 80 MHz až 2,7 GHz Parametry testu 385 MHz – 5785 MHz pro odolnost vůči RF bezdrátovým komunikačním zařízením odpovídá údajům uvedeným v tabulce 9 normy IEC 60601-1-2:2014.	Přenosné a mobilní RF komunikační zařízení se nemá používat ve vzdálenosti do 30 cm od jakékoli součásti tohoto výrobku, včetně kabelů.



Tyto pokyny neplatí pro veškeré situace. Šíření elektromagnetických vln je ovlivněno absorpcí a odrazem od konstrukcí, objektů a osob.

Invacare® distributors

Belgium & Luxemburg:

Invacare nv
Autobaan 22
B-8210 Loppem
Tel: (32) (0)50 83 10 10
Fax: (32) (0)50 83 10 11
belgium@invacare.com
www.invacare.be

Danmark:

Invacare A/S
Sdr. Ringvej 37
DK-2605 Brøndby
Tel: (45) (0)36 90 00 00
Fax: (45) (0)36 90 00 01
denmark@invacare.com
www.invacare.dk

Deutschland:

Invacare GmbH,
Alemannenstraße 10
D-88316 Isny
Tel: (49) (0)7562 700 0
Fax: (49) (0)7562 700 16
kontakt@invacare.com
www.invacare.de

Eastern Europe, Middle East & CIS:

Invacare EU Export
Kleiststraße 49
D-32457 Porta Westfalica /
Germany
Tel: (49) (0)57 31 754 540
Fax: (49) (0)57 31 754 541
webinfo-eu-export@invacare.com
www.invacare-eu-export.com

España:

Invacare SA
c/Areny s/n, Polígono Industrial de
Celrà
E-17460 Celrà (Girona)
Tel: (34) (0)972 49 32 00
Fax: (34) (0)972 49 32 20
contactsp@invacare.com
www.invacare.es

France:

Invacare Poirier SAS
Route de St Roch
F-37230 Fondettes
Tel: (33) (0)2 47 62 64 66
Fax: (33) (0)2 47 42 12 24
contactfr@invacare.com
www.invacare.fr

Ireland:

Invacare Ireland Ltd,
Unit 5 Seatown Business Campus
Seatown Road, Swords, County
Dublin
Tel : (353) 1 810 7084
Fax: (353) 1 810 7085
ireland@invacare.com
www.invacare.ie

Italia:

Invacare Mecc San s.r.l.,
Via dei Pini 62,
I-36016 Thiene (VI)
Tel: (39) 0445 38 00 59
Fax: (39) 0445 38 00 34
italia@invacare.com
www.invacare.it

Nederland:

Invacare BV
Galvanistraat 14-3
NL-6716 AE Ede
Tel: (31) (0)318 695 757
Fax: (31) (0)318 695 758
nederland@invacare.com
www.invacare.nl

Norge:

Invacare AS
Grensesvingen 9, Postboks 6230,
Etterstad
N-0603 Oslo
Tel: (47) (0)22 57 95 00
Fax: (47) (0)22 57 95 01
norway@invacare.com
www.invacare.no

Österreich:

Invacare Austria GmbH
Herzog Odilostrasse 101
A-5310 Mondsee
Tel: (43) 6232 5535 0
Fax: (43) 6232 5535 4
info-austria@invacare.com
www.invacare.at

Portugal:

Invacare Lda
Rua Estrada Velha, 949
P-4465-784 Leça do Balio
Tel: (351) (0)225 1059 46/47
Fax: (351) (0)225 1057 39
portugal@invacare.com
www.invacare.pt

United Kingdom:

Invacare Limited
Pencoed Technology Park, Pencoed
Bridgend CF35 5AQ
Tel: (44) (0) 1656 776 222
Fax: (44) (0) 1656 776 220
uk@invacare.com
www.invacare.co.uk

Schweiz / Suisse / Svizzera:

Invacare AG
Benkenstrasse 260
CH-4108 Witterswil
Tel: (41) (0)61 487 70 80
Fax: (41) (0)61 487 70 81
switzerland@invacare.com
www.invacare.ch

New Zealand:

Invacare New Zealand Ltd
4 Westfield Place, Mt Wellington
1060
New Zealand
Phone: 0800 468 222
Fax: 0800 807 788
sales@invacare.co.nz
www.invacare.co.nz

Sverige:

Invacare AB
Fagerstagatan 9
S-163 53 Spånga
Tel: (46) (0)8 761 70 90
Fax: (46) (0)8 761 81 08
sweden@invacare.com
www.invacare.se

Australia:

Invacare Australia PTY. Ltd.
1 Lenton Place, North Rocks NSW
2151
Australia
Phone: 1800 460 460
Fax: 1800 814 367
orders@invacare.com.au
www.invacare.com.au



Aquatec Operations GmbH
Alemannenstrasse 10
D-88316 Isny
Germany



1574469-C 2018-04-16



Making Life's Experiences Possible®

Yes, you can.®