

Safety

- The footstool is only suitable for one user at a time, and should only be used to support the legs. Do not sit on the footstool or use it in any other way to support your weight.
- Position your feet or calves of your legs centrally on the cushion. Failure to do so could make the footstool unstable.
- Carelessness causes fire. Keep away from cigarettes, matches and other ignition sources.
- Ensure that the tristar knobs are sufficiently tightened to prevent involuntary tilting of the footstool cushion.

Care and Maintenance

- The frame of the footstool may be cleaned with a cloth and mild detergent or household polish.
- The cushion should be treated as upholstery and is specially cleaned.

Specification

- Frame (W x L): 40 x 49cm / 15.5" x 19.5"
- Cushion (L x W): 30 x 40cm / 12" x 16"
- Cushion height: 39 - 52cm / 15.5" 20.5"
- Total weight: 3.4 kg / 7lb

Warranty Details

Your Drive Devilbiss brand product is warranted to be free of defects in materials and workmanship for one year from date of purchase.

This device was built to exacting standards and carefully inspected prior to shipment. This warranty is an expression of our confidence in the materials and workmanship of our products and our assurance to the customer.

In the event of a defect covered by this warranty, we will at our option supply parts or replace the device.

This warranty does not cover device failure due to owner misuse or negligence, or normal wear and tear. The warranty does not extend to non-durable components, such as rubber accessories, castors and grips, which are subject to normal wear and need periodic replacement.

If you have any queries or require full warranty conditions, please contact your Drive DeVilbiss stockist

This does not affect your statutory rights.



Drive DeVilbiss Healthcare Ltd,
Whitehall 26 Business Park, Birkenshaw,
West Yorkshire, GB BD11 2HW

www.drivedevilbiss.co.uk

issued 12/16

Foot Stool

DeVilbiss
HEALTHCARE

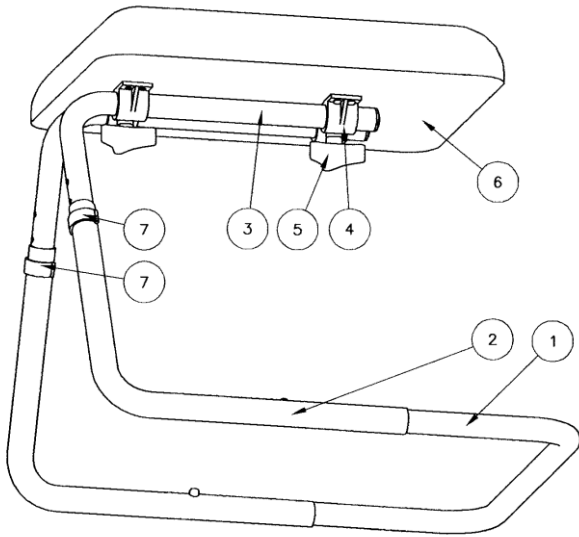
drive

www.drivedevilbiss.co.uk

Specification

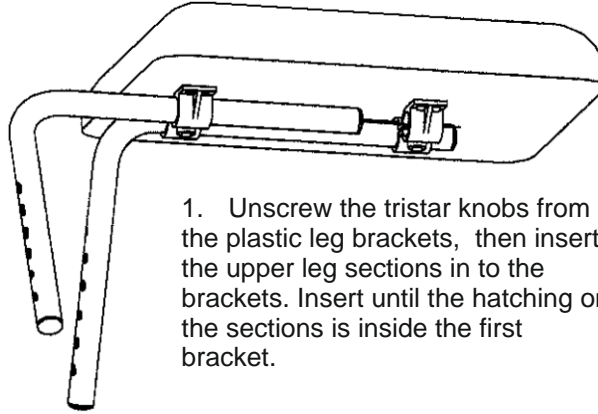
The footstool is ideal for resting tired legs, feet and ankles anywhere in the house. The footstool has a strong tubular steel framework with a comfortable padded cushion in chenille fabric. The footstool is height and angle adjustable for optimum comfort and is put together in minutes, without the use of any tools.

Parts Description

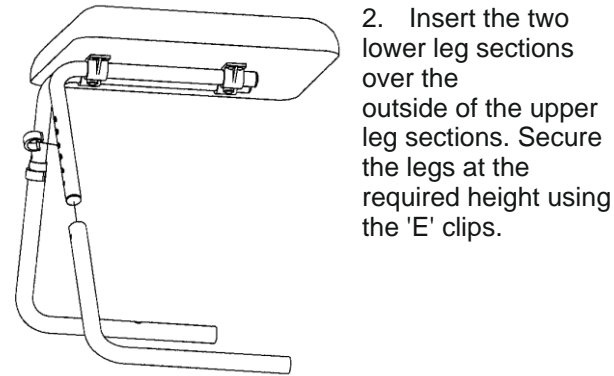


- | | |
|------------------------|----------------------|
| 1. Base section | 5. Tristar knob |
| 2. Lower leg section | 6. Footstool cushion |
| 3. Upper leg section | 7. 'E' Clip |
| 4. Plastic leg bracket | |

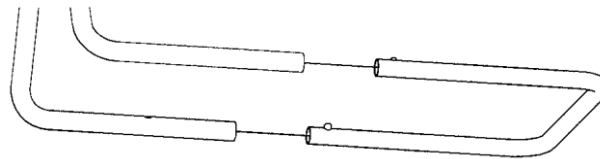
Assembly Instructions



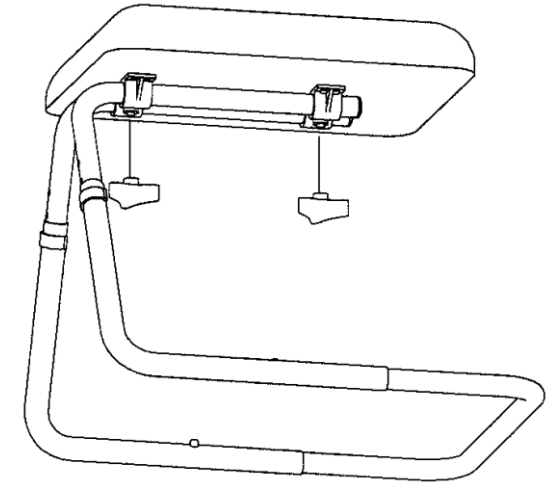
1. Unscrew the tristar knobs from the plastic leg brackets, then insert the upper leg sections in to the brackets. Insert until the hatching on the sections is inside the first bracket.



2. Insert the two lower leg sections over the outside of the upper leg sections. Secure the legs at the required height using the 'E' clips.



3. Alter the angles of the leg sections so the base section can slide in them. Slide the base section in until the 2 brass buttons push up, locking the frame together.



4. Tilt the footstool cushion to the desired angle then secure by screwing the two tristar knobs in to the plastic leg brackets. Ensure that the tristar knobs are sufficiently tightened to prevent involuntary tilting of the footstool cushion.

Adjustments

To alter the height of the cushion:

1. Loosen the tristar knobs and pull out the 'E' clips.
2. Reposition the upper leg sections until the cushion is at the required height. There are a number of holes available for different heights.
3. Replace the 'E' clips.

4. Retighten the tristar knobs.

To alter the angle of the cushion:

1. Loosen the tristar knobs and pull out the 'E' clips.
2. Tilt the cushion to the required angle then retighten the tristar knobs.