

Guideline & checklist

Installation of the Wall Cover for S-CAPEPLUS Evacuation Mattresses

4 installation holes on the backside of the Wall Cover



Wall plugs

4x



Screws

4x



Metal rings

8x



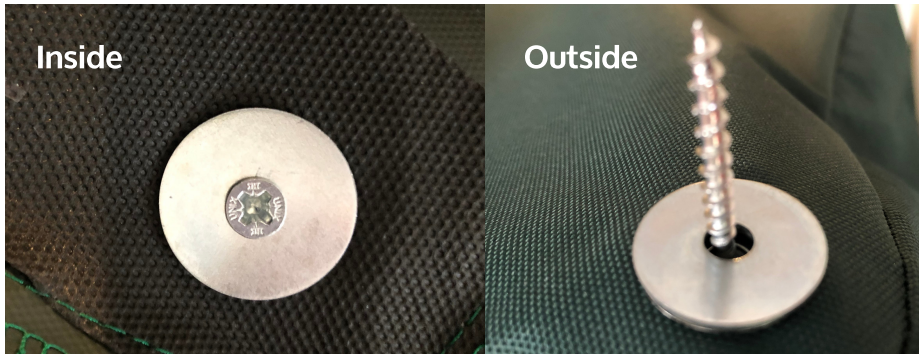
Pre-Installation

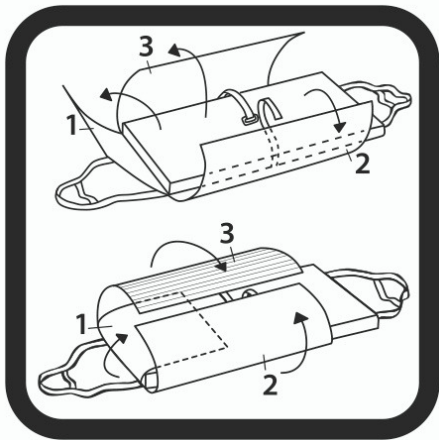
1. Assess and determine the best place to install the S-CAPEPLUS Evacuation Mattress. Check and make sure that the desired installation spot is suitable. Ensure that you don't drill through water pipes or wires.
2. The distance between the installation holes on the backside of the Wall Cover is 5400 mm (horizontal) and 7650 mm (vertical). Always double check the distances using a tape measure.
3. Mark out the place where the wall plugs need to go. Use a straight edge. It is recommended to install the Wall Cover 30cm-90 cm from the floor. Ensure that the operator doesn't need to lift the Evacuation Mattress from a height that is too high.
4. Drill the holes on the marked positions. Place the wall plugs in the holes (picture 1).
5. Place one metal ring on the outside of each installation hole and one metal ring on the inside of each installation hole (picture 2).
6. Now use the screw to go through the metal rings and the installation hole. Insert the 4 screws in the 4 plugs and tighten.
7. The Wall Cover is now fixated to the wall. You can place the S-CAPEPLUS Evacuation Mat inside the Wall Cover.

Picture 1. Wall plug in pre-drilled hole

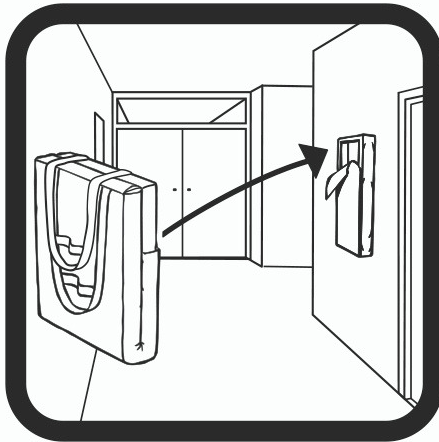


Picture 2. Metal ring on the inside and outside of the installation holes

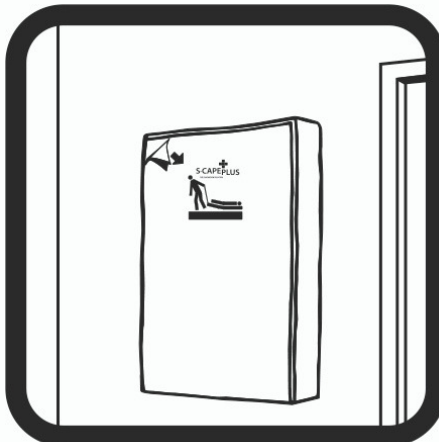




Open up the S-CAPEPLUS Evacuation Mattress and open the flaps. Now close the flaps and make sure that the hook and loop fasteners are not fixated to each other. This reduces the setup time in an emergency, because the S-CAPEPLUS will immediately be open after releasing it from the Wall Cover.



Now fold the S-CAPEPLUS in half and place it inside the Wall Cover. Make sure that the pulling straps hang on the opening side of the Wall Cover. You can now quickly remove the mat from the Wall Cover in an emergency.



The S-CAPEPLUS is now safely stored on the wall and ready for use in seconds.





Optional: Photoluminescent Sign to highlight the location of the S-CAPEPLUS Evacuation Mattress. It can be placed above the Wall Cover to increase visibility.

This Wall Cover is mounted to the wall in the correct way.