

Molift Partner 255

molift[®]
by Etac

EN - User manual

IT - Manual utente

DE - Gebrauchsanweisung

FR - Manual d'utilisation

NO - Brukermanual

ES - Manual de usuario

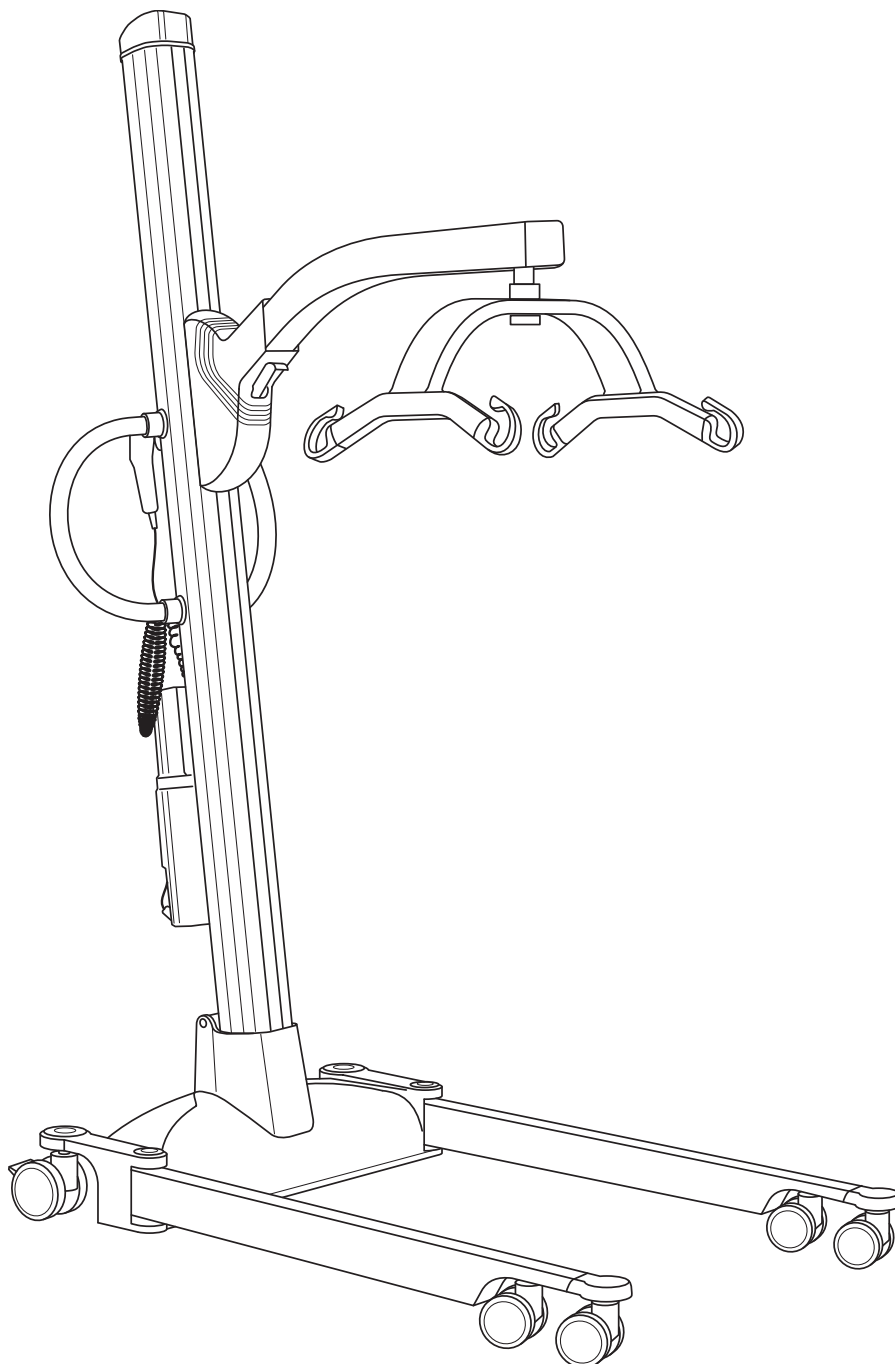
SV - Bruksanvisning

NL - Handleiding

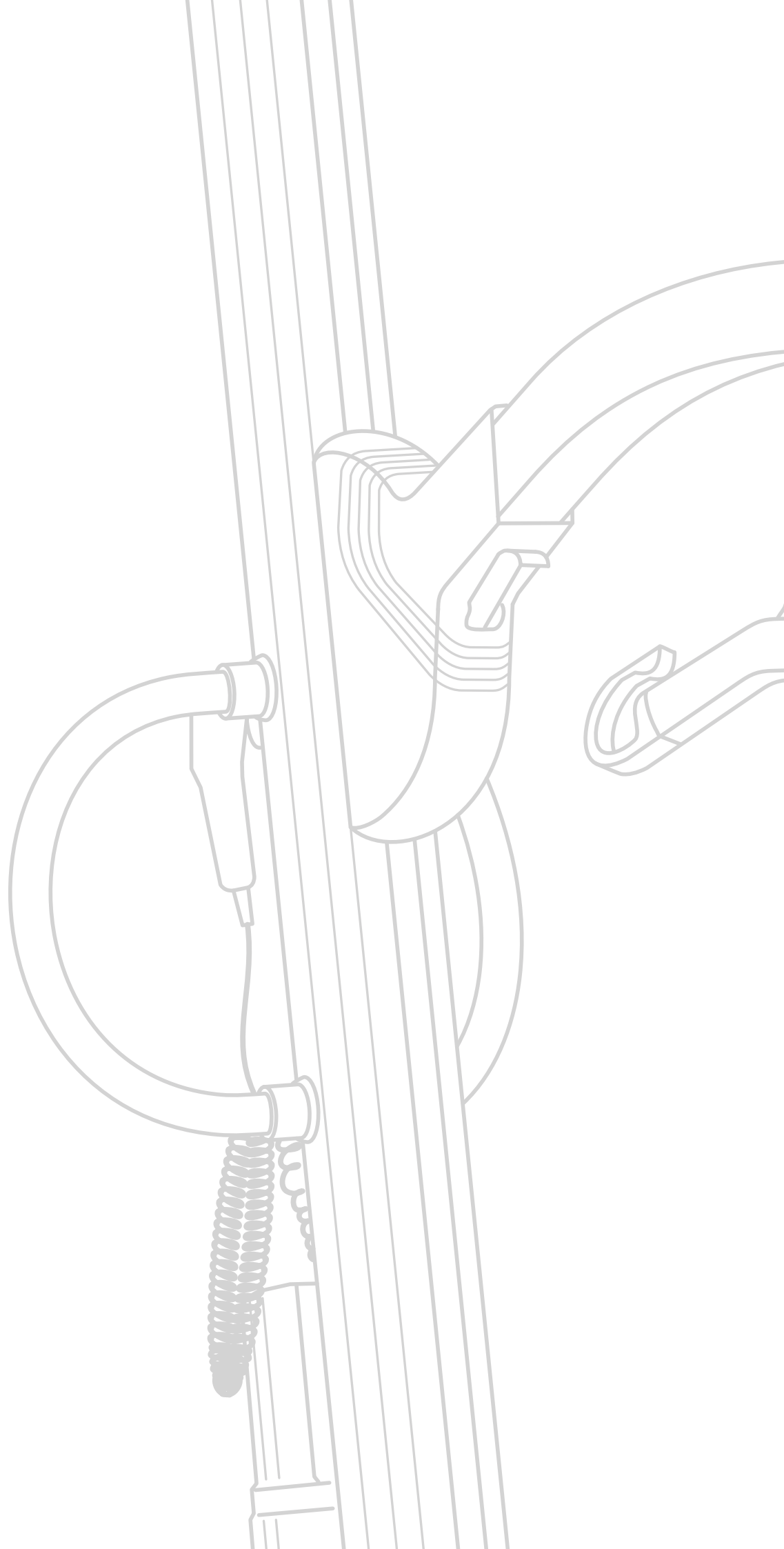
FI - Käyttöohje

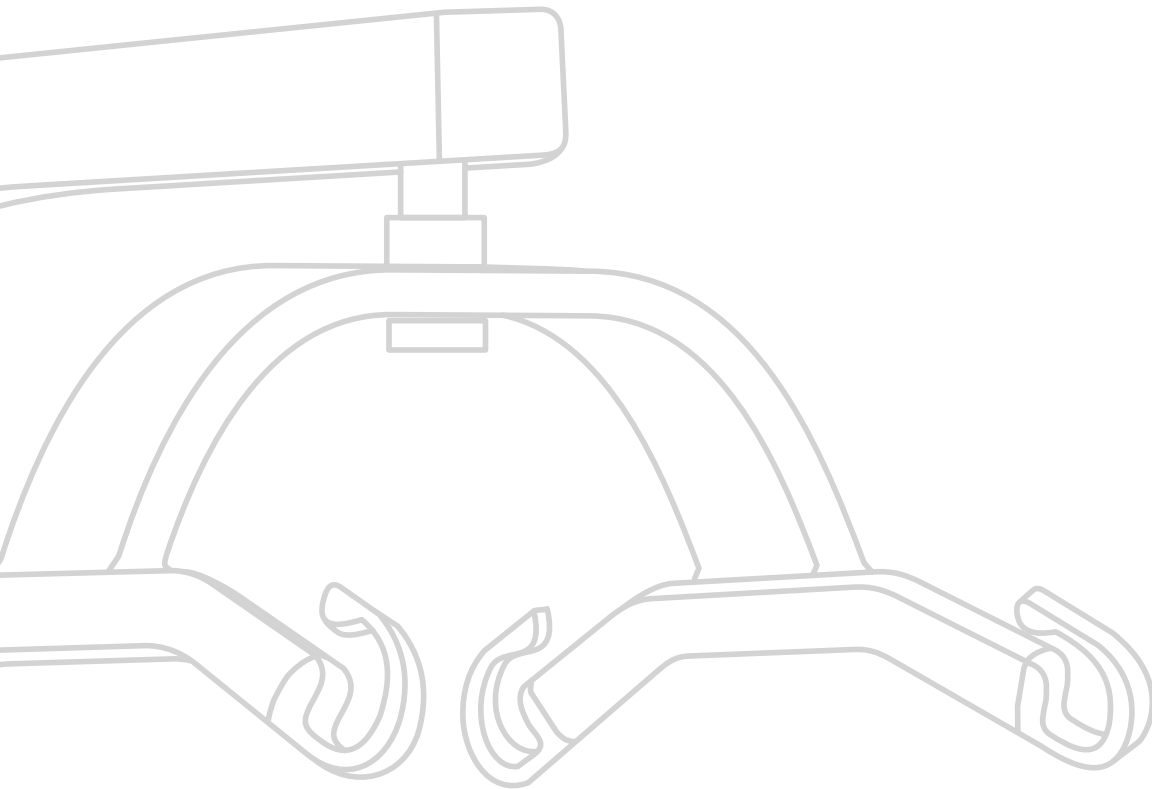
DK - Brugsvejledning

BM03199 Rev B 2021-06-14



MD
CE





Contents

User manual - English - 4
Gebrauchsanweisung - Deutsch - 18
Brukermanual - Norsk - 32
Bruksanvisning - Svenska - 46
Käyttöohje - Suomi - 60
Manual utente - Italiano - 74
Manual d`utilisation - Francais - 88
Manual de usuario - Español - 102
Handleiding - Nederlands - 116
Brugsvejledning - Dansk - 130

English Manual

Important

This User Manual contains important safety instructions and information regarding the use of the lifter and accessories.

In this manual the user is the person being lifted.
The assistant is the person operating the lifter.



Warning!
This symbol indicates important information related to safety. Follow these instructions carefully.

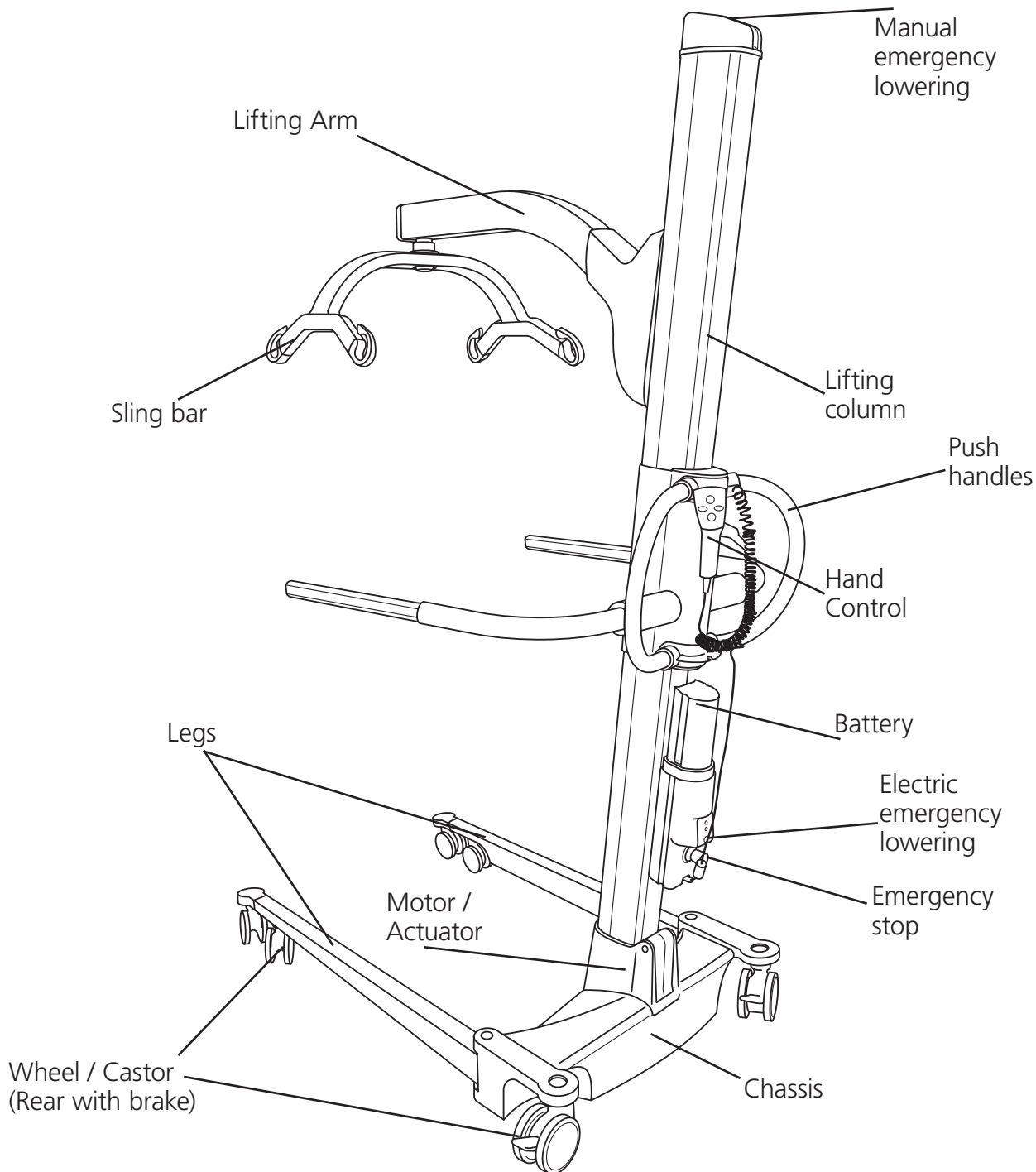


Read User Manual before use!
It is important to fully understand the content of the user manual before attempting to use the equipment.

Visit www.etac.com for download of documentation to ensure you have the latest version.

Molift Partner 255

Lifter components:




About Molift Partner 255

Molift Partner 255 provides an ideal solution for hoisting with high complexity situations in acute and critical care areas in both hospitals and care facilities. With an excellent hoisting range: 37–179 cm (14.5–70.4") the Molift Partner 255 allows easy hoisting from the floor as well as high surfaces. The straight vertical column in combination with the fixed suspension provides excellent stability

and maintains the user at a good distance from the column. With a total weight of 42.5 kg (94 lbs) Molift Partner 255 is one of the lightest in its category. Combined with excellent construction design and wheel solution it becomes very easy to manoeuvre with a safe working load of 255 kg (562 lbs). Equipped with environmentally friendly NiMh-battery.

General


	<p>CE declaration</p> <p>The product, and its related accessories, described in this instruction for use (IFU), is in compliance with the regulation (EU) 2017/745 of 5. April 2017 – as a medical device, risk class I. The product has been tested and approved by a third party according to standards IEC 60601-1, IEC 60601-1-2 and EN/ISO 10535:2006.</p> <p>Any serious incident that occurs in relation to the device should be reported to the manufacturer and the competent authority of the Member State in which the user and/or patient is established.</p>
---	--

Conditions for Use

Lift and transfer of a person will always pose a certain risk and only trained personnel are allowed to use the equipment and accessories covered by this user manual.

Modifications and use of components made by other manufacturers.

We recommend only using Molift components and spare parts. Declaration of conformity is not valid and Etac is not responsible for warranty if any modifications are made to the product. Etac shall not be liable for faults or accidents that can occur when using components made by other manufacturers.

	<p>Only certified personnel are allowed to open lifter or accessories to perform service or repair. Risk of injury from rotating parts and electric shock.</p>
--	---


The lifter is not intended to be operated by the person being lifted.

<p>Warranty notice</p> <p>Two-year warranty against defects in workmanship and materials of our products. One-year warranty for batteries. Please refer to www.etac.com for terms and conditions.</p>
--

Product identification


Product label


The Product labels barcode contain article number, serial number and production date.





Partner 255


Gross weight 298kg / 657lbs
SWL 255kg / 562lbs
26.4V DC, IP24
Duty cycle 10%
















(01)XXXXXXXXXXXXXXXX(11)XXXXXXXX(21)XXXXXX

Etac A/S
Parallelvej 3
DK-8751 Gedved
www.etac.com



























- | | | | |
|---|---------------------------------|---|-------------------------|
|  | Type BF applied part |  | Battery light |
|  | CE marked |  | Certification body mark |
|  | Refer to user manual |  | Manufacturer |
|  | Indoor use only |  | Date of manufacture |
|  | Do not dispose in general waste |  | Catalogue number |
|  | Emergency lowering |  | Serial number |
|  | Service light |  | Medical Device |

Warning labels and Symbols

Symbols used on the product, explained in more detail:

Technical Data

Safe Working Load (SWL)

255 kg (562 lbs)

Weight of unit

Excl. battery and sling bar:

38.3 kg/84.4 lbs

Chassis: 20 kg/44 lbs

Lifting column: 15 kg/33 lbs

Lifting arm: 3.3 kg / 7.3 lbs

Battery: 1,6 kg/3,5 lbs

4-point Large sling bar: 3.5 kg/7.7 lbs

Battery:

Art: 1341000

26.4 V NiMH 2.6 Ah

Battery charger:

100-240 V AC, 50-60 Hz

0,9 A output

Lifting speed

42.9mm/second (1.69 inches/second)

with 75kg (165 lbs) load

Protection class

Hand control IP24

Lift motor IP24

Maximum A-weighted sound power level

$L_{WA} = 49,4$ dB

Operating forces button

Buttons on handset: 3.4 N

Material:

Aluminum, Plastic

Motor

Lifting motor/actuator: 24 V DC

Leg spreading motor: 12 V DC

Turning diameter:

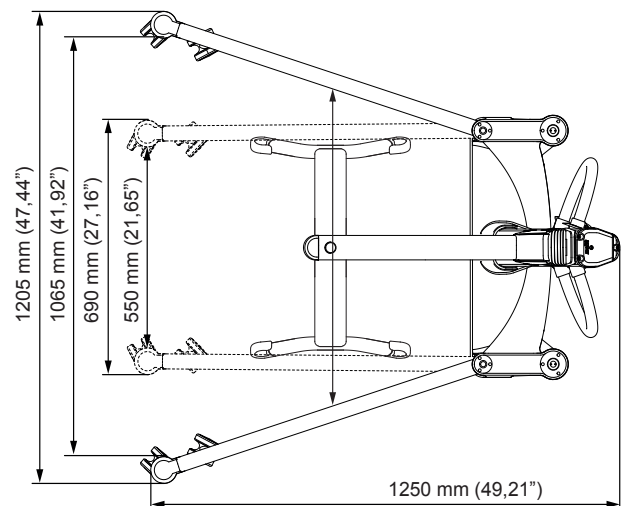
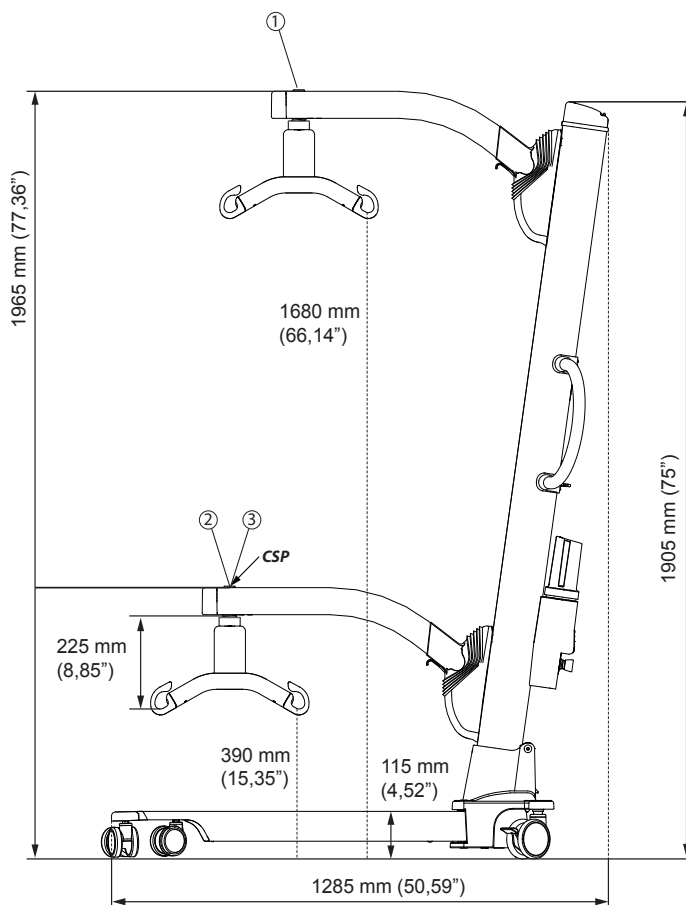
1400 mm (55.1 inches)

Number of lifts with fully charged battery:

50 lifts (75 kg / 165 lbs, 50 cm / 20 inches)

Expected Lifetime:

The lifter has an expected lifetime of 30 000 cycles or 10 years.



① Highest position: 1965 mm (77,36")

② Max reach: 615 mm (24,2")

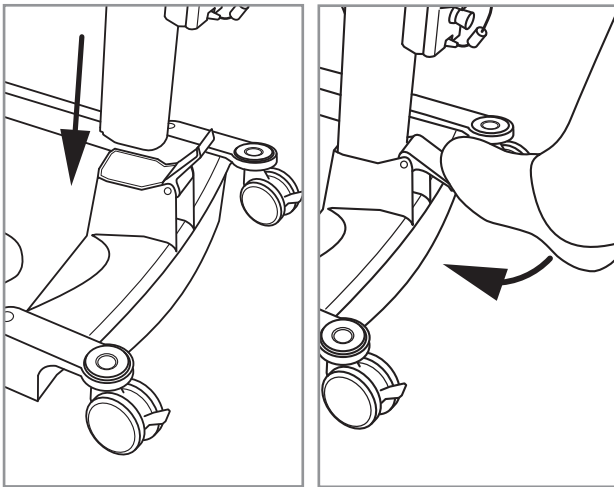
③ Lowest position: 615 mm (24,2")

Assembly

Charge the battery. The battery must not be in the battery holder during assembly!

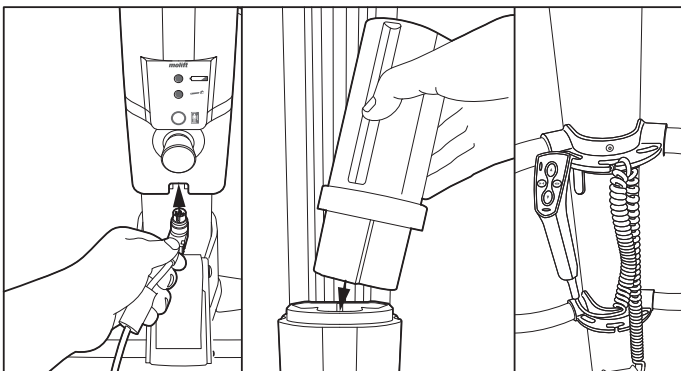
Lifting column

Place lifting column in chassis. Make sure that the red arrow on the lower part of the column corresponds with the edge of chassis. Make sure screw on column is inside the hole on chassis. This will prevent the column from unintentionally being lifted out of chassis when lock handle is pushed down.



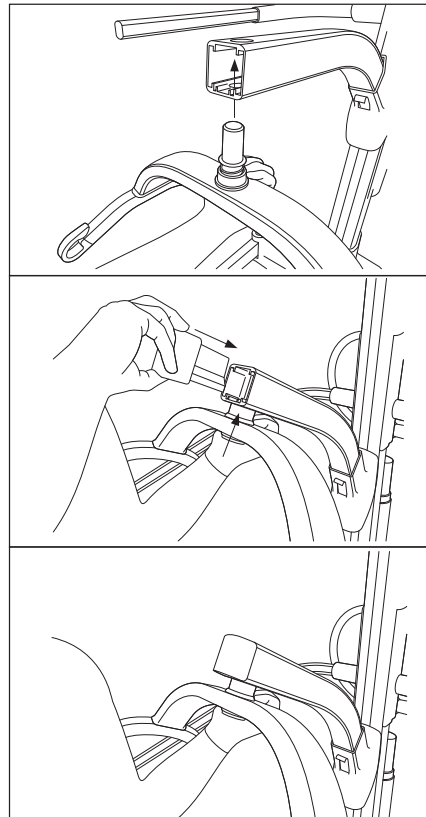
Fix the column by pushing the lock handle on the back all the way down.

Battery and Hand control



1. Connect hand control to bottom of battery holder.
2. Insert battery with terminals facing down.
3. Connect hand control wire to push handle bracket so it does not fall to the floor when dropped.

Mounting Sling bar



1. Press the sling bar bolt up and through the lifting arm.
2. Make sure the bolt is correctly aligned before pressing the plastic cup back on the arm.
3. Make sure sling bar is properly fastened

Checklist after assembly



Do not start using lifter before completing control according to checklist after assembly.

Use this checklist to verify that the lifter is properly installed and can operate correctly and safely before use.

- Ensure that the lifting arm, lifting column and sling bar are properly fixed and that there are no loose parts on the lifter.
- Make sure battery is charged (no lights on the battery lamps).
- Check that the lifter has no apparent damage or other faults.
- Perform one lift with load (60-80 kg)

How to use Molift Partner 255

General Safety Precautions

Only use accessories and slings that are adjusted to fit the user, type of disability, size, weight and type of transfer.

Working pause ratio/Duty Cycle.

Molift Partner 255 should not be run constantly for more than 2 minutes (with maximum load), and rest for minimum 18 minutes. Duty Cycle 10%. (Intermittence according to standard ISO-EN 10535)

Safe Working Load

The lifter is marked with Safe Working Load (SWL)



If maximum load (SWL) differs between lifter, sling bar and body support unit, then the lowest maximum load shall always be used



Molift lifters shall only be used to lift persons. Never use the lifter to lift or move objects of any kind.

Before use / Daily check

Inspection to be performed daily or before use:

- Make sure lifter has no visible damage, defects or deformations
- Make sure sling bar connection and all detachable parts are properly connected and secured
- Test emergency stop button and emergency lowering
- Make sure battery indicator is not illuminated and service light is green
- Make sure sling strap does not have visible

- damage or frays.
- Make sure wheels are rolling freely and lifter is easy to manoeuvre
- Test run lifters operation functions and make sure lifter does not make any abnormal sounds

If there are any faults or defects, the lift needs to be taken out of operation and marked "out of order"

Hand control

The Hand control has 4 buttons for lifting and lowering of lifting arm and leg spread mechanism in and out.

The Hand control has an indicator light that will illuminate when battery level is low and the lifter requires charging

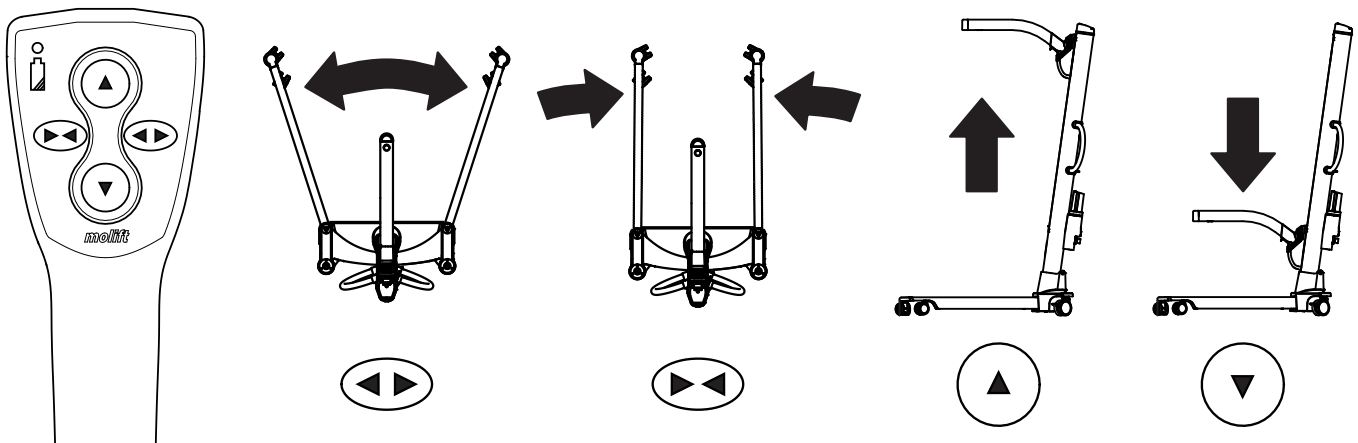
Hand Control 4 buttons
Art. no. 2018004

Lifting Arm - Up / Down

NB! The lifter is most unstable in top position.

Legs - In / Out

NB! Spreded legs gives increased stability and better access to chair or toilet.



Safety devices

Molift Partner 255 is equipped with several safety devices, which are intended to prevent damage to personnel and equipment in the case of incorrect use.

The lifter has an overload sensor preventing the lifter to be operated if the load exceeds SWL.

The lifting arm is hinged to prevent the arm and sling bar from squeezing the user.

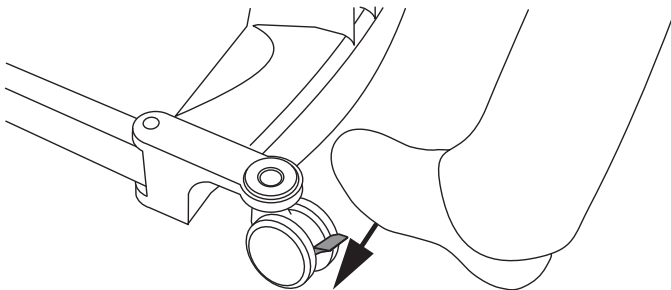
The electronics are disabled if overheated. Wait until the lifter has cooled down before using it again.

Push handles

Use the push handles to move the lifter.

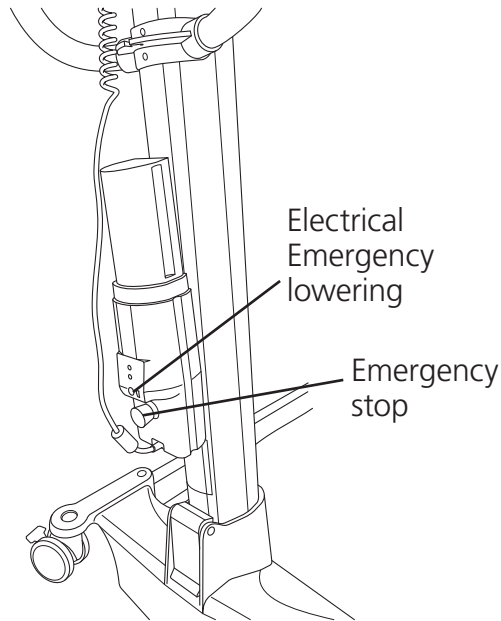
The lifter shall only be used for movement over short distances. It is not a replacement for wheelchair or similar.

Brakes



Rear wheels/casters are equipped with brakes. Step on lever to lock brakes. Flip up to unlock.

Emergency Stop / Emergency lowering



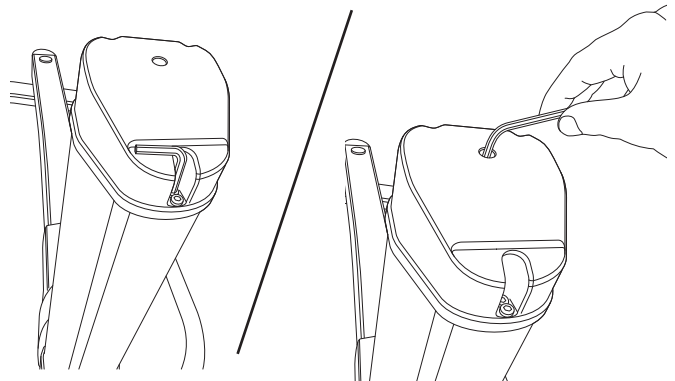
Emergency Stop

The emergency stop shuts off the power when pushed in. Turn clockwise to reset (OK to operate when the green ring is visible).

Electrical Emergency Lowering

Push and hold button for electrical emergency lowering to lower lifting arm. The electrical emergency lowering function does not work when the emergency stop is activated.

Manual Emergency lowering



There is an Allen key situated on the top of the column for the purpose of manually lowering. Push the Allen key through the hole on the top of the column, and turn until the patient is lowered down.

Remember to remove the Allen key from the hole immediately after lowering.

Contact the Molift service partner if the reason for the failure causing an emergency lowering is unknown or if it is a result of failed components or parts.

Electronics


Transport and Operating Conditions

Transport and Storage

For long time storage it is recommended that the emergency stop button is activated (pushed in). The lifter can be stored and transported under temperatures between -25 - 70 °C.

Operating


The lifter is designed for use at standard room temperatures (+5 to +40°C).
 Air Pressure: 70 - 106 kPa
 Relative Humidity: 15 - 93 %
 Following storage or transport at other temperatures leave the lifter in a room with a suitable temperature until it reaches a safe operating temperature.




Medical electrical equipment requires special precautions regarding electromagnetic compatibility (EMC). Portable or mobile radio communication equipment may affect the medical electrical equipment, and should be kept minimum 25 cm (10 inches) from the lifters electronics.

Batteries


Molift Partner 255 has a 26.4 V 2.6Ah NiMH battery. The battery has a life expectancy of approx. 500 charge cycles.



Recharge battery upon receipt, and then every six months, to avoid battery failure.





Used batteries must be disposed of as special waste according to local rules and regulations. Do not dispose in general waste



Batteries must be fully charged and depleted completely a couple of times before it achieves full capacity. Also follow this procedure if the lifter has not been in use for a long period (3-4 weeks)

Battery and Service indicator

The lifter has two indicator lights on battery holder.

	Wrench symbol / Service indicator
	Battery symbol / Battery indicator

The electrical system has a power save function which will turn off the electrical system after ten minutes without activity. All lights will turn off. The system is activated when pushing one of the operating buttons

Battery Light

The battery indicator light will illuminate and make a sound when battery level is low and the lifter requires charging. When this occurs the lifter will have sufficient power available for one full lifting cycle with max load. When battery is critically low it is only possible to lower the lifting arm.

Service Light

The lifters electronics record the loads lifted and number of lifts. After a certain period of operation a signal is given to indicate that service is required.

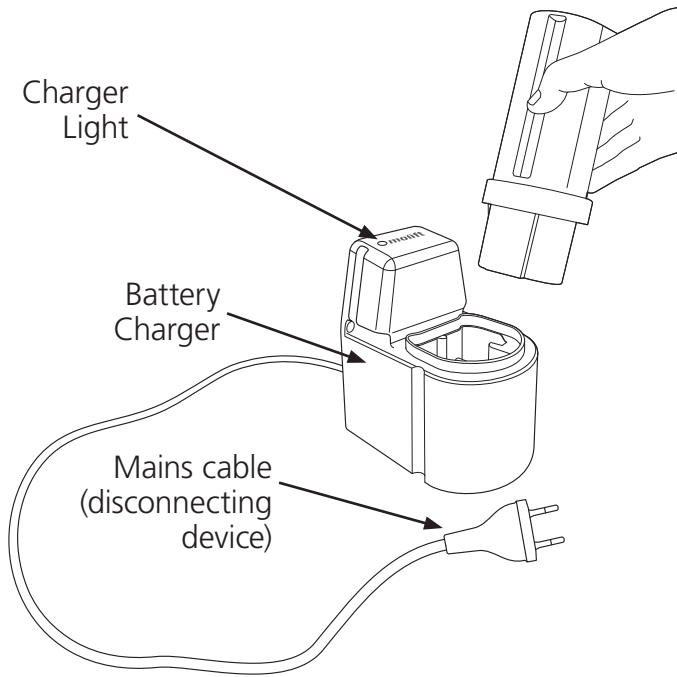
<i>Service light</i>	<i>Mode</i>
No light	Power saving (Stand by)
Green	Ready for use
Yellow	Order service
Red	Perform service
Red + sound	Perform service immediately

Service scope

Service involves replacing the lifting motor and inspection/replacement of worn parts. This must be carried out by authorized personnel.

Service is needed when the service light is red (calculated 10.000 lifts in SWL), or service is required after 5 years if the service counter not has displayed red yet.

Charging



Battery Charger

The battery charger can be used as a tabletop charger or mounted to a vertical wall surface close to a power outlet, minimum 120 cm above the floor. The charger has to be used outside the patient environment. The Charger must be placed or installed in a way that makes it easy to disconnect mains cable plug. Take care not to damage the cable. The charger can be connected to the power outlet at all times.

Battery Charger 12-24V

Art. no. 1340100

Battery PowerPac 26,4 V NiMH

Art. no. 1341000

Charger Light

Description of charger light:

Charger light	Mode
Yellow	Ready for use, no battery connected
Yellow	Initialization
Red	Fast Charge
Green/Yellow	Top-off charge
Green	Trickle charge
Red/Green	Error

Transfer

Plan the lifting operation in advance to ensure that it is as safe and smooth as possible. Remember to work ergonomically. Assess the risks and take notes. The assistant is responsible for the safety of the user.

Molift Partner 255 can be used with 4-point sling bar for different types of transfers; sitting, recumbent or ambulating.

Using Slings

It is important that the sling has been tested with the individual user and for the intended lifting situation.



Read User Manual for the sling prior to use.



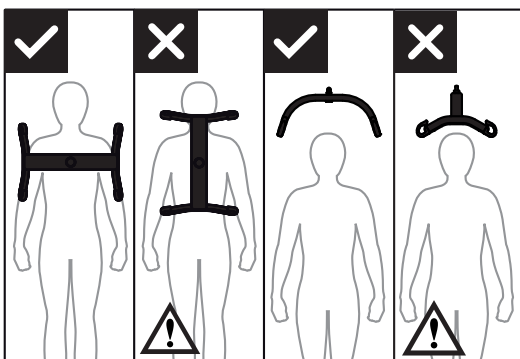
Do not to use damaged or badly worn slings.

Slings made by other manufacturers

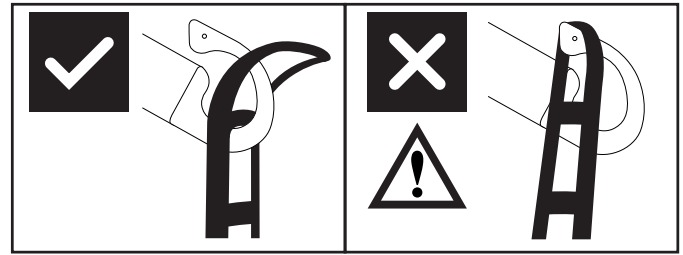
We recommend only using Molift slings. Etac shall not be liable for faults or accidents that can occur when using slings made by other manufacturers.

Lifting and lowering

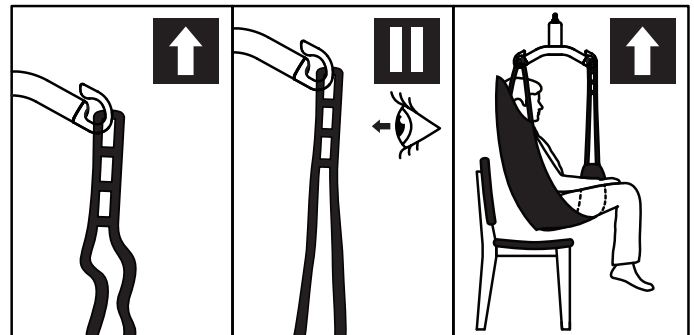
When moving the user, stand to the side of the person you are lifting. Make sure that arms and legs do not obstruct the seat, bed, etc. Keep eye contact with the user to help them feel safe.



The 4-point sling bar must always be positioned across the user, to prevent the user from unintentionally sliding out of the sling.



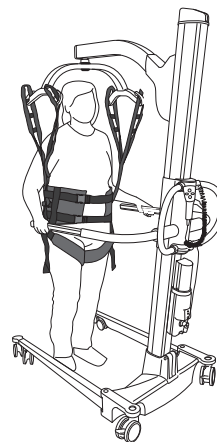
The sling bars hook design prevents sling to be inadvertently detached when mounted correct.



1. Check that the sling is correctly fitted around the user and that the strap loops are correctly fitted to the sling bar hooks.
2. Stretch the sling straps without lifting the user. Ensure that all four loops of the sling are securely fastened to avoid the user slipping or falling.
3. Lift user, and perform transfer.

Supporting arms (optional)

The lifter can be used for gait training with supporting arms.



Lifter can be delivered with supporting arms, or complete lifting column with supporting arms can be delivered as an accessory to swap with original lifting column.

Column with supporting arms
Art. no. 1511002

Transfer



Try to position the user as low as possible (preferably resting the feet on the chassis) when transferring the lifter with a suspended user. In this way the centre of gravity will be low and reduce the risk of instability.



Never lift the user higher than necessary to carry out a lift. Remember that wheels on a mobile lift must NOT be locked.



Never leave a user unattended in a lifting situation.

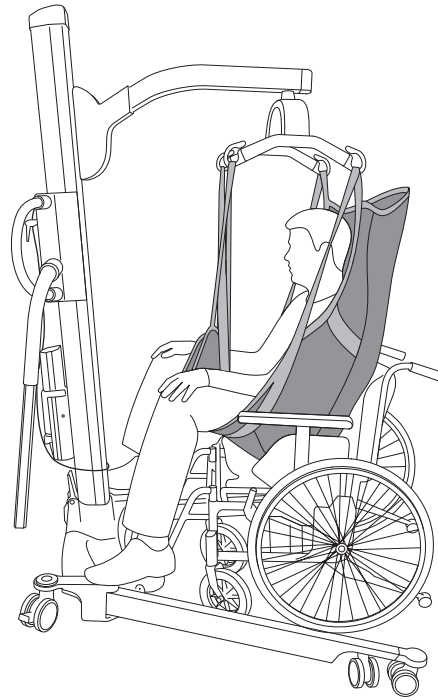
Be careful during movement, the suspended user may swing during turns, stops and starts. Be careful when manoeuvring close to furniture to prevent the suspended user from colliding with these objects.



The lifter shall not be used to lift or move users on sloping surfaces

Avoid deep pile carpets, high thresholds, uneven surfaces or other obstacles that may block the castors. The lifter may become unstable if forced over such obstacles increasing the risk of tipping over.

Lowering into sitting

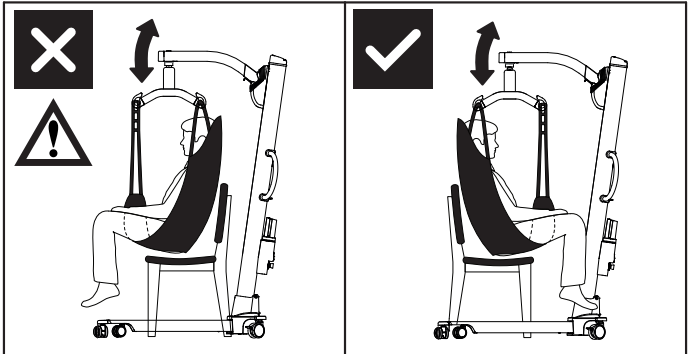


When transferring the user into sitting, the following techniques can be used when lowering the user as far back into the seat as possible:

- A Position the user with the help of the guide handle
- B Push gently on the users knees
- C Tilt the seat backwards



User must be facing lifter when lifting or lowering from or into a chair.



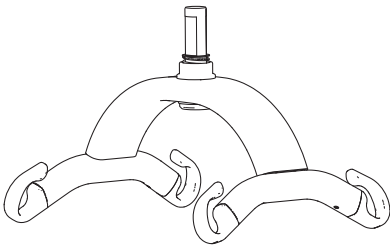
Accessories

Recommended optional equipment and accessories for Molift Partner 255.

Sling bars

Molift Partner 255 can be used with 4 point sling bar.

Aluminum sling bar



4-point Medium, aluminum, 450 mm,

Art. no.: 1330060

4-point Large, aluminum, 550 mm,

Art. no.: 1330061

4-point XL, aluminum, 650 mm,

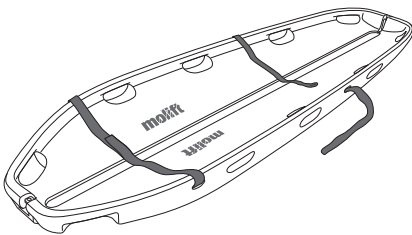
Art. no.: 1330062

8-point Large, aluminum, 1430 mm,

Art. no.: 2140002

Stretcher

The Molift stretcher can be used in combination with all Molift 4-point sling bars



Scoop stretcher MRI compatible (SWL 300 kg)

Art. no.: 2150108

Scale

Molift Scale is approved Class III. The scale can also calculate BMI (Body Mass Index).

Molift Scale Set (without sling bar)

Art. no.: 1331002

Slings

Etac supplies a wide selection of slings for different types of transfers.

The Molift RgoSling sling series is developed to be combined with a 4-point sling bar but the sling also works with a 2-point sling bar.

See the combination list in the slings user manual for the correct sling and sling bar combination.

The Molift RgoSling sling series is available in sizes XXS – XXL, in polyester and polyester mesh.

Rgosling Mediumback Padded (XS-XXL)

Rgosling Highback Padded (XS-XXL)

Rgosling Mediumback Net (XXS-XXL)

Rgosling Highback Net (XXS-XXL)

Rgosling Toilet Lowback (XXS-XXL)

Rgosling Toilet Highback (XXS-XXL)

Rgosling Amputee Mediumback (XXS-XXL)

Rgosling Amputee Highback (XXS-XXL)

Rgosling Ambulating Vest

Rgosling Comfort Highback (S-L)

Accessories:

Rgosling Extension Loops


Art. no.: 1721600

Rgosling Ambulating Vest Groin strap (XXS-XL)

Maintenance

Cleaning and disinfection

Clean on a regular basis. Clean surfaces with a damp cloth using an appropriate pH-neutral detergent. Do not use solvents or strong liquids, this may damage surfaces on the lifter. For disinfection when needed; use isopropyl alcohol. Avoid abrasive cleaning products. Check emergency stop and emergency lowering after cleaning. The lift should not be exposed to running water.



Make sure not to damage or remove labels when cleaning.

Reconditioning

Follow cleaning and installation procedure, complete periodic inspection and use checklist after installation to recondition the lifter.

Recycling

Refer to "Recycling instructions" for how to properly dispose of product. This can be found on www.etac.com.

Spare Parts

A list of spare parts is available on request.


Periodic Inspection

Periodic Inspection Scope

Periodic inspection is a visual examination (particularly of the hoist's load bearing structure and lifting mechanism with attachments, brakes, controls, safety devices and person-support devices) according to Periodic Inspection Report for Molift Air. This can be found on www.etac.com.

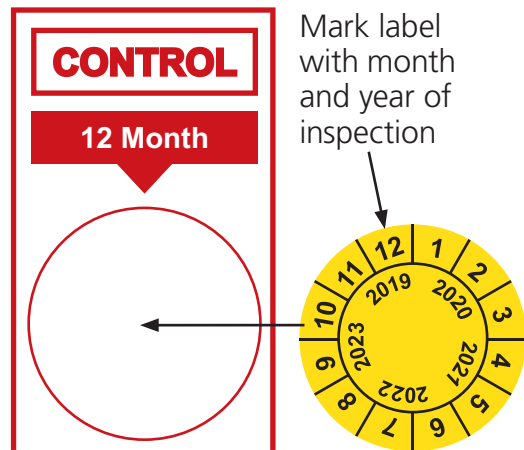
Periodic Inspection shall be performed at least once a year or more frequently if required by local requirements. The inspection must be performed by service personnel authorized by Etac. Contact Etac for training and authorization or recommendation of an approved service partner.

When performing a periodic inspection, the inspector shall fill out the inspection report for Molift Air. The reports should be retained by the person(s) responsible for servicing the hoist. If the inspection reveals defects and damages, the owner shall be notified and a copy of the report should be sent to Etac, molift@etac.com.



In the event of danger to safety, the hoist shall immediately be taken out of service and marked clearly with "out of order" and shall not be used until the hoist is repaired

When periodic inspection is completed the inspector shall mark the hoist with a sticker on the control label showing the date when periodic inspection is performed. The control label can be found on the inside of the Side cover, and this will then indicate when next service should be performed.



Troubleshooting

Symptom	Possible Cause/Action
The lifting column is wobbly	The lifting column is not correctly positioned in the chassis or the screw in front or back is not properly tightened. Assemble column and chassis, and tighten screws properly.
The lifter moves unevenly on a plane surface	The castors move unevenly because of pile and dust. Clean the castors. Remove hair and dirt.
The lifting arm or adjustable legs moves uncontrolled.	Short circuit between hand control and lifter. Clean hand control plug surfaced with alcohol to remove grease.
	Defective hand control. Replace hand control.
	The control electronics has failed. Contact local representative for service.
The lifter does not respond to Hand control action / The lifting arm or legs does not move.	Emergency stop button is activated. Turn button clockwise to reset emergency stop.
	Battery is empty. Change or charge battery.
	The lifters electronics is overheated. Wait for it to cool down.
	The lifter is overloaded. Make sure the load does not exceed SWL.
	Hand control is not plugged in properly. Plug in Hand control properly. Hand control, plug or cord can be broken an should be replaced.
	Contact between chassis and column has no connection. Column is not correctly mounted in chassis. Assemble column and chassis properly.
	Defective control electronics. Contact local representative for service.
Battery does not charge	Faulty battery. Try another battery.
	Faulty battery charger. Try another charger.

Deutsche Bedienungsanleitung

Wichtiger Hinweis

Diese Bedienungsanleitung enthält wichtige Hinweise und Informationen für den sicheren Gebrauch des Lifters und des Zubehörs.

In dieser Bedienungsanleitung bezeichnet „Benutzer“ diejenige Person, die gehoben wird. Der „Helfer“ ist diejenige Person, die den Lifter bedient.



Warnung!
Dieses Symbol weist auf wichtige Sicherheitshinweise hin. Befolgen Sie diese Anweisungen bitte genau.

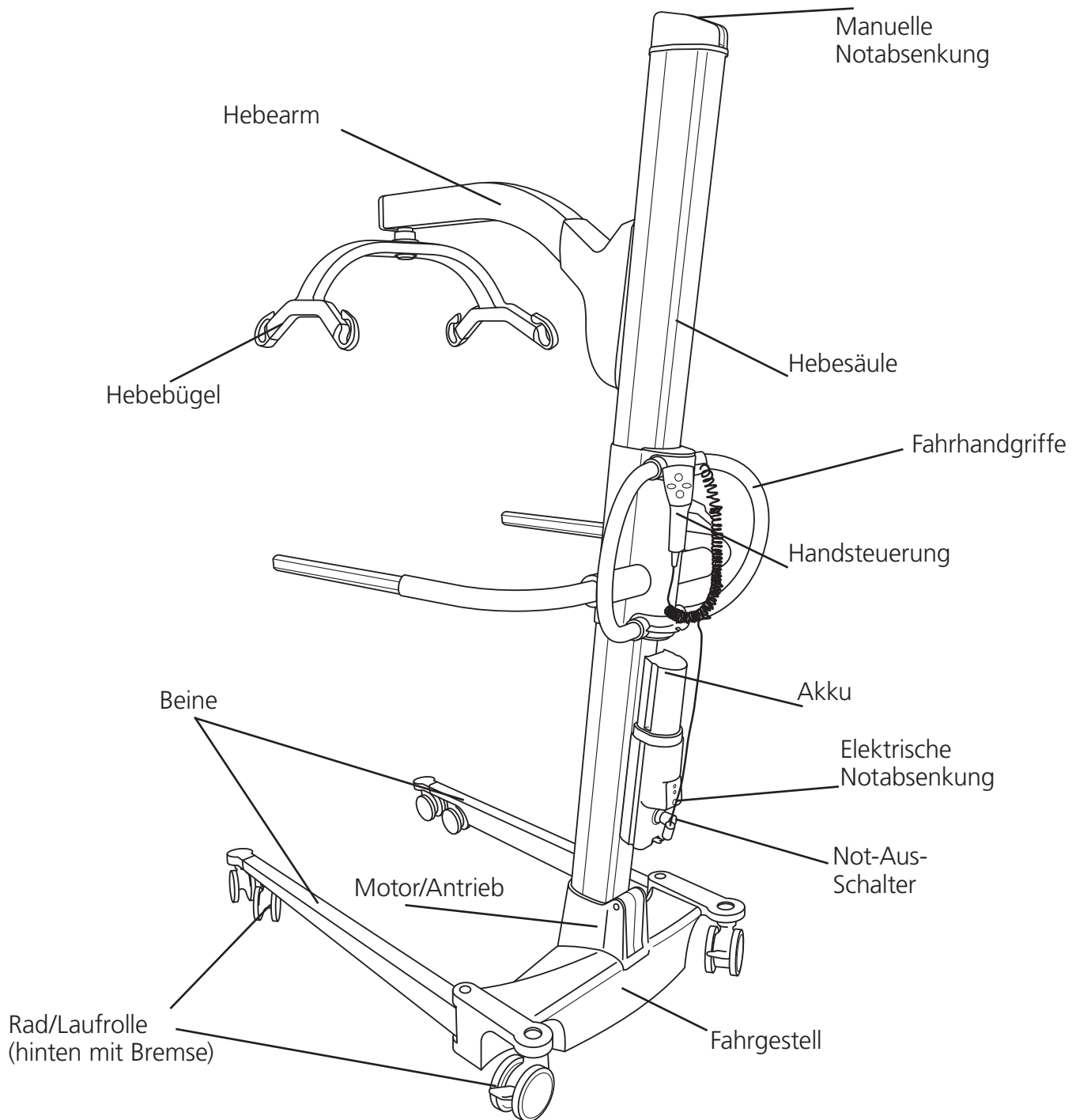


Lesen Sie vor dem Gebrauch die Bedienungsanleitung!
Es ist sehr wichtig, dass Sie vor Inbetriebnahme des Geräts mit dem Inhalt der Bedienungsanleitung genau vertraut sind.

Besuchen Sie www.etac.com und vergewissern Sie sich, dass Sie über die neueste Version der Bedienungsanleitung verfügen.

Molift Partner 255

Lifter-Bestandteile:




Der Molift Partner 255

Der Molift Partner 255 bietet die ideale Hebelösung für das Heben bei hochkomplizierten Situationen in akuten und kritischen Pflegebereichen sowohl im Krankenhaus als auch in Pflegeeinrichtungen. Mit dem hervorragenden Hubbereich von 37 –179 cm (14,5"–70,4") ermöglicht der Molift Partner 255 einfaches Anheben vom Boden und auch von höheren Flächen. Die gerade, vertikale Säule in Verbindung mit dem festen Hebebügel sorgt für außergewöhnliche

Stabilität und hält den Anwender ein gutes Stück von der Säule weg. Bei einem Gesamtgewicht von nur 42,5 kg (94 lbs) gehört der Molift Mover 255 zu den leichtesten seiner Kategorie. Kombiniert mit der außergewöhnlichen Bauweise und der Räderlösung lässt er sich mit einer Tragfähigkeit von 255 kg (562 lbs) sehr leicht manövrieren. Ausgestattet mit einem umweltfreundlichen NiMH-Akku.

Allgemeines


	<p>CE-Erklärung</p> <p>Das Produkt und das entsprechende Zubehör, die in dieser Bedienungsanleitung beschrieben werden, entsprechen der Verordnung (EU) 2017/745 von 5. April 2017 - als Medizinprodukt, Risikoklasse I.</p> <p>Das Produkt wurde von einer dritten Stelle gemäß den Normen IEC 60601-1, IEC 60601-1-2 und EN/ISO 10535:2006 geprüft und zugelassen.</p> <p>Jeder schwere Zwischenfall, der im Zusammenhang mit dem Produkt auftritt, sollte dem Hersteller und der zuständigen Behörde des Mitgliedstaats, in dem der Anwender und/oder Patient niedergelassen ist, gemeldet werden.</p>
---	--

Bedingungen für die Benutzung

Das Anheben und Umsetzen einer Person geht immer mit gewissen Risiken einher, und die Benutzung des von in diesem Handbuch behandelten Geräts und Zubehörs ist ausschließlich dafür geschultem Personal gestattet.

Modifikationen und Verwendung von Komponenten anderer Hersteller.

Wir empfehlen die ausschließliche Verwendung von Molift-Komponenten und -Ersatzteilen. Wenn am Produkt Modifikationen vorgenommen werden, erlischt die Konformitätserklärung und die von Etac auf das Produkt gegebene Garantie. Für Probleme oder Unfälle, die bei Verwendung von Komponenten anderer Hersteller auftreten, haftet Etac nicht.

	<p>Nur zertifiziertes Personal darf den Lifter oder das Zubehör öffnen, um eine Wartung oder Reparaturen vorzunehmen. Aufgrund beweglicher und spannungsführender Teile besteht ein Verletzungsrisiko.</p>
---	---








Der Lifter ist nicht dafür konzipiert, von der Person bedient zu werden, die gehoben wird.

<p>Garantiehinweis</p> <p>2 Jahre Garantie auf Verarbeitungs- und Materialfehler unserer Produkte. Ein Jahr Garantie auf Batterien. Unsere Allgemeinen Geschäftsbedingungen finden Sie unter www.etac.com.</p>

Produktkennzeichnung

Produktetikett

Das Produktetikett enthält einen Barcode mit Artikelnummer, Seriennummer und Herstellungsdatum.

	<p>Partner 255</p> <p>Gross weight 298kg / 657lbs SWL 255kg / 562lbs 26.4V DC, IP24 Duty cycle 10%</p>	
  		

	
<p>(01)XXXXXXXXXXXXXXXX(11)XXXXXX(21)XXXXXX</p>	
	
	

- | | | | |
|---|--|---|--------------------------------------|
|  | Anwendungsteil
Typ BF |  | Ladeanzeige |
|  | CE-konform |  | Zeichen der
Zertifizierungsstelle |
|  | Lesen Sie die
Bedienungsanleitung |  | Hersteller |
|  | Nur für den Gebrauch
in Innenräumen |  | Herstellungsdatum |
|  | Nicht im Hausmüll
entsorgen |  | Katalognummer |
|  | Notabsenkung |  | Seriennummer |
|  | Wartungsanzeige |  | Medizinprodukt |

Warnetiketten und Symbole

Die auf dem Produkt verwendeten Symbole haben folgende Bedeutung:

Technische Daten

Sichere Tragfähigkeit (Safe Working Load, SWL):

255 kg (562 lbs)

Gewicht des Geräts:

ohne Akku und Hebebügel:

38.3 kg/84,4 lbs

Fahrgestell: 20 kg/44 lbs

Hebesäule: 15 kg/33 lbs

Akku: 1,6 kg/3,5 lbs

4-Punkt-Hebebügel,

Größe M: 3,5 kg / 7.7 lbs

Akku:

Art: 1341000

26.4 V NiMH 2.6 Ah

Akkuladegerät:

100-240 V AC, 50-60 Hz

0,9 A Ausgang

Hubgeschwindigkeit:

42.9 mm/Sekunde (1,69 Zoll/Sekunde)

bei 75 kg (165 lbs) Belastung

Schutzart:

Handsteuerung IP24

Hubmotor IP24

Maximaler A-bewerteter Schallleistungspegel:

$L_{WA} = 49,4$ dB

Bedienkraft, Taste:

Tasten an der Handbedienung: 3.4 N

Werkstoffe:

Aluminium, Kunststoff, Stahl

Motor:

Hubmotor/-Antrieb: 24 V DC

Beinspreizmotor: 12 V DC

Drehdurchmesser:

1400 mm (55.1 Zoll)

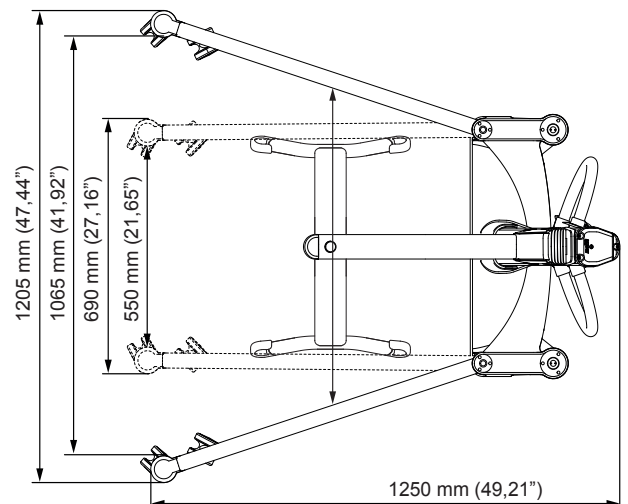
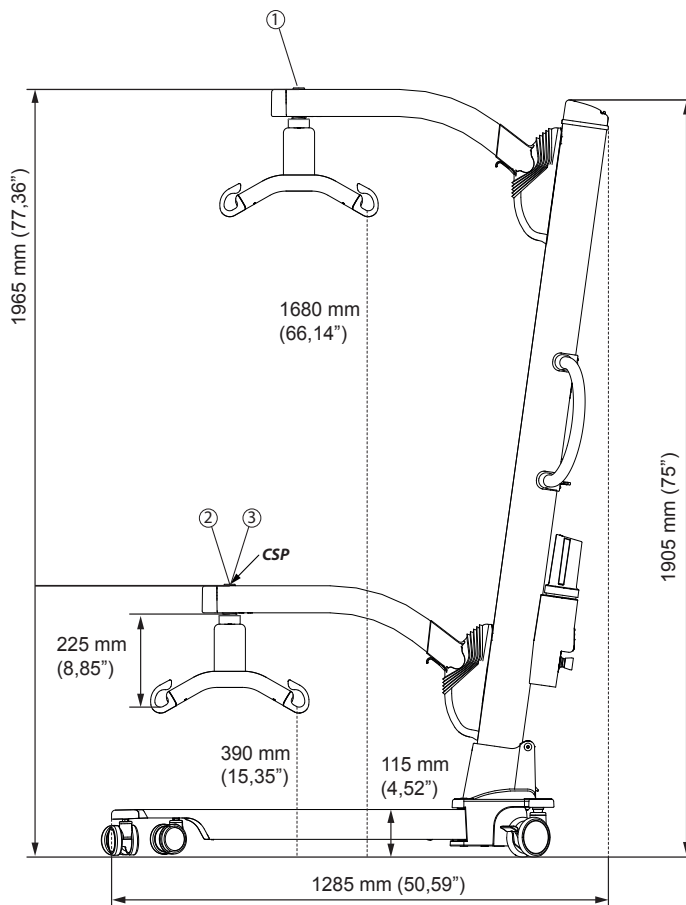
Hebevorgänge bei voll aufgeladenem Akku:

50 Hebevorgänge

(75 kg/165 lbs, 50cm/20 Zoll)

Erwartete Lebensdauer:

Der Lifter hat eine erwartete Lebensdauer von 30 000 SWL-Hebevorgängen bzw. 10 Jahren.



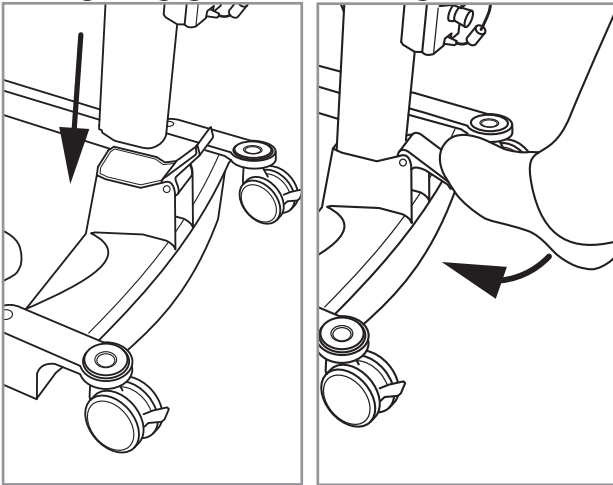
- ① Highest position: 1965 mm (77,36")
- ② Max reach: 615 mm (24,2")
- ③ Lowest position: 615 mm (24,2")

Montage

Akku laden. Der Akku darf sich während der Montage nicht im Akkuhalter befinden!

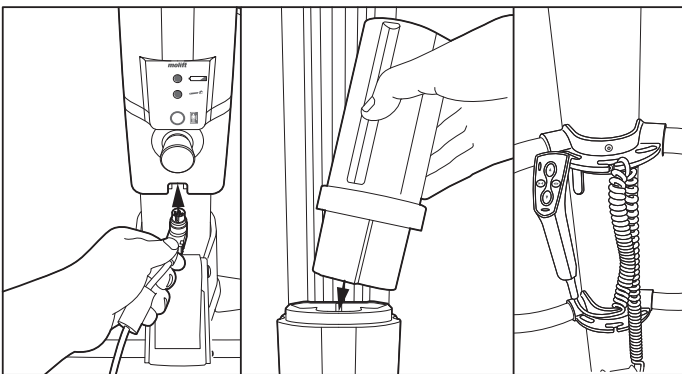
Hebesäule

Hebesäule im Fahrgestell platzieren. Stellen Sie sicher, dass der rote Pfeil auf dem unteren Teil der Säule mit der Fahrgestellkante bündig ist. Stellen Sie sicher, dass sich die Schraube an der Säule in der Vertiefung des Fahrgestells befindet. Dadurch wird ein unbeabsichtigtes Anheben der Säule aus dem Fahrgestell verhindert, wenn der Verriegelungsgriff nach unten gedrückt wird.



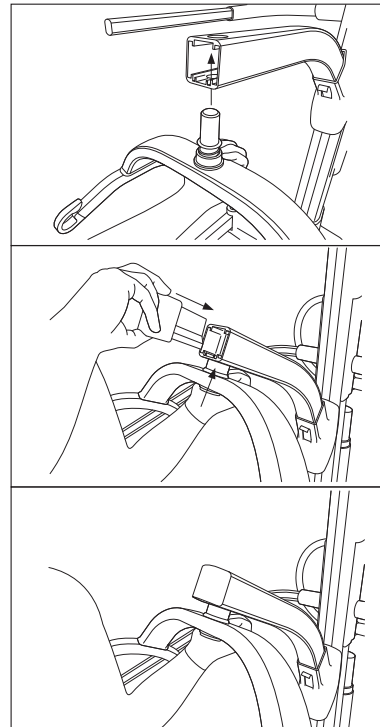
Fixieren Sie die Säule durch vollständiges Herunterdrücken des Verriegelungsgriffs auf der Rückseite.

Akku und Handsteuerung



1. Schließen Sie die Handsteuerung an der Unterseite des Akkuhalters an.
2. Legen Sie den Akku so ein, dass die Pole nach unten zeigen.
3. Verbinden Sie das Handsteuerungskabel mit dem Fahrhandgriff, so dass das Kabel nicht auf den Boden fällt, wenn es fallengelassen wird.

Montage des Hehebügels



1. Drücken Sie den Bolzen des Hehebügels nach oben und durch den Hebearm hindurch.
2. Stellen Sie sicher, dass der Bolzen korrekt ausgerichtet ist, bevor Sie die Kunststoffkappe wieder am Arm anbringen.
3. Stellen Sie sicher, dass der Hehebügel ordnungsgemäß befestigt ist

Checkliste nach der Montage



Nehmen Sie den Lifter erst in Gebrauch, nachdem Sie nach der Montage die Checkliste durchgegangen sind.

Verifizieren Sie vor der Inbetriebnahme anhand dieser Checkliste, dass der Lifter ordnungsgemäß installiert ist und sicher benutzt werden kann.

- Vergewissern Sie sich, dass Hebearm, Hebesäule und Hehebügel ordnungsgemäß befestigt wurden und der Lifter keine losen Teile aufweist.
- Stellen Sie sicher, dass der Akku aufgeladen ist (die Ladeanzeige leuchtet nicht).
- Vergewissern Sie sich, dass der Lifter keine erkennbaren Schäden oder andere Fehler aufweist.
- Führen Sie einen Hebevorgang mit einem Gewicht durch (60 - 80 kg)

Bedienung des Molift Partner 255

Allgemeine Sicherheitshinweise

Benutzen Sie nur Zubehör und Hebetücher, die dem Benutzer, der Art seiner Behinderung, seiner Größe und Gewicht und der Art der Umsetzung angepasst sind.

Verhältnis Betriebszeit zu Pausen/Arbeitszyklus.

Der Molift Partner 255 sollte nicht mehr als zwei Minuten am Stück betrieben werden (unter maximaler Belastung) und dann mindestens 18 Minuten pausieren. Arbeitszyklus 10 %. (Pausenzeit gemäß ISO-EN 10535)

Sichere Traglast (SWL)

Der Lifter verfügt über eine sichere Traglast (SWL)



Falls sich die zulässige maximale Traglast (SWL) des Lifters, des Hehebügels und des Trageteils unterscheidet, so ist stets der niedrigere Wert ausschlaggebend



Lifter von Molift dürfen ausschließlich zum Heben von Personen verwendet werden. Setzen Sie den Lifter niemals zum Heben oder Bewegen von Objekten aller Art ein.

Vor Gebrauch / Täglicher Check / Monatlich

Die folgenden Prüfmaßnahmen sind täglich bzw. vor Benutzung durchzuführen:

- Vergewissern Sie sich, dass der Lifter keine sichtbaren Schäden, Defekte oder Verformungen aufweist
- Vergewissern Sie sich, dass die Aufhängeverbindung und alle abnehmbaren Teile ordnungsgemäß verbunden und gesichert sind
- Vergewissern Sie sich, dass die Ladeanzeige nicht leuchtet und die Wartungsanzeige grün leuchtet
- Vergewissern Sie sich, dass die Hebegurte keine sichtbaren Schäden oder Ausfransungen aufweisen.
- Vergewissern Sie sich, dass die Laufrollen problemlos funktionieren und der Lifter leicht zu bewegen ist

Die folgenden Prüfmaßnahmen sind monatlich durchzuführen:

- Testen Sie die operativen Funktionen des Lifters mithilfe eines Probelaufs und stellen Sie sicher, dass der Lifter keine ungewöhnlichen Geräusche macht
- Test des Not-Aus-Schalters und der Notabsenkung

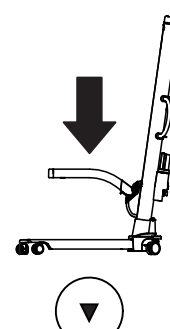
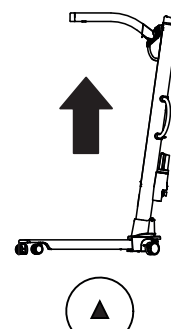
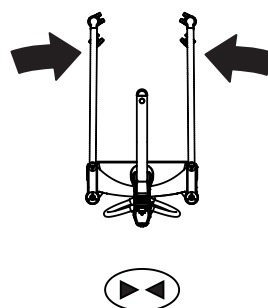
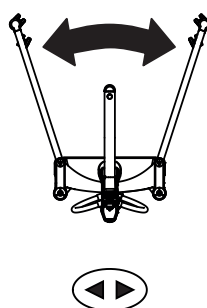
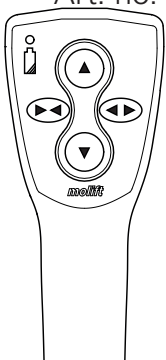
Bei Störungen oder Defekten ist der Lifter umgehend außer Betrieb zu setzen und entsprechend zu kennzeichnen („außer Betrieb“).

Handsteuerung

Die Handsteuerung verfügt über vier Tasten zum Anheben und Absenken von Hebearm und Beinspreizmechanismus.

Die Handsteuerung verfügt über ein Anzeigelicht, das bei niedrigem Ladezustand des Akkus leuchtet und so darauf hinweist, dass der Akku geladen werden muss

Handsteuerung 4 Tasten
Art. no. 2018004



Hebearm – nach oben/unten

Hinweis! Der Lifter ist sehr wackelig, wenn er sich in seiner höchsten Position befindet.

Beine – Einfahren/Ausfahren

Hinweis! Gespreizte Beine sorgen für erhöhte Stabilität und einen besseren Zugang zum Stuhl bzw. zur Toilette.

Schutzvorrichtungen

Der Molift Partner 255 ist mit diversen Schutzvorrichtungen ausgestattet, die im Falle einer falschen Benutzung Personen- bzw. Sachschäden vermeiden sollen.

Der Lifter ist mit einem Überlastungssensor ausgestattet, der die Bedienung des Lifters im Falle einer Überschreitung der sicheren Traglast (SWL) verhindert.

Der Hebearm ist abschwenkbar, um ein Einklemmen des Benutzers durch den Arm bzw. den Hehebügel zu verhindern. Der Antrieb erzeugt bei einer Abwärtsbewegung keinerlei Kräfte.

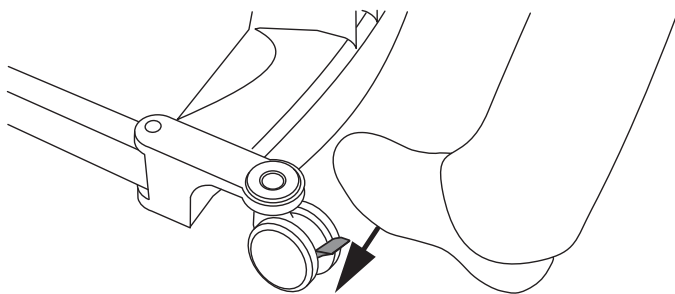
Die Elektronik wird bei Überhitzung abgeschaltet. Warten Sie, bis der Lifter wieder abgekühlt ist, bevor Sie ihn erneut verwenden.

Fahrhandgriffe

Verwenden Sie die Fahrhandgriffe, um den Lifter zu bewegen.

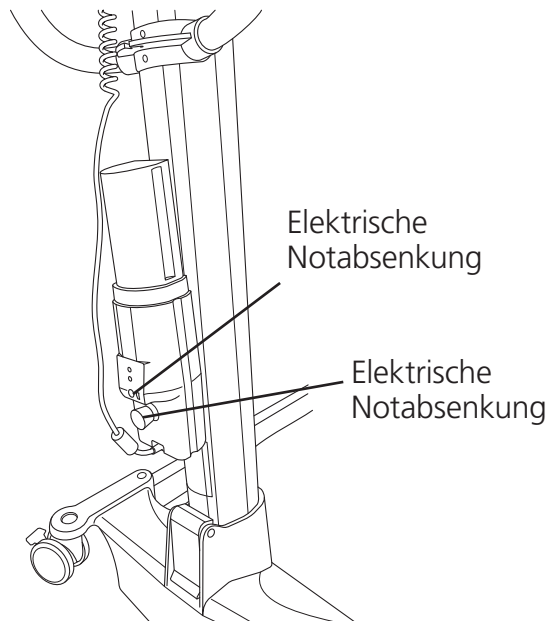
Der Lifter sollte nur zum Umsetzen über kurze Distanzen verwendet werden. Der Lifter dient nicht als Ersatz für einen Rollstuhl oder Ähnliches.

Bremsen



Die hinteren Räder/Laufrollen sind mit Bremsen ausgestattet. Treten Sie auf den Hebel, um die Bremsen zu arretieren. Klappen Sie ihn nach oben, um die Bremsen zu lösen.

Emergency Stop / Emergency lowering



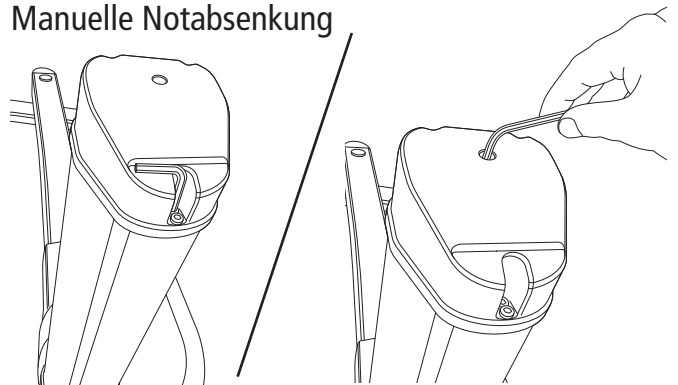
Not-Aus-Schalter

Der Not-Aus-Schalter unterbricht die Stromversorgung, wenn er eingedrückt wird. Er lässt sich durch Drehen im Uhrzeigersinn wieder zurückstellen (darf erst ausgeführt werden, wenn der grüne Ring aufleuchtet).

Elektrische Notabsenkung

Halten Sie die Taste für die elektrische Notabsenkung gedrückt, um den Hebearm zu senken. Die elektrische Notabsenkfunktion steht nicht zur Verfügung, wenn der Not-Aus-Schalter betätigt worden ist.

Manuelle Notabsenkung



Oben an der Säule finden Sie einen Innensechskantschlüssel für das manuelle Absenken. Stecken Sie den Schlüssel in die obere Öffnung der Säule und drehen Sie den Schlüssel, bis der Patient vollständig herabgelassen wurde. Denken Sie daran, den Schlüssel direkt nach dem Absenken wieder zu entfernen. Setzen Sie sich mit dem Molift-Service-Partner in Verbindung, wenn die Fehlerursache der Notabsenkung unbekannt ist oder durch defekte Komponenten ausgelöst wurde.

Steuerelektronik

Transport- und Betriebsbedingungen

Transport und Lagerung

Für die langfristige Lagerung wird empfohlen, den Not-Aus-Schalter zu aktivieren (eindrücken). Der Lifter kann bei Umgebungstemperaturen von - 25 bis + 70 °C gelagert und transportiert werden.

Betrieb

Der Lifter ist auf die Benutzung bei Zimmertemperaturen ausgelegt (+ 5 bis + 40 °C).
 Luftdruck: 70 - 106 kPa
 Relative Luftfeuchtigkeit: 15 - 93 %
 Nach einer Lagerung oder einem Transport unter abweichenden Temperaturbedingungen muss der Lifter in einem Raum mit geeigneter Temperatur gelagert werden, bis er eine sichere Betriebstemperatur erreicht hat.



Medizinische Elektrogeräte bedürfen spezieller Sicherheitsmaßnahmen in Bezug auf elektromagnetische Kompatibilität (EMK). Tragbare oder mobile Funkkommunikationsgeräte können die Funktion medizinischer Elektrogeräte beeinträchtigen und sollten stets mindestens 25 cm (10 Zoll) Abstand zur Lifter-Elektronik haben.

Akku

Der Molift Partner 255 ist mit einem 26,4 V 2,6 Ah NiMH-Akku ausgestattet. Der Akku hat eine Lebensdauer von ca. 500 Ladezyklen.



Laden Sie den Akku nach Erhalt und danach alle sechs Monate auf, um einen Ausfall des Akkus zu vermeiden.



Gebrauchte Akkus müssen als Sondermüll entsprechend der einschlägigen lokalen Bestimmungen entsorgt werden. Nicht im Hausmüll entsorgen



Akkus müssen zu Beginn mehrfach vollständig entladen und geladen werden, bevor sie ihre volle Kapazität erreichen. Führen Sie diese Prozedur auch durch, wenn der Lifter für längere Zeit nicht in Betrieb war (4 Wochen oder länger)

Lade- und Wartungsanzeige (LED)

Auf dem Akkuhalter des Lifters befinden sich zwei Anzeigeleuchten.

	Wartungsanzeige
	Ladeanzeige

Das elektrische System verfügt über eine Stromsparfunktion, durch die das elektrische System nach zehn Minuten ohne Aktivität abschaltet. Dann erlöschen alle Leuchtanzeigen.

Das System kann reaktiviert werden durch Betätigung einer der Steuerungstasten

Ladeanzeige (LED)

Die Ladeanzeige (LED) leuchtet bei niedrigem Ladestand, außerdem ertönt ein akustisches Signal. Der Lifter sollte dann geladen werden. Wenn dies geschieht, hat der Lifter noch ausreichend Energie für einen vollen Hebezyklus mit maximaler Last. Wenn sich der Ladestand des Akkus im kritischen Bereich befindet, kann der Hebearm nur noch abgesenkt werden.

Wartungsanzeige

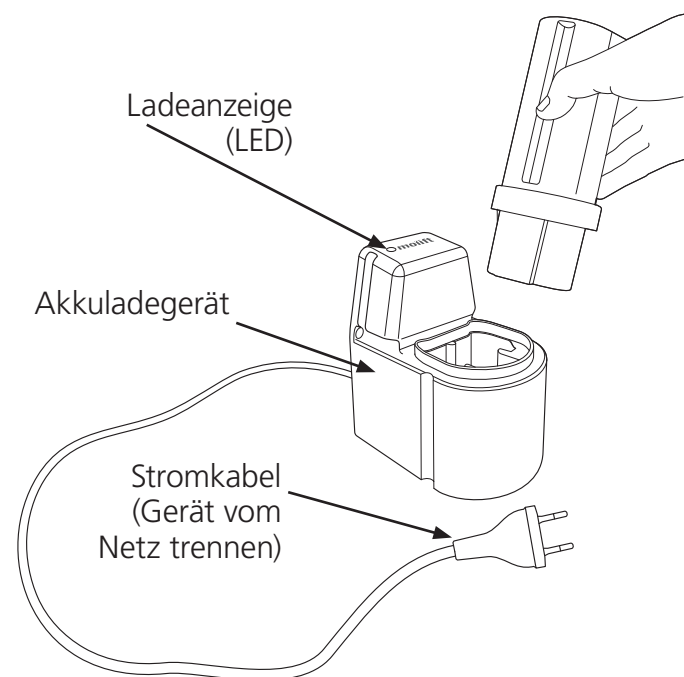
Die Elektronik des Lifters registriert, wie viele Hebevorgänge mit welcher Belastung durchgeführt wurden. Nach einer bestimmten Gebrauchsdauer leuchtet die LED auf, um die Notwendigkeit einer Wartung anzuzeigen.

Wartungsanzeige	Zustand
Kein Licht	Stromsparmmodus (Standby)
Grün	Betriebsbereit
Gelb	Wartung anfordern
Rot	Wartung durchführen
Rot (und akustischer Alarm)	Wartung durchführen sofort

Wartungsumfang

Bei der Wartung wird der Hubmotor ausgetauscht, das Gerät inspiziert und abgenutzte Teile ersetzt. Dies darf nur durch befugtes Personal erfolgen. Die Wartung ist vorgeschrieben, wenn die Wartungsanzeige rot leuchtet (10 000 Hebevorgänge in Gewichtsklasse 4 (SWL)).

Laden



Akkuladegerät

Das Ladegerät kann als mobiles Gerät verwendet oder auf einer vertikalen Wandfläche in der Nähe einer Steckdose mindestens 120 cm über dem Boden installiert werden. Das Ladegerät darf nicht im Umfeld von Patienten benutzt werden.

Das Ladegerät muss so platziert bzw. installiert werden, dass der Stecker des Netzkabels leicht herausgezogen werden kann. Seien Sie vorsichtig, damit Sie das Kabel nicht beschädigen. Das Ladegerät kann dauerhaft an eine Steckdose angeschlossen sein.

Akkuladegerät 12-24V

Art. no. 1340100

Battery PowerPac 26,4 V NiMH

Art. no. 1341000

Ladeanzeige

Beschreibung der Ladeanzeige (LED):

LED	Zustand
Gelb	Betriebsbereit, kein Akku angeschlossen
Gelb	Initialisierung
Rot	Schnellladung
Grün/Gelb	Auffüll-Ladung
Grün	Erhaltungsladung
Rot/Grün	Fehler

Transfer

Planen Sie den Hebetransport im Voraus, um sicherzustellen, dass alles so sicher und störungsfrei wie nur möglich abläuft. Denken Sie an eine ergonomische Arbeitsweise. Bewerten Sie die Risiken und machen Sie entsprechende Notizen. Der Helfer ist für die Sicherheit des Benutzers verantwortlich.

Der Molift Partner 255 kann mit einem 4-Punkt-Hehebügel für verschiedene Arten des Umsetzens benutzt werden; sitzend, liegend oder gehend.

Es ist wichtig, dass das Hebetuch mit jedem einzelnen Benutzer und für jede Hebesituation individuell getestet wird.



Vor dem Gebrauch des Hebetuchs die Bedienungsanleitung lesen.



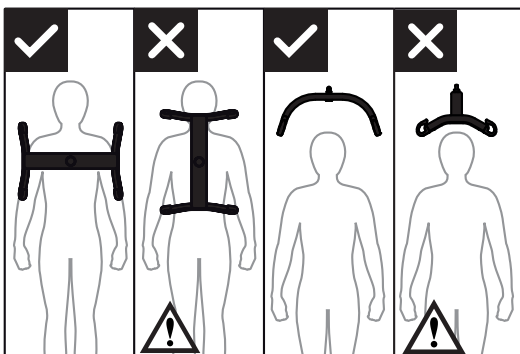
Keine beschädigten oder stark abgenutzten Hebetücher verwenden.

Hebetücher anderer Hersteller

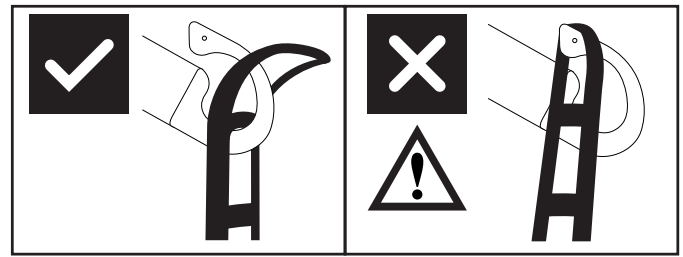
Benutzen Sie nach Möglichkeit nur Hebetücher von Molift. Für Probleme oder Unfälle, die bei Verwendung der Hebetücher anderer Hersteller auftreten, haftet Etac nicht.

Heben und Senken

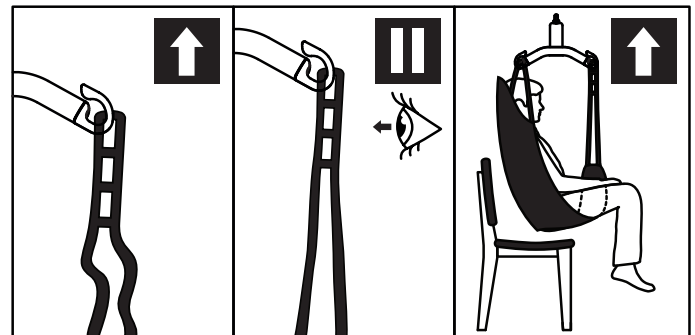
Wenn Sie den Benutzer bewegen, stellen Sie sich beim Anheben neben die Person. Sorgen Sie dafür, dass deren Arme und Beine nicht eingeklemmt werden (Bett, Stuhl usw.). Versuchen Sie, Augenkontakt zu halten, denn dadurch fühlt sich der Benutzer gut aufgehoben.



Der 4-Punkt-Hehebügel muss immer horizontal zum Benutzer ausgerichtet sein, um zu verhindern, dass der Benutzer versehentlich aus dem Hebetuch rutscht.



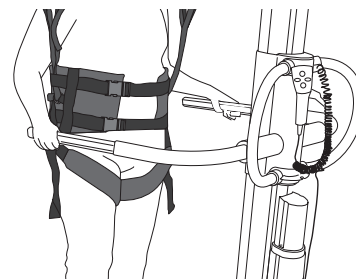
Bei korrekter Installation verhindert das Design der Hehebügelhaken, dass das Hebetuch sich versehentlich löst.



1. Stellen Sie sicher, dass das Hebetuch ordnungsgemäß am Benutzer anliegt und die Gurtschlaufen ordnungsgemäß an den Hehebügelhaken befestigt sind.
2. Ziehen Sie die Schlaufengurte des Hebetuchs an, ohne dabei den Benutzer anzuheben. Stellen Sie sicher, dass alle vier Schlaufen des Hebetuchs korrekt befestigt sind, um ein Herausrutschen oder Herausfallen des Benutzers zu verhindern.
3. Heben Sie den Benutzer an und führen Sie den Transport durch.

Tragarme (optional)

Der Lifter kann für Gehübungen mit Tragarmen verwendet werden.



Der Lifter kann mit Tragarmen geliefert werden oder die komplette Hebesäule kann mit Tragarmen als Zubehör geliefert werden als Austausch zur Originalhebesäule

Säule mit Tragarmen
Art. no. 1511002

Transport



Versuchen Sie beim Transport den im Lifter befindlichen Benutzer so niedrig wie möglich zu positionieren (wenn möglich so, dass die Füße auf dem Fahrgestell abgestellt werden können). Auf diese Art wird ein niedriger Schwerpunkt gewählt und das Risiko der Instabilität vermindert.



Heben Sie einen Benutzer niemals höher an, als für die Durchführung des Hebetransports unbedingt notwendig ist. Vergessen Sie nicht, dass die Räder eines mobilen Lifters NICHT blockiert sein dürfen.



Lassen Sie den Benutzer während des Hebetransports niemals unbeaufsichtigt.

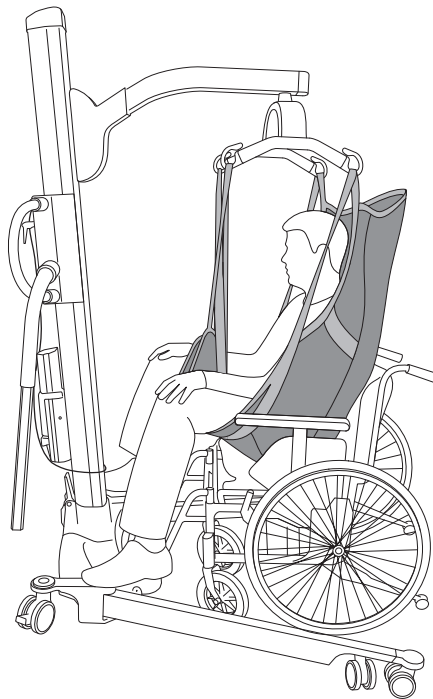
Gehen Sie während der Hebe-, Senk- und Drehbewegungen behutsam vor, da der sich im Lifter befindliche Benutzer hin und her schwenken kann. Seien Sie vorsichtig, wenn Sie den Transport in der Nähe von Möbeln durchführen und achten Sie darauf, dass der sich im Lifter befindliche Benutzer nicht mit diesen Objekten zusammenstößt.



Der Lifter darf nicht dazu benutzt werden, Benutzer auf unebenen Flächen hochzuheben oder zu bewegen

Vermeiden Sie hochflorige Teppiche, hohe Türschwellen, unebene Oberflächen und andere Hindernisse, die die Lenkräder blockieren könnten. Wenn der Lifter mit Gewalt über derartige Hindernisse hinwegbewegt wird, kann er instabil werden, wodurch die Kipp-/Umsturzgefahr erhöht wird.

In eine Sitzposition absenken

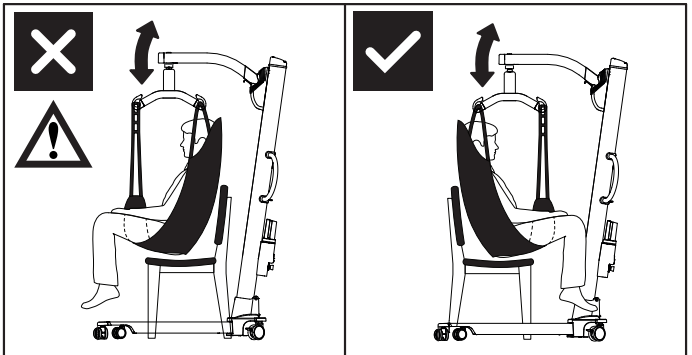


Um den Benutzer in eine Sitzposition zu bringen, können die folgenden Techniken angewandt werden, während der Benutzer so weit wie möglich zurück in den Sitz abgesenkt wird:

- A Positionieren Sie den Benutzer mithilfe des Fahrhandgriffs
- B Drücken Sie sanft gegen die Knie des Benutzers
- C Neigen Sie den Sitz nach hinten



Der Benutzer muss beim Anheben oder Absenken aus bzw. in einen Stuhl frontal zum Lifter stehen.



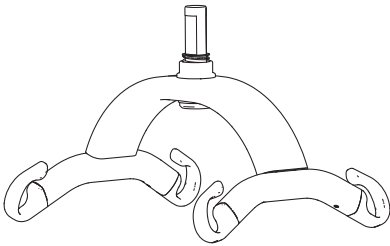
Zubehör

Empfohlenes optionales Zubehör und Gerät für Molift Partner 255.

Hebebügel

Der Molift Partner 255 kann mit einem 4-Punkt-Hebebügel oder einem 8-Punkt-Hebebügel verwendet werden.

Aluminium-Hebebügel



4-Punkt-Hebebügel Medium,
Aluminium, 450 mm,
Art.-Nr.: 1330060

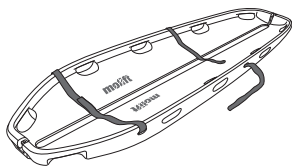
4-Punkt-Hebebügel Groß,
Aluminium, 550 mm,
Art.-Nr.: 1330061

4-Punkt-Hebebügel XL,
Aluminium, 650 mm,
Art.-Nr.: 1330062

8-Punkt-Hebebügel Groß,
Aluminium, 1430 mm,
Art.-Nr.: 2140002

Stretcher

Der Molift Stretcher kann in Kombination mit allen 4-Punkt-Hebebügeln von Molift Partner 255 verwendet werden.



MRT-kompatible Schaufeltrage (SWL 300 kg)
Art. no.: 2150108

Waage

Die Molift-Waage ist nach Klasse III zugelassen. Die Waage kann auch den BMI-Wert (Body Mass Index) berechnen.

Molift-Waage (ohne Hebebügel)
Art.-Nr.: 1331002

Slings

Etac bietet eine breite Auswahl von Hebetüchern für transportaufgaben aller Art an. Die Hebetuch-Serie Molift RgoSling kann sowohl mit einem 4-Punkt-Hebebügel als auch mit einem 2-Punkt-Hebebügel kombiniert werden. Die EvoSling-Serie von Etac kann mit einem 2-Punkt-Hebebügel kombiniert werden. Ein Verzeichnis der korrekten kombinationsmöglichkeiten für die einzelnen Hebetücher und Hebebügel finden Sie in der bedienungsanleitung der Hebetücher. Die Hebetuch-Serie ist in den Größen XXS - XXL aus Polyester oder aus Polyester-Netzgewebe erhältlich.

RgoSlings:

RgoSling Mediumback Padded (XS-XXL)
RgoSling Highback Padded (XS-XXL)
RgoSling Mediumback Net (XXS-XXL)
RgoSling Highback Net (XXS-XXL)
RgoSling Toilet Lowback (XXS-XXL)
RgoSling Toilet Highback (XXS-XXL)
RgoSling Amputee Mediumback (XXS-XXL)
RgoSling Amputee Highback (XXS-XXL)
RgoSling Ambulating Vest (XXS-XL)
RgoSling Comfort Highback (S-L)

Zubehör:

RgoSling Extension Loops
RgoSling Ambulating Vest Groin strap (XXS-XL)

Wartung

Reinigung und Desinfizierung

Reinigen Sie das Gerät regelmäßig. Säubern Sie die Oberflächen mit einem feuchten Tuch und mithilfe eines geeigneten pH-neutralen Reinigers. Verzichten Sie auf den Einsatz von Lösungsmitteln und scharfen Reinigungsmitteln, da diese die Oberfläche des Lifters beschädigen können. Für die Desinfektion (sofern erforderlich): Benutzen Sie Isopropylalkohol. Verwenden Sie keine scheuernden Reinigungsmittel. Entfernen Sie Haare und Fusseln von den Laufrollen und überprüfen Sie die Rollen auf reibungslosen Lauf. Reinigen Sie Kontaktflächen und Handsteuerung mit Isopropylalkohol, um Fett- und Schmutzrückstände zu entfernen. Überprüfen Sie nach der Reinigung den Not-Aus-Schalter und die Notabsenkung. Der Lift sollte nie fließendem Wasser ausgesetzt werden.



Stellen Sie sicher, dass bei der Reinigung die Etiketten nicht beschädigt oder entfernt werden.

Instandsetzung

Befolgen Sie die Reinigungs- und Montageanweisungen, führen Sie regelmäßige Inspektionen durch und gehen Sie nach der Montage die Checkliste durch, um den Lifter wieder instand zu setzen.

Recycling

In den „Recyclinganweisungen“ finden Sie Informationen zur ordnungsgemäßen Entsorgung des Produkts. Diese finden Sie auf www.etac.com.

Ersatzteile

Eine Ersatzteilliste ist auf Anfrage verfügbar.

Regelmäßige Inspektionen

Umfang der regelmäßigen Inspektion

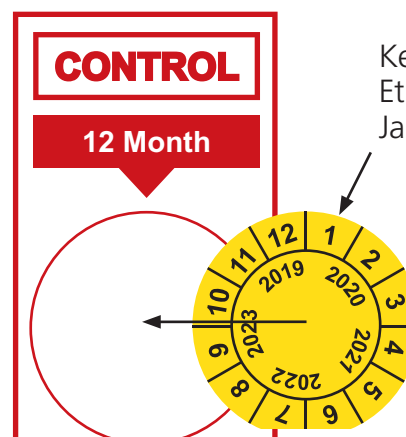
Die regelmäßige Inspektion umfasst eine visuelle Untersuchung (insbesondere in Bezug auf das lasttragende Gestell des Lifters und den Hebemechanismus mit Befestigungsvorrichtungen, Bremsen, Steuerelementen, Sicherheitsvorrichtungen und Personenträgern) gemäß dem Regelmäßigen Inspektionsbericht von Molift Partner 255. Diese finden Sie auf www.etac.com.



Sollte eine Sicherheitsgefahr bestehen, so muss der Lifter sofort außer Betrieb genommen und deutlich als „außer Betrieb“ gekennzeichnet werden. Eine Benutzung darf erst nach der Reparatur erfolgen

Die regelmäßige Inspektion muss jährlich durchgeführt werden, je nach den lokalen Anforderungen auch häufiger. Die Inspektionen dürfen nur von Wartungspersonal durchgeführt werden, das von Etac dazu autorisiert worden ist. Kontaktieren Sie Etac auf molift@etac.com wegen der erforderlichen Schulungen und Autorisierungen oder um einen autorisierten Service-Partner zu erfragen. Der Kontrolleur muss bei der Durchführung einer regelmäßigen Inspektion den Inspektionsbericht

für Molift Partner 255 ausfüllen. Die Berichte sollten von der/den Person(en) verwahrt werden, die für die Wartung des Lifters verantwortlich ist/sind. Sollten bei der Inspektion Schäden oder Defekte auftauchen, so ist der Eigentümer zu informieren. Nach Abschluss der regelmäßigen Inspektion versieht der Kontrolleur den Lifter mit einem Aufkleber auf dem Prüfetikett, der das Datum der regelmäßigen Inspektion angibt sowie mit einem Etikett (sechsstellige ID von Etac oder Fachhändler), welches den Kontrolleur angibt. Das Prüfetikett befindet sich auf der rechten Seite des Akkuhalters. Es zeigt auch das Datum an, an dem die nächste Wartung erfolgen muss.



Kennzeichnen Sie das Etikett mit Monat und Jahr der Inspektion

Fehlersuche und -behebung

Symptom	Mögliche Ursache/Maßnahme
Die Hebesäule ist wackelig	Die Hebesäule ist nicht richtig im Fahrgestell positioniert oder der Verriegelungsgriff ist nicht vollständig arretiert. Bauen Sie Säule und Fahrgestell ordnungsgemäß zusammen.
Der Lifter bewegt sich ungleichmäßig auf einer ebenen Fläche	Die Laufrollen bewegen sich aufgrund von Fusseln und Staub unregelmäßig. Reinigen Sie die Laufrollen. Entfernen Sie Haare und Schmutz.
Der Hebearm oder die verstellbaren Beine bewegen sich unkontrolliert.	Kurzschluss zwischen Handsteuerung und Lifter. Reinigen Sie den Handsteuerungsstecker oberflächlich mit Alkohol, um Fettrückstände zu entfernen.
	Defekte Handsteuerung. Handsteuerung ersetzen.
	Die Steuerelektronik hat versagt. Wenden Sie sich zwecks Reparatur an Ihren Etac-Vertreter vor Ort.
Der Lifter reagiert nicht auf die Betätigung der Handsteuerung/Der Hebearm bzw. die Beine bewegen sich nicht.	Not-Aus-Schalter ist aktiviert. Der Not-Aus-Schalter lässt sich durch Drehen im Uhrzeigersinn wieder zurückstellen.
	Der Akku ist leer. Akku austauschen oder wieder aufladen.
	Die Elektronik des Lifters ist überhitzt. Warten Sie, bis der Lifter wieder abgekühlt ist.
	Der Lifter ist überladen. Achten Sie darauf, dass die sichere Traglast (SWL) nicht überschritten wird.
	Die Handsteuerung ist nicht korrekt eingesteckt. Stecken Sie die Handsteuerung richtig ein. Die Handsteuerung, der Stecker oder das Kabel kann beschädigt worden sein und sollte in diesem Fall ausgetauscht werden.
	Zwischen den Kontaktstellen von Fahrgestell und Säule kann keine Verbindung aufgebaut werden. Säule ist nicht ordnungsgemäß am Fahrgestell befestigt. Bauen Sie Säule und Fahrgestell ordnungsgemäß zusammen.
	Defekte Steuerelektronik. Wenden Sie sich zwecks Reparatur an Ihren Etac-Vertreter vor Ort.
Der Akku wird nicht aufgeladen	Fehlerhafter Akku. Achten Sie beim Laden des Akkus auf die Ladeanzeigen am Ladegerät. Wechseln Sie den Akku aus.
	Fehlerhaftes Akkuladegerät. Achten Sie beim Laden des Akkus auf die Ladeanzeigen am Ladegerät. Wechseln Sie das Ladegerät aus.

Norsk manual

Viktig

Denne brukermanualen inneholder viktige sikkerhetsinstruksjoner og informasjon om bruk av løfteren og tilbehør.

I denne manualen brukes begrepene "bruker" om personen som løftes og "assistent" om personen som styrer løfteren.



Advarsel!

Dette symbolet indikerer viktig sikkerhetsinformasjon. Følg disse instruksene nøye.



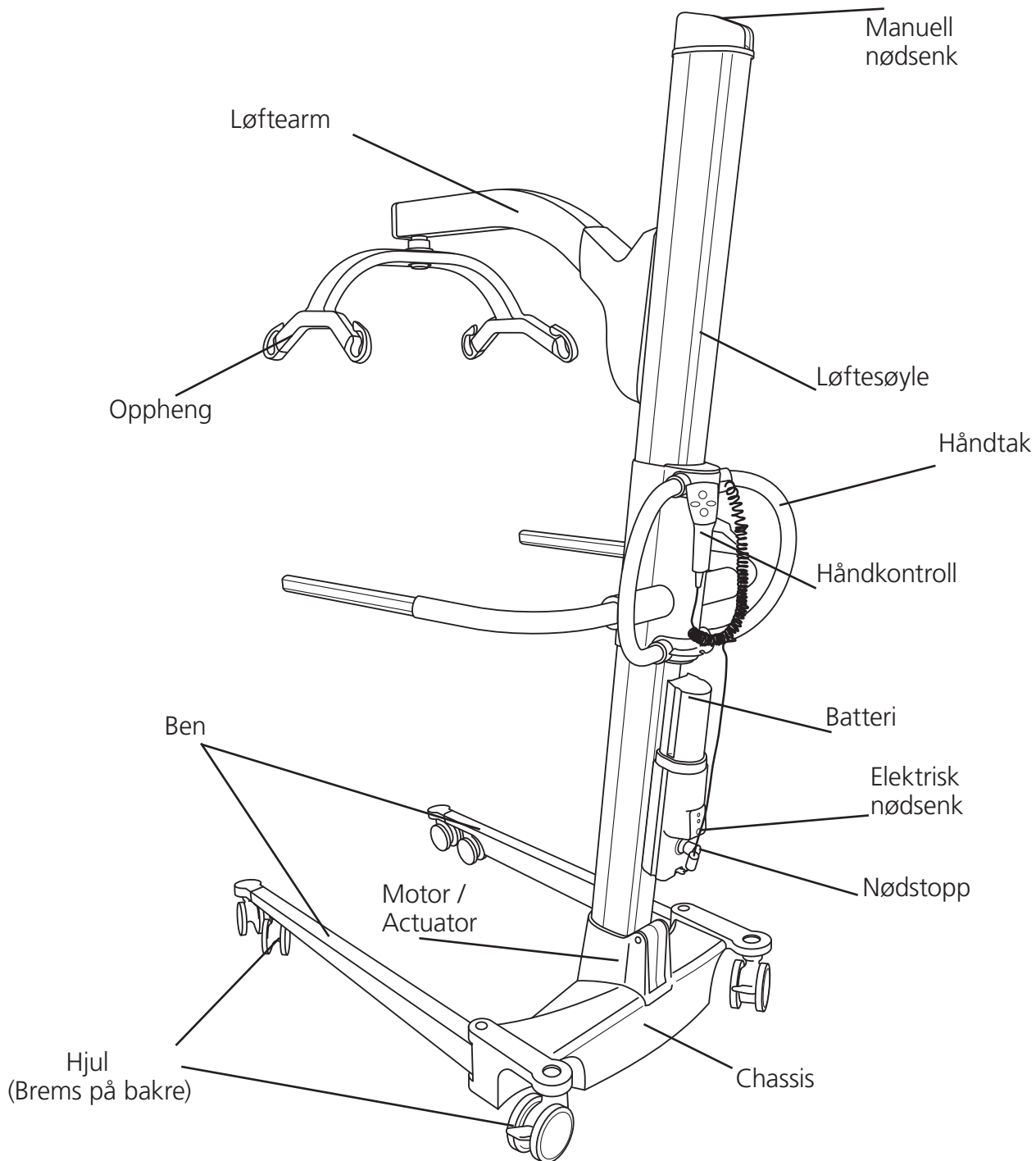
Les brukermanual før bruk.

Det er viktig at innholdet i denne brukermanualen leses og forstås før utstyret tas i bruk.

Besøk www.etac.com for å laste ned dokumentasjon, og sikre at du har den siste utgaven av brukermanualen.

Molift Partner 255

Komponenter:



Om Molift Partner 255

Molift Partner 255 er en ideell løsning for løfting i svært komplekse situasjoner innen akutt- og intensivpleie på sykehus og i pleieinstitusjoner. Molift Partner 255 har god løfterekkevidde på 37–179 cm (14,5–70,4") som gir enkel løfting fra både gulvet og høye overflater. Den rette loddrette søylen i kombinasjon med fast oppheng gir god stabilitet og sørger for god avstand mellom brukeren og

søylen. Molift Partner 255 har en totalvekt på 42,5 kg (94 lb), og er dermed en av de letteste løfterne i denne kategorien. Takket være kombinasjonen av god konstruksjon og hjul er den svært lett å manøvrere, med en sikker arbeidsbelastning på 255 kg (562 lb). Utstyrt med miljøvennlig NiMH-batteri.

Generelt



Samsvarserklæring

Produktet og tilhørende tilbehør, som er beskrevet i denne bruksanvisningen, er i samsvar med forordning (EU) 2017/745 av 5. april 2017 - som medisinsk utstyr, risikoklasse I. Produktet er testet og godkjent av en tredjepart i henhold til standardene IEC 60601-1, IEC 60601-1-2 og EN/ISO 10535:2006. Alle alvorlige hendelser som oppstår i forbindelse med enheten, skal rapporteres til produsenten og kompetent myndighet i landet der brukeren og/eller pasienten befinner seg.

Bruksbetingelser

Løft og forflytning av en person vil alltid innebære en viss risiko, og kun personer som har gjennomgått nødvendig opplæring kan bruke utstyret som omtales i denne brukermanualen. Skinnesystemet må være installert av sertifisert personell i henhold til gjeldene krav.

Modifikasjoner og bruk av komponenter laget av andre produsenter.

Vi anbefaler kun å bruke Molift komponenter og reservedeler. Samsvarserklæring er ikke gyldig og Etac er ikke ansvarlig for garanti hvis det blir gjort noen endringer på produktet. Etac skal ikke holdes ansvarlig for feil eller ulykker som kan oppstå ved bruk av komponenter fra andre produsenter.



Kun sertifisert personell kan åpne takheis eller utføre service eller reparasjon på takheis eller tilbehør. Det er fare for skade fra roterende deler og elektrisk sjokk.

Løfteren er ikke tiltenkt å styres av personene som løftes.

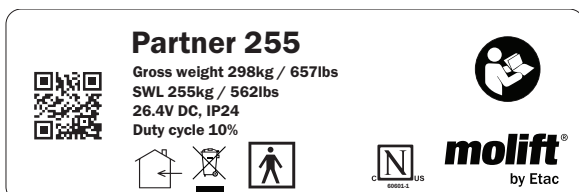
Garantimelding

To (2) års produktgaranti mot feil i materialer og arbeidsutførelse.
Ett (1) års batterigaranti.
Les vilkår og betingelser på www.etac.com.

Produktidentifikasjon

Produkt merkelapp

Hovedmerkelapp har en strekkode som inneholder Artikkelnummer, Serienummer og produksjonsdato.



Advarselsmerker og symboler

Symboler som er brukt på utstyret, forklart i detalj:



Type BF



Batteriindikator



CE merket



Sertifiseringsmerket



Les brukermanual



Produsent



Kun innendørs bruk



Produksjonsdato



Må ikke kastes i restavfall



Katalognummer



Nødsenk



Serienummer



Serviceindikator



Medisinsk utstyr

Teknisk data

Maks brukervekt, Safe Working Load (SWL):

255 kg (562 lbs)

Egenvekt:

Ekskl. batteri og oppheng:
38.3 kg/84.4 lbs

Chassis: 20 kg/44 lbs

Løftesøyle: 15 kg/33 lbs

Liftearm: 3.3 kg / 7.3 lbs

Batteri: 1,6 kg/3,5 lbs

4-punkt large oppheng: 3.5 kg/7.7 lbs

Batteri:

Art: 1341000

26.4 V NiMH 2.6 Ah

Batterilader:

100-240 V AC, 50-60 Hz

0,9 A output

Løfthastighet:

42.9mm/sekund (1.69 tommer/sekund)
med 75kg (165 lbs) last

Beskyttelse:

Håndkontroll IP24

Løftemotor IP24

Lydnivå, maks A-weighted sound power level:

$L_{WA} = 49,4$ dB

Betjeningskrefter:

Knapper på håndkontroll : 3.4 N

Materialer:

Aluminium, Plast

Motor:

Løftemotor/actuator: 24 V DC

Benspredningsmotor: 12 V DC

Rotasjonsdiameter:

1400 mm (55.1 tommer)

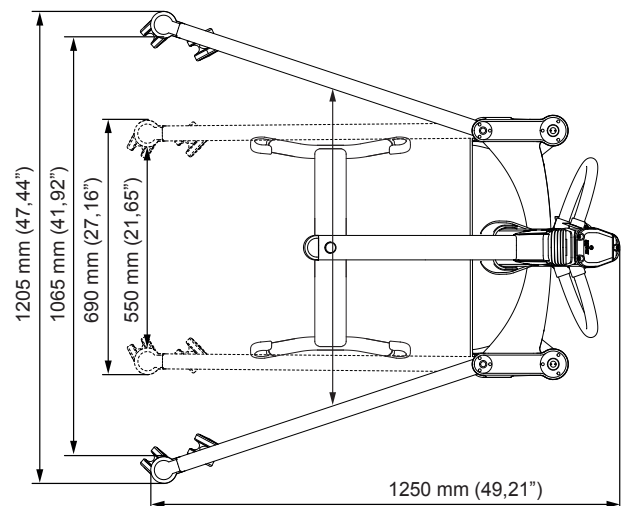
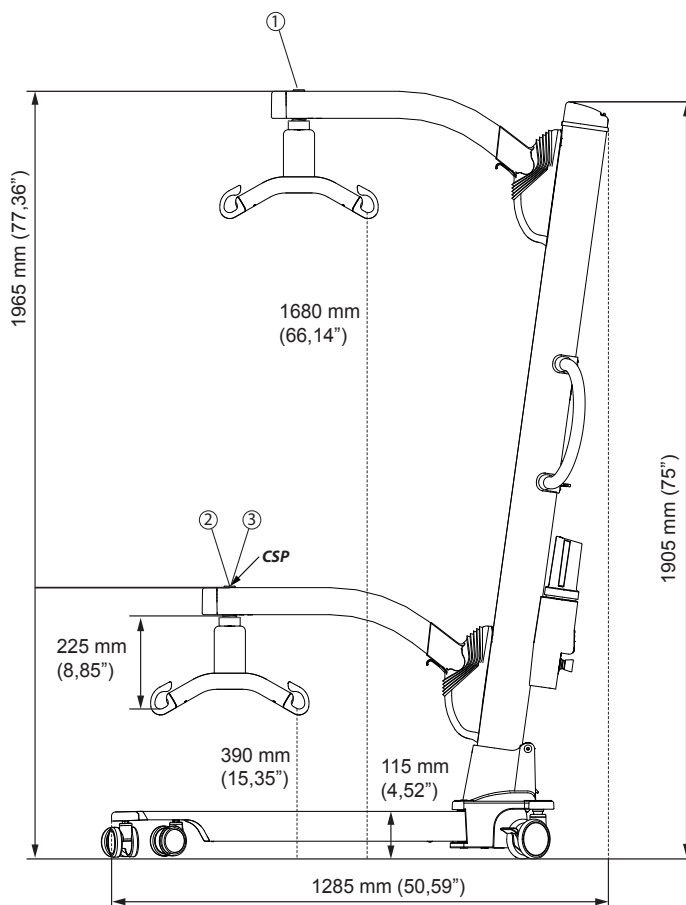
Antall løft med fullt oppladet batteri:

50 løft (75 kg / 165 lbs,

50 cm / 20 tommer)

Forventet levetid:

Løfteren har en forventet levetid på 30 000
SWL løft eller 10 år.



① Highest position: 1965 mm (77,36")

② Max reach: 615 mm (24,2")

③ Lowest position: 615 mm (24,2")

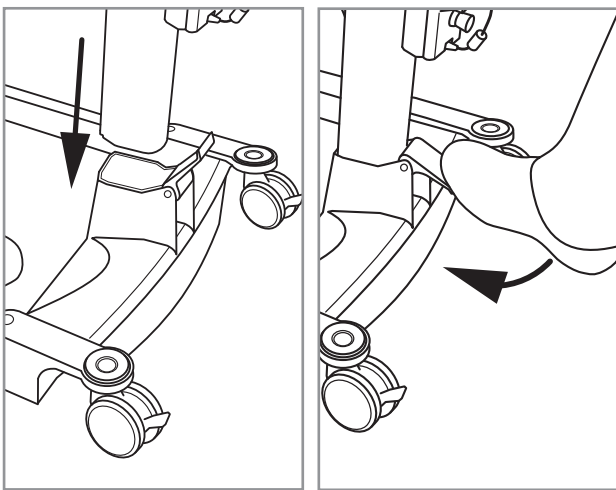
Installasjon

Lad batteriet. Batteriet må ikke stå i batteriholderen under installasjon av løfteren!

Løftesøyle

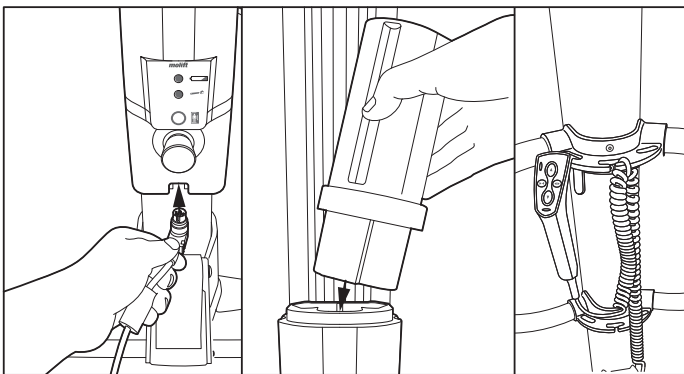
Sett løftesøylen i understellet. Pass på at den røde pilen på nedre del av søylen stemmer overens med kanten på understellet.

Pass på at skruen på søylen sitter i hullet i understellet. Dette hindrer at søylen løftes ut av understellet når låsehåndtaket skyves ned.



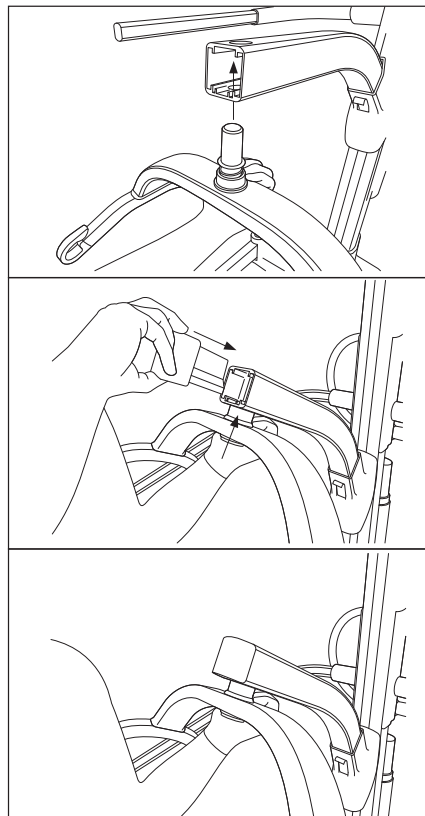
Fest søylen ved å skyve låsehåndtaket på baksiden helt ned.

Battery and Hand control



1. Koble til håndkontrollen på bunnen av batteriholderen.
2. Sett inn batteriet med polene vendt ned i holderen.
3. Fest håndkontrollen og ledningen i brakettene rundt håndtakene slik at den ikke henger ned på gulvet.

Montering av oppheng



1. Trykk opphengsbolten opp og gjennom løftearmen.
2. Pass på at bolten sitter som den skal før plastkappen trykkes tilbake på armen.
3. Kontroller at opphenget er ordentlig festet

Sjekkliste etter installasjon



Ikke ta i bruk løfteren før "sjekkliste etter installasjon" under er punktvis gjennomført.

Bruk denne sjekklisen for å bekrefte at løfteren er riktig installert og virker korrekt og sikkert før bruk.

- Sørg for at løftearmen, løftesøylen og opphenget er riktig festet og at det ikke er noen løse deler på løfteren.
- Sørg for at batteriet er fulladet (Ingen lys på batteriindikatoren).
- Sjekk om løfteren har noen åpenbare skader eller feil/mangler.
- Utfør et løft med en last (60-80 kg).

Hvordan bruke Molift Partner 255

Generelle sikkerhetsbetingelser

Bruk kun tilbehør og seil som er tilpasset brukers størrelse, vekt, funksjonsevne og typen av forflytning.

Driftssyklus

Molift Partner 255 kan kjøres konstant i maks 2 minutter (med maks last) og hvile i minimum 18 minutter. Driftssyklus 10 %. Intermittens i henhold til standard ISO-EN 10535.

Maks last (SWL 255)

Løfteren er merket med Safe Working Load (SWL)



Hvis maks last (SWL) er forskjellig for løfter, oppheng eller seil, så er alltid den laveste makslast gjeldende.



Molift løftere skal kun brukes til å løfte personer. Bruk aldri løfteren til å løfte eller flytte gjenstander av noe slag.

Før bruk / Daglig sjekk / Månedlig

Inspeksjon som bør gjøres daglig eller før bruk:

- Sjekk at løfter ikke har synlige skader, slitasje eller deformasjoner
- Sørg for at opphengets kobling og at alle avtakbare deler er skikkelig tilkoblet og festet.
- Sjekk at batterilampe ikke lyser og at service-lampe lyser grønt.
- Sjekk at løftebånd ikke har synlige skader eller slitasje
- Sørg for at hjulene ruller fritt og at løfteren er lett å manøvrere

Inspeksjon som bør gjøres månedlig:

- Test løfterens funksjoner og sørg for at løfter ikke lager unormale lyder.
- Test nødstoppbryter og nødsenk

Hvis det avdekkes feil eller mangler så må løfteren tas ut av drift og merkes med "i stand".

Håndkontroll

Håndkontrollen har 4 knapper for løft og senk av løftearm, og beinspredningsmekanismen inn og ut.

Håndkontrollen har en indikator som lyser når batterinivået er lavt og løfteren må lades.

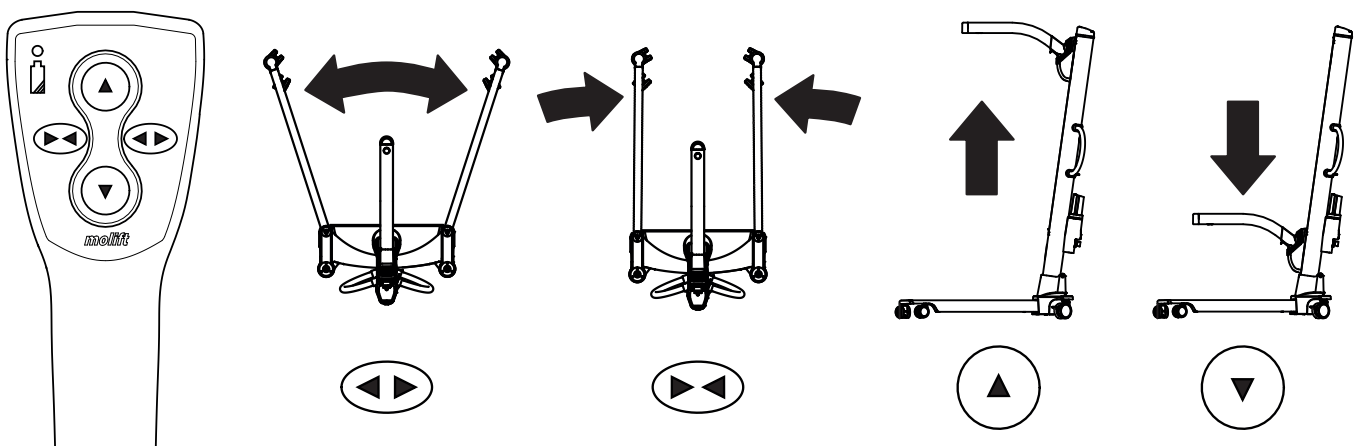
Håndkontroll med 4 knapper:
Art. no. 2018004

Løftearm - opp / ned

NB! Løfteren er ustabil i øverste position.

Ben - inn / ut

NB! Spredde ben øker stabiliteten og forbedrer tilgangen til stol/toalett.



Sikkerhetsfunksjoner

Molift Partner 255 er utstyrt med en rekke sikkerhetsfunksjoner, som er ment å forebygge skade på personell og utstyr i tilfeller hvor løfteren blir brukt feil.

Løfteren har en overbelastningssensor som forhindrer at løfteren kan tas i bruk om lasten overskrider SWL.

Løftearmen er hengslet for å unngå at brukeren blir klemt mellom løftearmen og opphenget. Actuatoren vil ikke produsere noe kraft når løftearmen senkes.

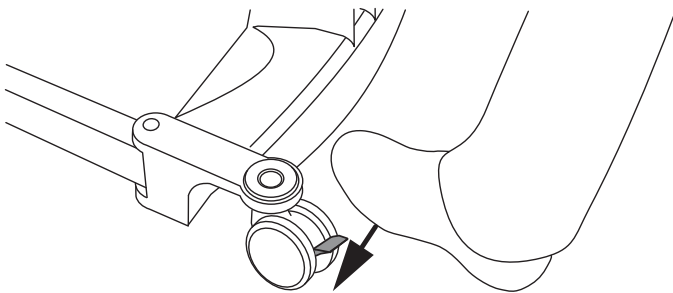
Elektronikken blir deaktivert om den blir overopphetet. Vent til løfteren har avkjølt seg før den tas i bruk igjen.

Handtak

Bruk håndtakene til å bevege løfteren rundt.

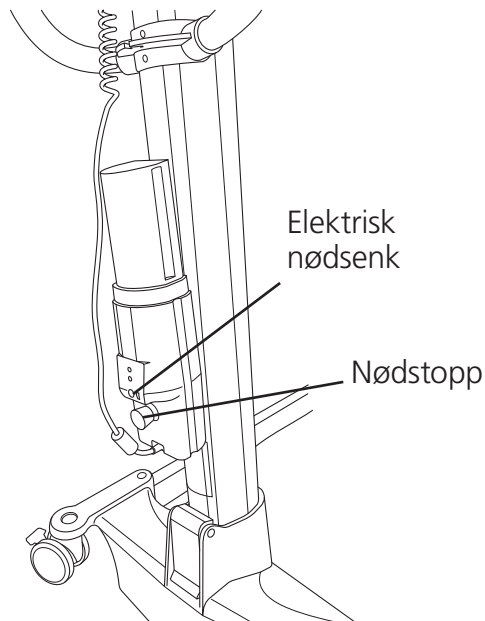
Løfteren skal bare brukes over kortere avstander. Det er ikke en erstatning for en rullestol eller lignende.

Bremser



Bakre hjul er utstyrt med brems. Tråkk på spaken for å låse bremsene. Vend opp for å låse opp.

Nødstopp/Nødsenk



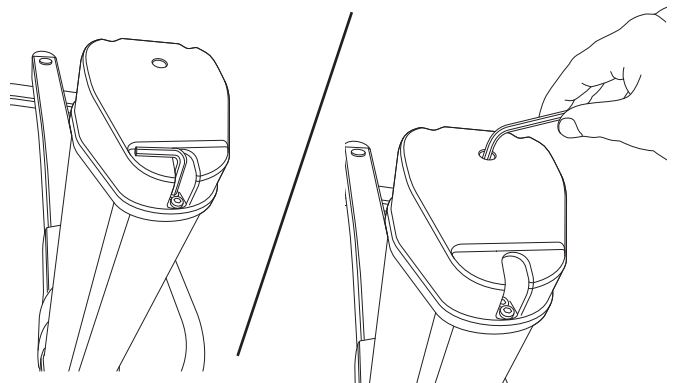
Nødstopp

Nødstopp slår av strømmen når bryteren presses inn. Vri bryteren med klokken for å resette nødstoppen (Løfteren er klar til bruk når du kan se den grønne ringen på bryteren).

Elektrisk nødsenk

Dytt og hold inne knappen for å senke løftearmen ved hjelp av elektrisk nødsenk. Elektrisk nødsenk fungerer ikke når nødstopp er aktivert.

Manuell nødsenk



Det sitter en unbrakonøkkel øverst på søylen, for bruk ved manuell senking. Skyv unbrakonøkkelen gjennom hullet på oversiden av søylen, og dreid den til pasienten er senket ned. Husk å fjerne unbrakonøkkelen fra hullet så snart pasienten er senket ned.

Kontakt Molift-servicepartneren etter nødsenking med ukjent årsak eller etter nødsenking på grunn av feil på komponenter eller deler.

Elektronikk

Transport og bruksforhold

Transport og lagring

For lang tids oppbevaring anbefales det at nød-stopptrykker er aktivert (bryter ute). Løfteren kan lagres og transporteres i temperaturer mellom -25 til 70 °C.

Bruksforhold

Løfteren er testet og godkjent for bruk i normal romtemperatur (+5 to +40°C).

Lufttrykk: 70 - 106 kPa

Relativ fuktighet: 15 - 93 %

Etter transport og lagring under andre forhold må løfteren stå i temperert rom til den oppnår normal driftstemperatur.



Medisinsk elektrisk utstyr krever spesielle forholdsregler vedrørende elektromagnetisk kompatibilitet (EMC). Bærbare og mobile radio frekvens (RF) kommunikasjonsutstyr kan påvirke medisinsk elektrisk utstyr og bør holdes på minimum 25 cm avstand fra løfterens elektronikk.

Batteri

Molift Partner 255 har en 26.4 V 2.6Ah NiMH batteripakke. Batteriet har en forventet levetid på omtrent 500 ladesykluser.



Lad batteriet når du mottar det, og deretter hvert halvår, for å unngå batterisvikt.



Brukte batterier må avfallssorteres som spesialavfall i henhold til lokale regler og forskrifter. Må ikke kastes i restavfall.



Batterier må lades og tømmes fullstendig ett par ganger før det oppnår full kapasitet. Følg også denne prosedyren hvis løfteren ikke har vært i bruk i en lengre periode (4 uker eller mer)

Batteri og servicelampe (LED)

Løfteren har to indikatorlys:

	Serviceindikator
	Batteriindikator

Det elektriske systemet har en strømsparingsfunksjon som slår av det elektriske systemet etter ti minutter med inaktivitet. All lamper vil slå seg av. Systemet reaktiveres ved å trykke på en av betjeningsknappene.

Batteriindikator (LED)

Batterilampen vil lyse og gi et lydsignal når batterinivået er lavt og takheisen trenger å lades. Når dette inntreffer vil takheisen ha nok strømkapasitet til å gjennomføre en full løftesyklus med maks last. Når batteriet er kritisk lavt vil det kun være mulig å senke løftearmen.

Serviceindikator

Løfterens elektronikk registrerer hvor mye som løftes og antall løft. Etter en viss periode vil servicelampen indikere at service er nødvendig.

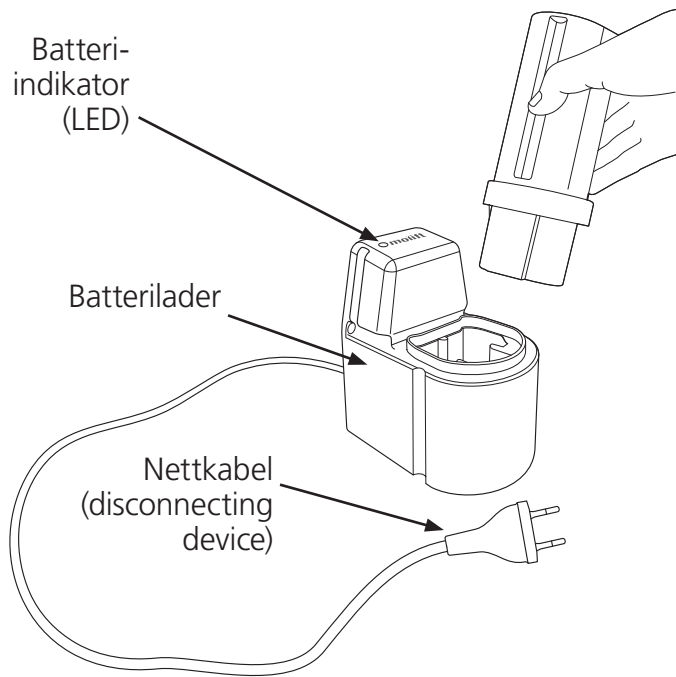
Serviceindikator	Status
Ikke lys	Strømsparing (Stand by)
Grønn	Klar for bruk
Gul	Bestill service
Rød	Utfør Service
Rød + lydsignal	Utfør Service umiddelbart

Service omfang

Service består av å bytte løftemotor og inspeksjon og bytte av slitte deler. Dette må utføres av autorisert personell.

Service er nødvendig når servicelampen lyser rødt (10.000 kalkulererte løft i SWL.)

Lading



Batterilader

Laderen kan brukes som en bordlader eller monteres til en vertikal overflate i nærheten av et strømuttak, minimum 120 cm over gulvet. Laderen må brukes utenfor pasientens omgivelser. Laderen må være plassert eller installert på en måte som gjør det enkelt å koble fra strømkabelen.. Sørg for å ikke skade kabelen. Laderen kan alltid være tilkoblet strømuttaket.

Batterilader 12-24V

Art. no. 1340100

Battery PowerPac 26,4 V NiMH

Art. no. 1341000

Laderindikator

Beskrivelse av batterindikatoren (LED):

LED	Modus
Gul	Klar for bruk, batteri ikke tilkoblet
Gul	Initiering
Rød	Hurtiglading
Grønn/Gul	Topplading
Grønn	Vedlikeholdslading
Rød/Grønn	Feil

Forflytning

Planlegg løfteoperasjonen på forhånd for å forsikre at den kan gjennomføres så behagelig og sikkert som mulig. Husk å arbeide ergonomisk. Vurder risikoen og ta notater. Assistenten er ansvarlig for sikkerheten til brukeren.

Molift Partner 255 kan brukes med 4-punkts oppheng til ulike typer forflytning: sittende, tilbakeleent eller gående.

Bruk av Seil

Det er viktig at seilet har blitt testet individuelt med bruker og for den tiltenkte forflytningssituasjonen.



Les brukermanualen for seilet før bruk.



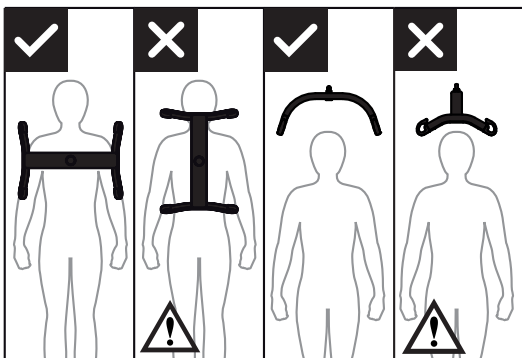
Aldri bruk skadede eller slitte seil.

Seil fra andre produsenter

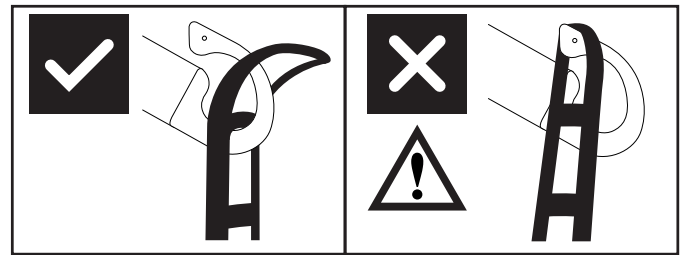
Vi anbefaler kun bruk av Molift seil. Etac er ikke ansvarlig for feil og skader som kan oppstå ved bruk av seil fra andre produsenter.

Løft og forflytning

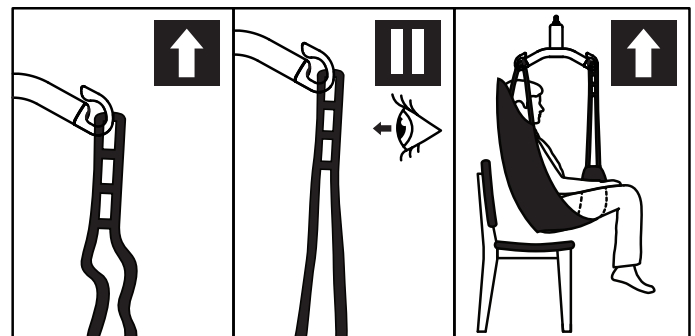
Når brukeren forflyttes, bør assistenten stå ved siden av personen som løftes. Sørg for at armer og ben ikke kolliderer med gjenstander eller møbler i rommet. Øyekontakt med brukeren anbefales for å gi brukeren økt følelse av sikkerhet.



4 punkts opphenget må alltid plasseres på tvers av bruker for å unngå at brukeren faller ut av seilet.



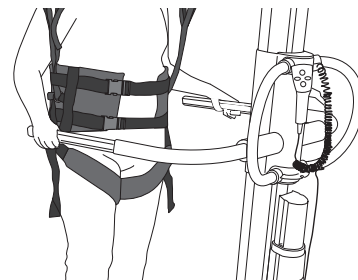
Løfteopphengs kroker er designet for å hindre at løfteseilets stropper faller ut, når de er montert korrekt.



1. Sjekk at seilet er riktig applisert på bruker og at løkkene er skikkelig festet til opphengets kroker.
2. Løft til stroppene strammes uten at bruker løftes. Sørg for at alle 4 løkker er skikkelig festet til opphengets kroker.
3. Løft bruker og gjennomfør forflytning

Støttearmer (ekstratilbehør)

Personløfteren kan ved hjelp av støttearmer også brukes til gåtrening.



Personløfteren kan leveres med støttearmer, eller en komplet løftesøyle med støttearmer kan leveres som ekstratilbehør som erstatning for den originale løftesøylen.

Søyle med støttearmer
Art. no. 1511002

Forflytning



Prøv å posisjonere brukeren så lavt som mulig (helst med føttene hvilende på chassi) under forflytning av brukeren. På denne måten vil man oppnå et lavt tyngdepunkt og redusere risikoen for at løfteren blir ustabil.



Løft aldri en bruker høyere enn det som er nødvendig for å utføre et løft. Husk at hjulene på en mobil løfter skal IKKE være låst.



Forlat aldri en bruker uten tilsyn i en løftesituasjon.

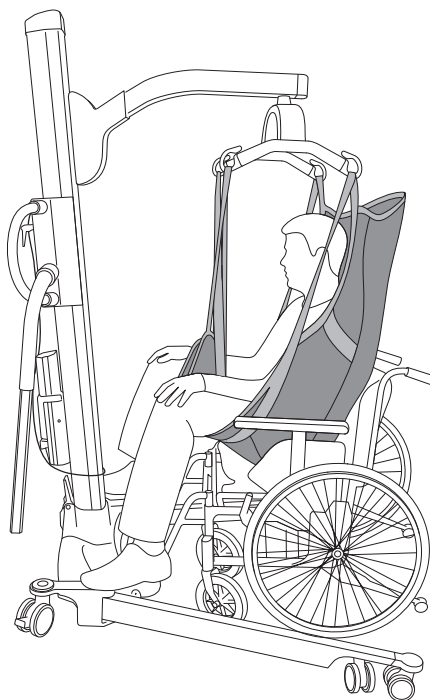
Vær forsiktig under forflytting, brukeren kan gyngje når løfteren roteres, stopper og starter. Vær forsiktig når man bruker løfteren i nærheten av møbler og lignende for å forhindre at man kolliderer med disse.



Løfteren skal ikke benyttes til å løfte eller flytte brukere på skrånende overflater.

Unngå dype tepper, høye terskler, ujevne overflater eller andre hindringer som kan blokkere hjulene. Løfteren kan bli ustabil if om man tvinger den over slike hinder, noe som øker risikoen for at løfteren velter.

Senking til sittende posisjon

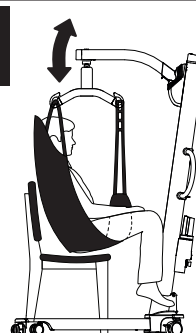


Følgende teknikker kan benyttes når man skal forflytte og senke brukeren så langt bak i setet som mulig:

- A Posisjoner brukeren ved hjelp av håndtakene.
- B Dytt forsiktig på brukerens kne.
- C Vipp setet bakover.



Brukeren må være vent mot løfteren når man løfter inn eller ut av en stol.



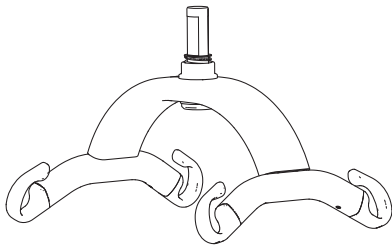
Tilbehør

Anbefalt ekstrautstyr og tilbehør for Molift Partner 255.

Oppheng

Molift Partner 255 kan brukes med 4-punkts eller 8-punkts oppheng.

Aluminum suspension



4-punkts Medium, aluminium, 450 mm,
Art. no.: 1330060

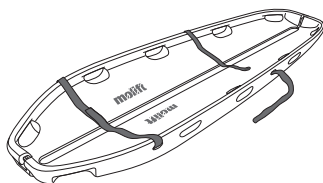
4-punkts Large, aluminium, 550 mm,
Art. no.: 1330061

4-punkts XL, aluminium, 650 mm,
Art. no.: 1330062

8-punkts Large, aluminium, 1430 mm,
Art. no.: 2140002

Båre

Molift båren kan brukes i kombinasjon med alle Molift Partner 255 4-punkt oppheng.



Scoop båre MR kompatibel (SWL 300 kg)
Art. no.: 2150108

Vekt

Molift vekt er godkjent i klasse III. Vekten kan også beregne BMI (Body Mass Index).

Molift vektsett (uten oppheng)
Art.nr.: 1331002

Seil

Etac tilbyr et bredt sortiment med seil for forskjellige typer forflytninger. Molift RgoSling er utviklet for bruk med 4-punkts oppheng, (fungerer også med 2-punkts oppheng). Etac EvoSling serien er utviklet for bruk med 2-punkts oppheng. Se kombinasjonslisten i seilets brukermanual for riktig kombinasjonsmuligheter for seil og oppheng. Seilene finnes i størrelse XXS-XXL, som modell med polstring eller uten polstring med nettingstoff.

RgoSlings:

RgoSling Mediumback Padded (XS-XXL)
RgoSling Highback Padded (XS-XXL)
RgoSling Mediumback Net (XXS-XXL)
RgoSling Highback Net (XXS-XXL)
RgoSling Toilet Lowback (XXS-XXL)
RgoSling Toilet Highback (XXS-XXL)
RgoSling Amputee Mediumback (XXS-XXL)
RgoSling Amputee Highback (XXS-XXL)
RgoSling Ambulating Vest (XXS-XL)
RgoSling Comfort Highback (S-L)

Tilbehør:

RgoSling Extension Loops
RgoSling Ambulating Vest Groin strap (XXS-XL)

Vedlikehold

Rengjøring og desinfisering

Rengjør regelmessig. Vask overflater med lett fuktet klut med et egnet pH-nøytralt rengjøringsmiddel. Ikke bruk kraftige eller etsende midler, dette kan skade overflaten på løfteren. For desinfeksjon i nødvendige tilfeller; benytt isopropyl alkohol. Ikke bruk slipemidler. Fjern hår og smuss fra hjulene og sørg for at hjulene roterer fritt. Rengjør kontakt og håndkontroll med isopropyl alkohol for å fjerne støv og smuss. Kontroller nødstopp og nødsenk etter rengjøring. Løfteren bør ikke eksponeres for rennende vann



Sørg for å ikke fjerne eller skade merkelapper ved vask.

Rekondisjonering

Følg vedlikehold og installasjonsveiledninger, gjennomfør periodisk inspeksjon og bruk sjekklister etter installasjon for rekondisjonering av takheisen.

Resirkulering

Se eget dokument med Resirkuleringsinstruksjoner for å resirkulere produktet på en korrekt måte. Denne kan lastes ned på www.etac.com

Reservedeler

En liste med reservedeler er tilgjengelig på forespørsel.

Periodisk inspeksjon

Periodisk inspeksjon omfang

Periodisk inspeksjon består av en visuell kontroll (spesielt av løfterens bærende konstruksjon og løftmekanismen med tilkoblinger, brems, kontroller, sikkerhetsfunksjoner og tilhørende løfteutstyr) i henhold til Periodisk Inspeksjonsrapport for Molift Partner 255. Denne kan lastes ned på www.etac.com.



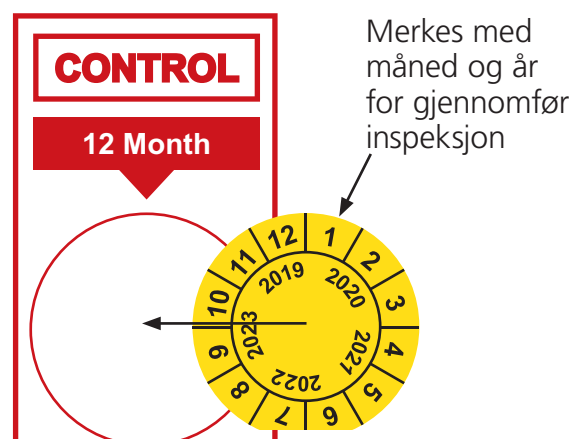
Hvis inspeksjonen avdekker feil eller mangler som påvirker sikkerheten så skal løfteren tas ut av drift og merkes tydelig med "i ustand" og skal ikke bli brukt igjen før feilen er utbedret.

Periodisk inspeksjon skal utføres minst en gang i året eller oftere hvis det kreves av lokale bestemmelser. Inspeksjonen må utføres av servicepersonell sertifisert av Etac. Kontakt Etac på molift@etac.com for trening og autorisering eller anbefaling av en godkjent servicepartner.

Når periodisk inspeksjon utføres skal inspektøren fylle ut inspeksjonsrapport for Molift Partner 255. Rapporten skal oppbevares av den som er ans-

varlig for service av takheisen. Hvis inspeksjonen avdekker feil eller mangler, skal eieren varsles.

Når periodisk inspeksjon er gjennomført skal inspektøren merke takheisen med et klistremerke på kontroll merkelappen, som viser når periodisk inspeksjon er gjennomført og en label (med en 6 sifret ID fra Etac eller distributør) som viser hvem som har gjennomført periodisk inspeksjon. Kontroll merkelappen finnes på innsiden av sidekselet, og denne vil indikere når neste service skal utføres.



Feilsøking

Symptom	Mulig feil/Tiltak
Løftesøylen er vinglete.	Løftesøylen er ikke riktig plassert i understellet eller låsehåndtaket er ikke fullstendig låst. Monter søylen og understellet riktig.
Løfteren beveger seg ugjevnt på en plan overflate.	Hjulene beveger seg ugjevnt på grunn av støv og smuss. Rengjør hjulene og fjern hår og smuss.
Løftearmen eller benspredningen beveger seg ukontrollert.	Kortslutning mellom håndkontroll og løfter. Rengjør overflaten på håndkontroll-pluggen. Fjern fett.
	Håndkontroll er defekt. Erstatt håndkontroll med en ny.
	Elektronikken i håndkontrollen er defekt. Kontakt din lokale distributør for service.
Løfteren reagerer ikke ved bruk av håndkontrollen / løftearmen eller benspredningen beveger seg ikke.	Nødstoppbryter er aktivert. Vri bryteren med klokken for å tilbake stille nødstopp.
	Batteriet er tomt. Bytt ut eller lad batteriet.
	Løfterens elektrikk er overopphetet. Prøv igjen etter løfteren har kjølt seg ned.
	Løfteren er overbelastet. Sørg for at lasten ikke overskrider SWL.
	Håndkontrollen er ikke tilstrekkelig koblet til. Plugg inn håndkontroll på nytt. Håndkontroll, plugg eller kabel kan være ødelagt og bør i så fall byttes ut.
	Ikke kontakt mellom løftesøyle og chassi. Løftesøylen er ikke korrekt plassert i chassiet. Assemble column and chassis properly.
	Elektronikken i håndkontrollen er defekt. Kontakt din lokale distributør for service.
	Feil ved batteriet. Sjekk indikatorer på laderen under lading. Prøv et annet batteri.
Batteriet lader ikke.	Feil ved batteriet. Sjekk indikatorer på laderen under lading. Prøv et annet batteri.

Svensk manual

Viktigt

Denna handbok innehåller viktiga säkerhetsanvisningar och information om hur lyften och dess tillbehör ska användas.

I den här handboken är brukaren den person som lyfts. Assistenten är den person som hanterar och styr lyften.



Varning!
Denna symbol indikerar särskilt viktig säkerhetsinformation. Följ dessa anvisningar noga.

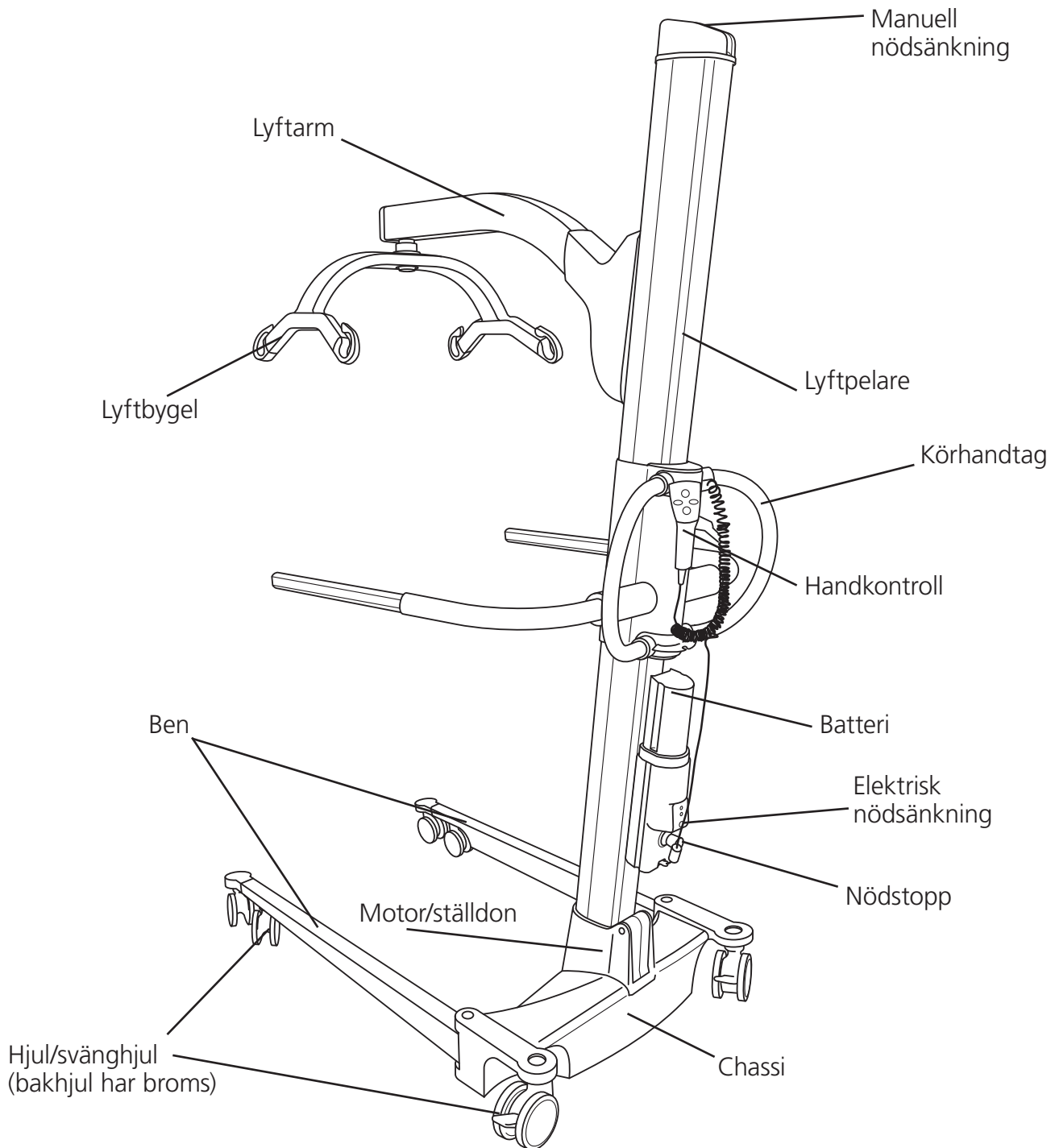


Läs användarhandboken innan du börjar använda lyften!
Det är viktigt att du förstår innehållet i handboken fullt ut innan du försöker använda utrustningen.

På www.etac.com kan du ladda ned dokumentation så att du garanterat har den senaste versionen.

Molift Partner 255

Lyftens komponenter:



Om Molift Partner 255

Molift Partner 255 är den perfekta lyftlösningen i miljöer där komplicerade situationer ofta uppstår, till exempel på akut- och intensivvårdsavdelningar på både sjukhus och vårdenheter. Lyftprestandan är utmärkt: lyftområdet på 37–179 cm innebär att Molift Partner 255 kan användas för enkla lyft från såväl golv som riktigt höga nivåer. Den raka, lodräta pelaren i kombination med den fixerade

lyftbygeln ger utmärkt stabilitet, och brukaren hålls på ett tryggt och rejält avstånd från pelaren. Totalvikten på 42,5 kg gör Molift Partner 255 till en av de lättaste lyftarna i sin kategori. Smart formgivning och en högkvalitativ hjulkonstruktion gör lyften mycket lättmanövrerad även vid maximal arbetslast på 255 kg. Lyften drivs av ett miljövänligt NiMh-batteri.

Allmänt



CE-märkning

Produkten och de tillbehör som beskrivs i denna bruksanvisning överensstämmer med förordning (EU) 2017/745 av den 5 april 2017 som medicinteknisk produkt, riskklass I. Produkten har testats och godkänts av tredje part i enlighet med standarderna IEC 60601-1, IEC 60601-1-2 och EN/ISO 10535:2006.

Alla allvarliga incidenter som inträffar och som är relaterade till produkten ska rapporteras till tillverkaren och den behöriga myndigheten i det medlemsland där användaren och/eller patienten bor.

Villkor för användning

Lyft och flyttning av en person medför alltid vissa risker. Endast utbildad personal får använda den utrustning och de tillbehör som beskrivs i denna handbok.

Modificeringar och användning av komponenter från andra tillverkare.

Vi rekommenderar att endast komponenter och reservdelar för Molift används. Försäkran om överensstämmelse är inte giltig och Etac tar inget garantiansvar om modifieringar har utförts på produkten. Etac tar inget ansvar för fel eller olyckor som kan inträffa om komponenter från andra tillverkare används.



Endast behörig personal har rätt att öppna lyften eller något av dess tillbehör för att utföra underhåll eller reparationer. Risk för skador från roterande delar och elstötar.

Lyften är inte avsedd att styras och hanteras av den person som lyfts.

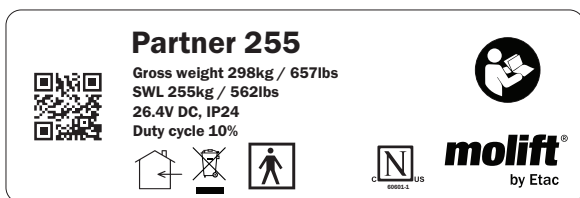
Garantimeddelande

Två års garanti mot defekter i utförande och material i våra produkter.
Ett års garanti på batterier.
Se www.etac.com för villkor.

Produktidentifiering

Produktetikett

Strekkoden på produktetiketten innehåller artikelnummer, serienummer och tillverkningsdatum.



Varningsetiketter och symboler

Närmare beskrivning av de symboler som finns på produkten:



Anbringad del av typ BF



Batterilampa



CE-märkt



Certifieringsorgan



Se användarhandbok



Manufacturer



Endast för inomhusbruk



Date of manufacture



Får ej kasseras i hushållssoporna



Catalogue number



Nödsänkning



Serial number



Service-lampa



Medical Device

Tekniska data

Maximalt tillåten belastning (SWL):

255 kg (562 lbs)

Enhetens vikt:

Exkl. batteri och lyftbygel:

38.3 kg/84,4 lbs

Chassi: 20 kg/44 lbs

Lyftpelare: 15 kg/33 lbs

Batteri: 1,6 kg/3,5 lbs

4-punkt lyftbygel, storlek M: 3,5 kg/7.7 lbs

Batteri:

Art.nr: 1341000

26.4 V NiMH 2.6 Ah

Batteriladdare:

100-240 V AC, 50-60 Hz

0,9 A output

Lyfthastighet:

42.9 mm/sekund

med 75 kg belastning

Kapslingsklass:

Handkontroll IP24

Lyftmotor IP24

Maximal A-viktad ljudeffektnivå:

$L_{WA} = 49,4$ dB

Tryckkraft för knapp:

Knappar på handkontroll: 3.4 N

Material:

Aluminium, plast, stål

Motor:

Lyftmotor/ställdon: 24 V DC

Motor för benutfällning: 12 V DC

Vänddiameter:

1400 mm (55.1 inches)

Antal lyft med fulladdat batteri:

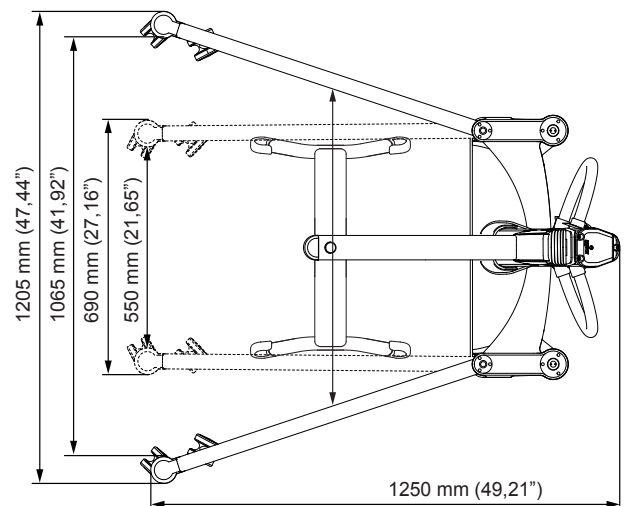
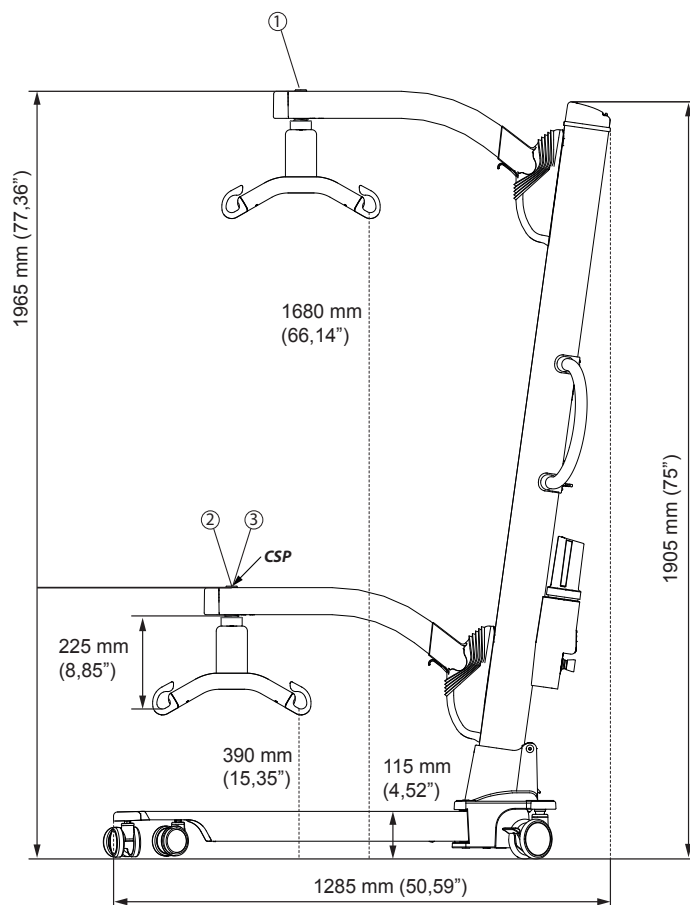
50 lyft (75 kg, 50 cm)

Lång livslängd:

Lyften har en förväntad livslängd på

30 000 cykler eller 10 år

(förutsatt maximal belastning).



① Highest position: 1965 mm (77,36")

② Max reach: 615 mm (24,2")

③ Lowest position: 615 mm (24,2")

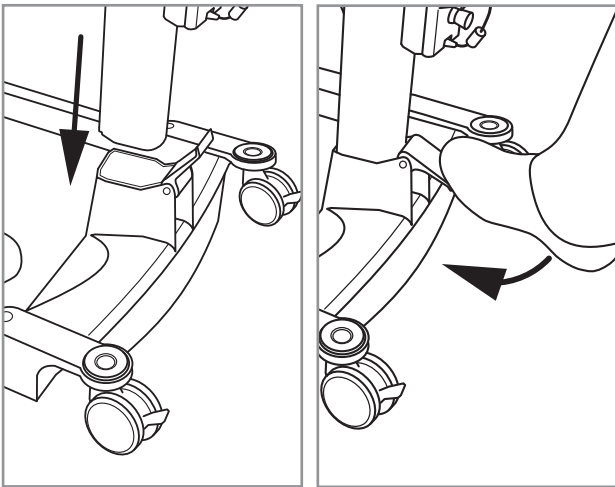
Montering

Ladda batteriet. Batteriet får inte sitta i batterihållaren under monteringen!

Lyftpelare

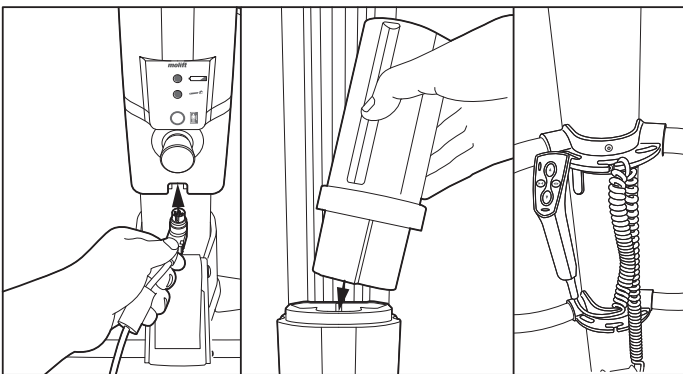
Placera lyftpelaren i chassit. Se till att den röda pilen på den nedre delen av pelaren är i linje med chassikanten.

Se till att skruven på pelaren sitter i hålet på chassit. Detta förhindrar att pelaren oavsiktligt lyfts ut ur chassit när låshandtaget trycks ned.



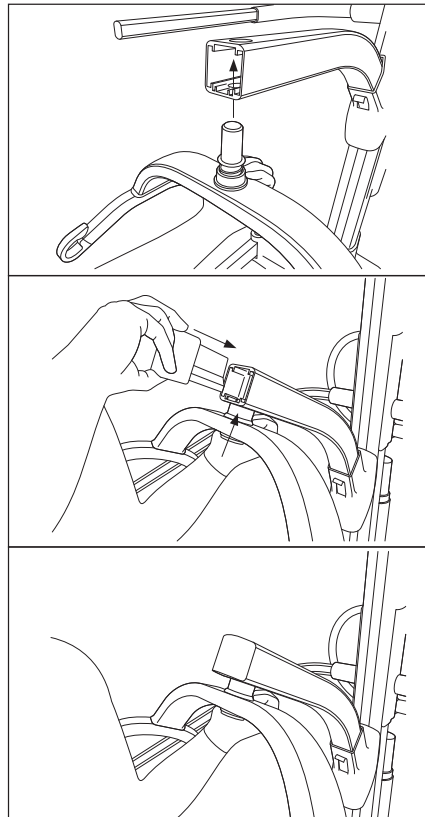
Fixera pelaren genom att trycka ned låshandtaget på baksidan hela vägen ned.

Batteri och handkontroll



1. Anslut handkontrollen till undersidan av batterihållaren.
2. Sätt i batteriet med polerna vända nedåt.
3. Sätt fast handkontrollens kabel i tryckhandtaget så att kontrollen inte faller till golvet om den tappas.

Montering av lyftbygel



1. Tryck skruven för lyftbygeln hela vägen upp genom lyftarmen.
2. Kontrollera att skruven sitter rätt innan plastlocket sätts tillbaka på armen.
3. Kontrollera att lyftbygeln sitter fast ordentligt

Checklista efter montering



Börja inte använda liften efter monteringen innan fullständig kontroll enligt checklistan har gjorts.

Använd denna checklista för att verifiera att liften är rätt monterad och fungerar korrekt och säkert innan den används.

- Kontrollera att lyftarmen, lyftpelaren och lyftbygeln är korrekt fästa och att det inte finns några lösa delar på liften.
- Kontrollera att batteriet är laddat (att batterilampan inte lyser).
- Kontrollera att liften inte har några synliga skador eller andra fel.
- Utför ett lyft med belastning (60–80 kg)

Använda Molift Partner 255

Allmänna säkerhetsföreskrifter

Använd endast tillbehör och selar som är justerade för att passa brukaren, typen av funktionshinder, kroppsstorleken, vikten och typen av flyttning.

Intermittent drift – drift-/pausintervall.

Molift Partner 255 får inte köras konstant i mer än 2 minuter (vid maximal belastning), vilket sedan ska följas av en paus på minst 18 minuter. Arbetscykel 10 % (förhållandet mellan arbete/paus). (Intermittens enligt standarden SS-EN ISO 10535)

Maximalt tillåten belastning (SWL)

Lyften är märkt med maximal tillåten belastning (SWL)



Om den maximala belastningen (SWL) är olika för lyftbygeln och selen eller annat lyfttillbehör ska alltid den lägsta maxbelastningen användas.



Molift-lyften får endast användas för att lyfta personer. Använd aldrig lyften för att lyfta eller flytta någon typ av föremål.

Kontroll före användning / varje dag / varje månad

Följande inspektion ska utföras dagligen eller före användning:

- Kontrollera att lyften inte har synliga skador, defekter eller deformationer.
- Kontrollera att lyftbygeln anslutning och alla löstagbara delar är rätt monterade och sitter fast ordentligt.
- Kontrollera att batterilampan inte lyser och att servicelampan lyser grönt.
- Kontrollera att selens band inte har några synliga skador eller har fransat sig.
- Kontrollera att hjulen rullar fritt och att lyften är lätt att manövrera.

Följande inspektion ska utföras varje månad:

- Provkör lyftens manöverfunktioner och kontrollera att inga onormala ljud hörs
- Testa nödstoppknappen och nödsänkningen

Vid fel eller brister ska lyften tas ur drift och märkas med "ur funktion".

Handkontroll

Handkontrollen har fyra knappar för att hissa lyftarmen upp/ned och för att öppna/stänga benen.

På handkontrollen finns en indikeringslampa som tänds när batteriet börjar ta slut och lyften behöver laddas

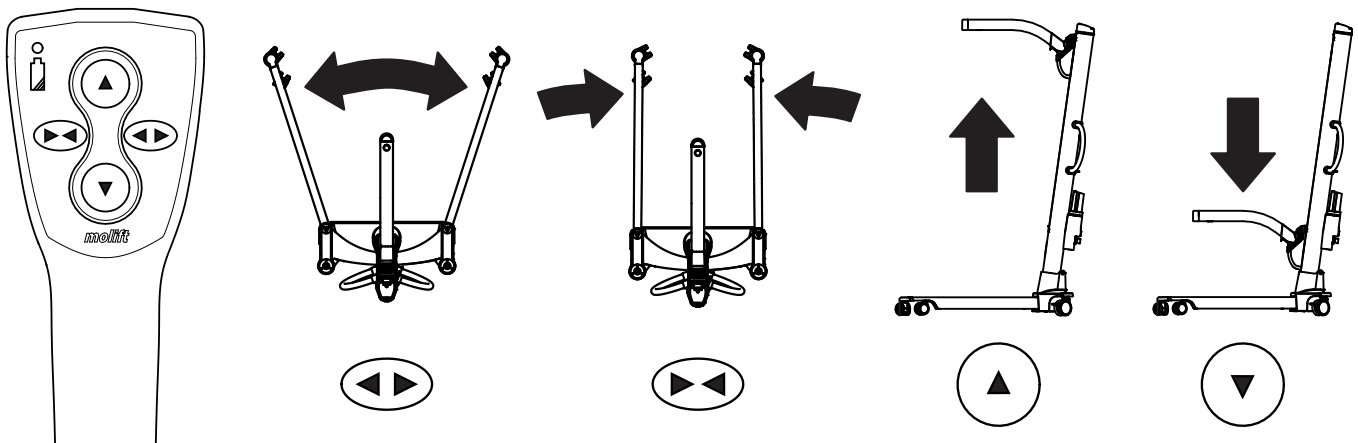
Handkontroll med fyra knappar
Art.nr.: 2018004

Lyftarm – upp/ned

OBS! Lyften är som mest instabil när den är maximalt upphissad.

Ben – in/ut

OBS! Öppna ben ger ökad stabilitet och gör det enklare att komma nära intill en stol eller toalett.



Säkerhetsanordningar

Molift Partner 255 har flera säkerhetsanordningar som är avsedda att förhindra person- och materialskador i händelse av felaktig användning.

Lyften har en överlastgivare som förhindrar användning om lasten överskrider den maximalt tillåtna säkra lasten (SWL).

Lyftarmen har ett gångjärn som förhindrar att brukaren hamnar i kläm mellan armen och lyftbygeln. Ställdonet utövar ingen kraft vid nedåtgående rörelse.

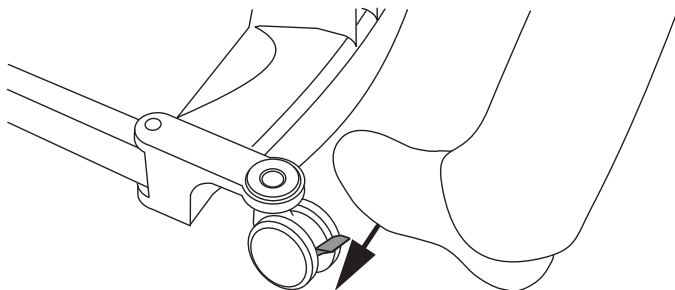
Elektroniken inaktiveras vid överhettning. Vänta tills lyften har svalnat innan den används igen.

Körhandtag

Använd körhandtagen för att flytta lyften.

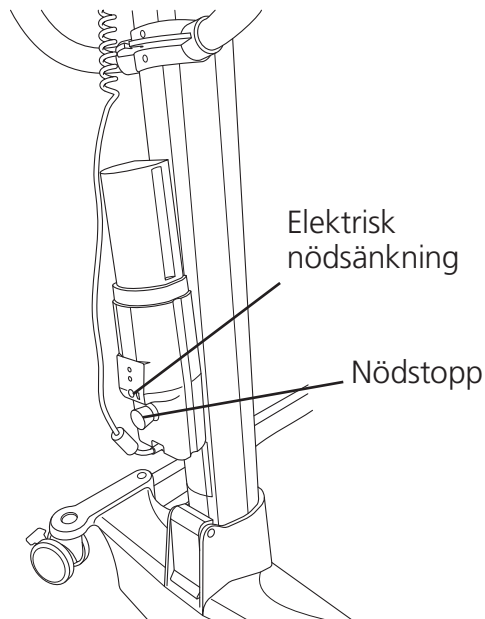
Lyften får endast användas för korta förflyttningar. Den får inte användas i stället för en rullstol eller liknande.

Bromsar



Bakhjulen har bromsar. Trampa på spaken för att låsa bromsen. Fäll upp den för att låsa upp.

Nödstopp / nödsänkning



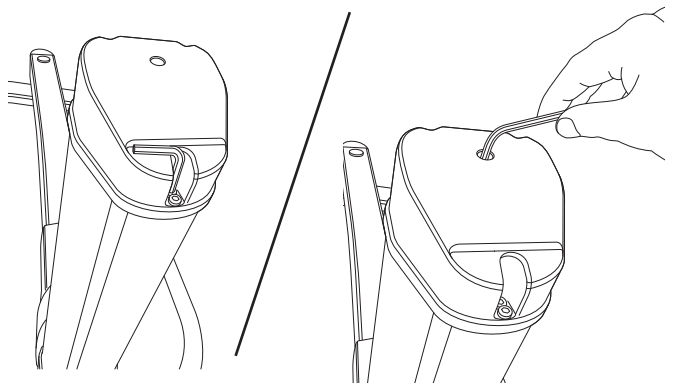
Nödstopp

När nödstoppet trycks in stängs strömmen av. Vrid knappen medurs för att återställa den (lyften kan användas igen när den gröna ringen är synlig).

Elektrisk nödsänkning

Håll in knappen för elektrisk nödsänkning för att hissa ned lyftarmen. Funktionen för elektrisk nödsänkning kan inte användas när nödstoppet är aktiverat.

Manuell nödsänkning



En insexnyckel finns längst upp på pelaren som ska användas för manuell sänkning. Tryck insexnyckeln genom hålet längst upp på pelaren och skruva tills brukaren har sänkts ned till lämplig nivå.

Kom ihåg att ta ut insexnyckeln så snart nedsänkningen har slutförts.

Kontakta Molift service om det inte går att avgöra varför en nödsänkning blev nödvändig eller om den utfördes på grund av att någon del av lyften gått sönder.

Elektronik

Transport- och användningsförhållanden

Transport och förvaring

Vid förvaring under längre perioder rekommenderar vi att nödstoppknappen är aktiverad (intryckt). Lyftens kan förvaras och transporteras vid temperaturer mellan -25 och 70 °C.

Användning

Lyften är utformad för användning i normal rumstemperatur (+5 till +40 °C).

Lufttryck: 70–106 kPa

Relativ fuktighet: 15–93 %

Om förvaring eller transport skett vid andra temperaturer än de som anges ovan ska lyften ställas i ett rum med lämplig temperatur tills den nått säker driftstemperatur.



Elektrisk utrustning för medicinskt bruk kräver särskilda försiktighetsåtgärder vad gäller elektromagnetisk kompatibilitet (EMC). Bärbar eller mobil radiokommunikationsutrustning kan påverka den medicinska elektriska utrustningen och ska därför hållas på minst 25 cm avstånd från lyftens elektroniska komponenter.

Batteri

Molift Partner 255 har ett 26,4 V NiMH-batteri på 2,6 Ah. Batteriet har en förväntad livslängd på ca 500 laddningscykler.



Ladda batteriet vid leverans och därefter var sjätte månad för att undvika batterifel.





Begagnade batterier måste kasseras som specialavfall i enlighet med lokala regler och bestämmelser. Får ej kasseras i hushållssoporna



Batterierna måste laddas upp och tömmas helt några gånger innan de når sin fulla kapacitet. Detta gäller också om lyften inte har använts under en längre tid (4 veckor eller mer).

Batteri- och servicelamporna (LED)

Det finns två indikeringslampor på lyftens batterihållare.

	Service-lampa
	Batterilampa

Elsystemet har en strömsparfunktion som stänger av elsystemet när lyften inte har använts på tio minuter. Då släcks även alla lampor.

Systemet aktiveras genom ett tryck på någon av manöverknapparna

Batterilampa (LED)

Batterilampan (LED) tänds och en ljudsignal hörs när batterinivån är låg och lyften behöver laddas. När detta sker har lyften fortfarande tillräckligt med ström kvar för en hel lyftcykel med maxbelastning. När batterinivån har nått en kritiskt låg nivå går det endast att sänka lyftarmen.

Service-lampa

Lyftens elektronik registrerar de laster som lyfts och antalet lyft. Efter en given driftstid avges en signal för att indikera att lyften behöver service.

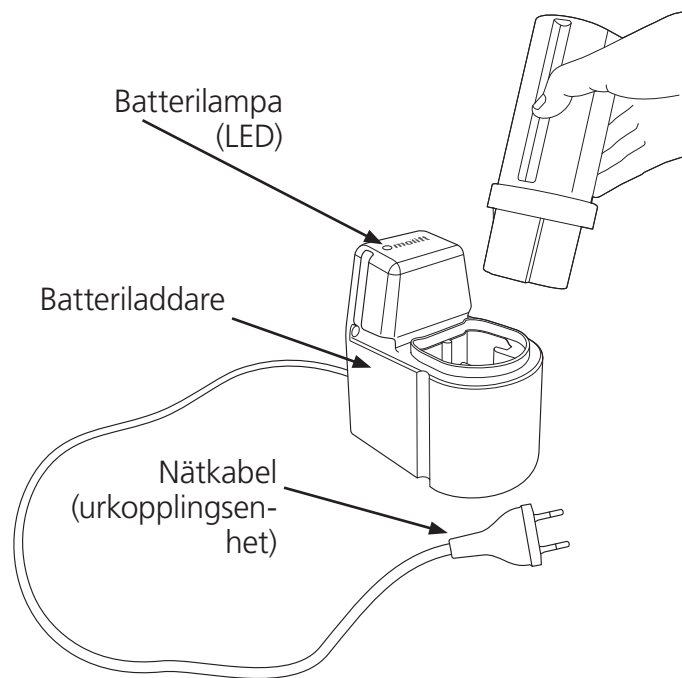
Service-lampa	Läge
Släckt	Strömsparläge (standby)
Grön	Klar för användning
Gul	Beställ service
Röd	Utför service
Röd + ljudsignal	Utför service omedelbart

Servicens omfattning

I servicen ingår byte av lyftmotor och inspektion/utbyte av utslitna delar. Service måste utföras av behörig personal.

Service krävs när servicelampan lyser med rött sken (efter 10 000 lyft i SWL).

Laddning



Batteriladdare

Batteriladdaren kan användas som bordsladdare eller monteras på en lodrät väggyta nära ett vägguttag, minst 120 cm över golvet. Laddaren måste användas utanför patientmiljön. Laddaren måste placeras eller installeras på ett sätt som gör det enkelt att dra ut kontakten. Var försiktig så att kabeln inte skadas. Kontakten till laddaren kan sitta inkopplad i vägguttaget hela tiden.

Batteriladdare 12-24V
Art.nr 1340100

Battery PowerPac 26,4 V NiMH
Art.nr 1341000

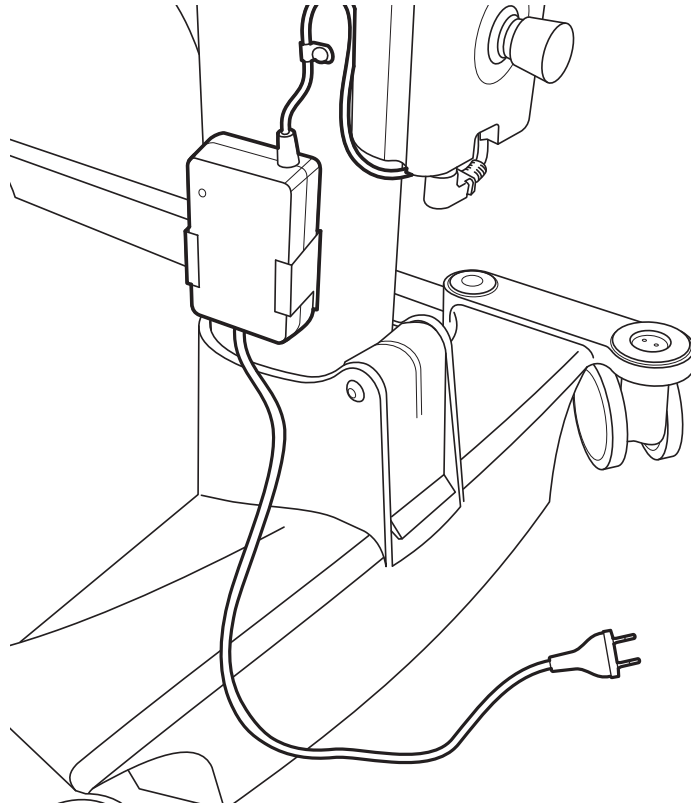
Laddningslampa

Beskrivning av batterilampa (LED):

LED	Läge
Gul	Klar att använda, inget batteri anslutet
Gul	Initialiserar
Röd	Snabbladdning
Grön/gul	Fulladdning
Grön	Underhållsladdning
Röd/grön	Fel

Inbyggd laddare (tillval)

Med en inbyggd laddare är det möjligt att ladda lyften utan att ta ut batteriet. Parkera lyften och sätt i kontakten i ett vägguttag för att ladda batteriet. Lyften kan levereras med inbyggd laddare, eller också kan laddaren levereras som tillbehör och monteras i efterhand.



Inbyggd laddare
Art. no. 1340101

Förflyttning

Planera lyftmomentet före lyft, så att det sker så tryggt och smidigt som möjligt. Tänk på att arbeta ergonomiskt. Gör en riskbedömning och dokumentera. Assistenten är ansvarig för brukarens säkerhet.

Molift Partner 255 kan användas med en 4-punkts lyftbygel för olika typer av förflyttningar: sittande, halvliggande eller ambulerande.

Användning av sele

Det är viktigt att lyftselen är utprovad för den enskilda brukaren och den tilltänkta lyftsituationen.



Läs användarhandbok som hör till selen innan den används.



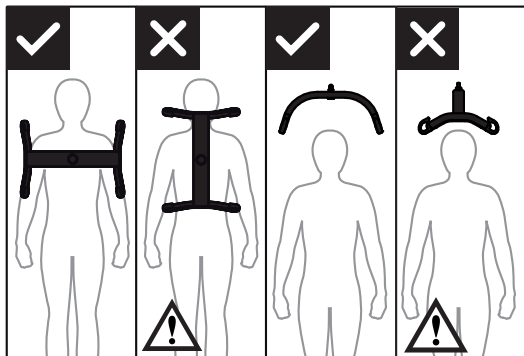
Skadade eller kraftigt slitna selar får inte användas.

Selar från andra tillverkare

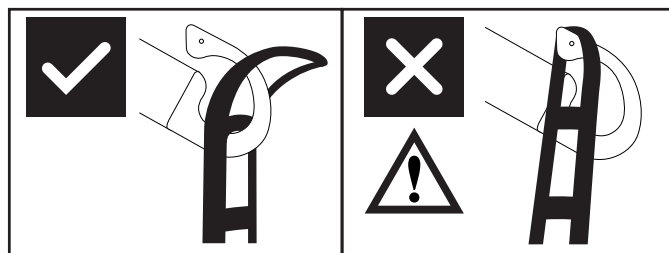
Vi rekommenderar att endast Molift-selar används. Etac ansvarar inte för sådana fel eller olyckor som kan inträffa om selar från andra tillverkare används.

Lyftning och sänkning

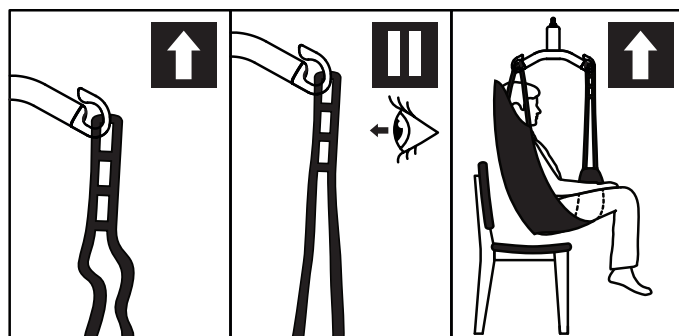
Stå vid sidan av brukaren när du lyfter honom/henne. Kontrollera att armar och ben inte hamnar i vägen för stol, säng eller dylikt. Håll ögonkontakt med brukaren så att han/hon känner sig trygg.



4-punktslyftbygel ska alltid placeras på tvären över brukaren för att förhindra att han/hon råkar glida ur lyftselen.



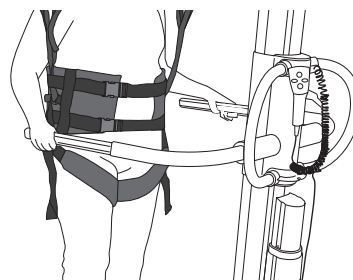
Lyftbygelns utformning med krokar förhindrar att selen – förutsatt att den är korrekt monterad – oavsiktligt kopplas loss.



1. Kontrollera att selen sitter på rätt sätt runt brukaren och att bandöglorna sitter som de ska i lyftbygelns krokar.
2. Sträck selens band utan att lyfta brukaren. Se till så att krokarna sitter ordentligt fast i selens alla fyra öglor för att förhindra att brukaren glider eller faller ned.
3. Lyft brukaren och utför förflyttningen.

Stödarmar (tillbehör)

Lyften kan användas för gåträning med stödarmar.



Lyften kan levereras med stödarmar, eller så kan komplett lyftpelare med stödarmar levereras som tillbehör för utbyte av originallyftpelaren.

Pelare med stödarmar
Art. nr. 1511002

Förflyttning



En upplyft brukare bör placeras så lågt som möjligt under förflyttningen (helst så att denne kan låta fötterna vila mot chassit). På så vis hamnar tyngdpunkten lågt, vilket minskar risken för instabilitet.



Lyft aldrig en brukare högre än vad som är nödvändigt för lyftets genomförande. Tänk på att hjulen INTE får vara låsta på en lyft i rörelse.



Lämna aldrig en brukare utan tillsyn i en lyftsituation.

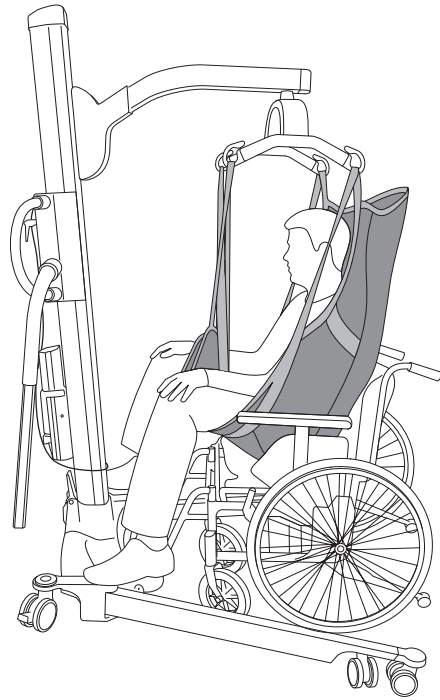
Var försiktig under förflyttningen, då en upplyft brukare kan komma i gungning vid häftiga rörelser. Var försiktig vid manövrering nära möbler så att inte brukaren slår emot dem.



Använd inte lyften för att lyfta eller förflytta brukare från sluttande ytor.

Undvik mattor med lång lugg, höga trösklar, ojämna ytor eller andra hinder som kan blockera svänghjulen. Lyften kan komma ur balans om den förs över sådana hinder vilket ökar risken för att lyften ska välta.

Nedsänkning till sittande position

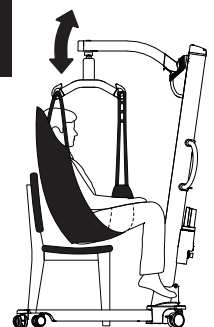


När brukaren sänks ned till sittande position kan följande tekniker användas för att brukaren ska hamna så långt bak på sitsen som möjligt:

- A Placera brukaren i rätt position med hjälp av körhandtaget
- B Tryck försiktigt på brukarens knän
- C Luta sätet bakåt.



Brukaren måste vara vänd mot lyften vid lyft upp ur eller sänkning ner i en stol.



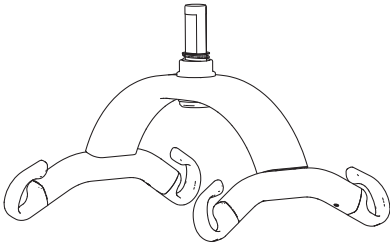
Tillbehör

Rekommenderad extrautrustning och rekommenderade tillbehör för Molift Partner 255.

Lyftbyglar

Molift Partner 255 kan användas med en 4-punkts lyftbygel eller en 8-punkts lyftbygel.

Lyftbygel i aluminium



4-punkts Medium, aluminum, 450 mm,
Art.nr: 1330060

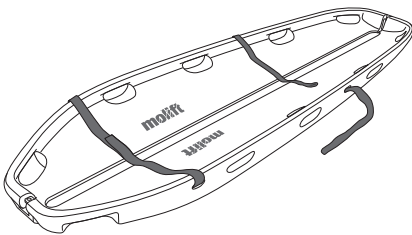
4-punkts Large, aluminum, 550 mm,
Art.nr: 1330061

4-punkts XL, aluminum, 650 mm,
Art.nr: 1330062

8-punkts Large, aluminum, 1430 mm,
Art.nr: 2140002

Bår

Molift-båren kan användas i kombination med alla Molift 4-punkts lyftbyglar



MRT-kompatibel skålformad bår (maxlast 300 kg)
Art. nr.: 2150108

Våg

Molift-vågen är en godkänd klass III-våg. Vågen kan även användas för att beräkna BMI (Body Mass Index).

Molift vågsats (utan lyftbygel)
Art.nr: 1331002

Selar

Etac erbjuder ett brett sortiment av selar för olika slags förflyttningar.

Serien Molift RgoSling är utvecklad för användning tillsammans med 4-punkts lyftbygel (fungerar även med 2-punkts lyftbygel).

Serien Etac EvoSling är utvecklad för användning tillsammans med 2-punkts lyftbygel.

Se kombinationslistan i selens användarhandbok för att hitta rätt kombination av sele och lyftbygel.

Selarna finns i storlekarna XXS–XXL, i polyester och nätpolyester.

RgoSlings:

RgoSling Mediumback Padded (XS-XXL)

RgoSling Highback Padded (XS-XXL)

RgoSling Mediumback Net (XXS-XXL)

RgoSling Highback Net (XXS-XXL)

RgoSling Toilet Lowback (XXS-XXL)

RgoSling Toilet Highback (XXS-XXL)

RgoSling Amputee Mediumback (XXS-XXL)

RgoSling Amputee Highback (XXS-XXL)

RgoSling Ambulating Vest (XXS-XL)

RgoSling Comfort Highback (S-L)

Tillbehör:

RgoSling Extension Loops

RgoSling Ambulating Vest Groin strap (XXS-XL)

Underhåll

Rengöring och desinfektion

Rengör regelbundet. Rengör ytorna med fuktig trasa och lämpligt pH-neutralt rengöringsmedel. Använd inte lösningsmedel eller starka vätskor eftersom det skada lyftens ytor. För desinfektion vid behov: använd isopropylalkohol. Undvik slipande rengöringsmedel. Ta bort hår och mattlugg från hjulen och kontrollera att de kan rulla fritt. Använd isopropylalkohol för att ta bort fett och smuts på kontakten och handkontrollen. Kontrollera nödstopps- och nödsänkningfunktionen efter rengöring. Lyften får inte sköljas i rinnande vatten.



Undvik att skada eller avlägsna etiketter under rengöring.

Rekonditionering

Följ anvisningarna för rengöring och montering, genomför periodisk inspektion och använd check-listan efter montering för att rekonditionera lyften.

Återvinning

Se dokumentet Återvinning Mover 180 för information om hur produkten ska kasseras. Det finns på www.etac.com.

Reservdelar

En lista över reservdelar kan fås på begäran.

Periodisk inspektion

Den periodiska inspektionens omfattning

Den periodiska inspektionen är en visuell undersökning (framför allt av lyftens lastbärande struktur och lyftmekanismen, inklusive fästen, bromsar, kontroller, säkerhetsanordningar och selar och andra lyfttillbehör) i enlighet med den periodiska inspektionsrapporten för Molift Partner 255. Det finns på www.etac.com.



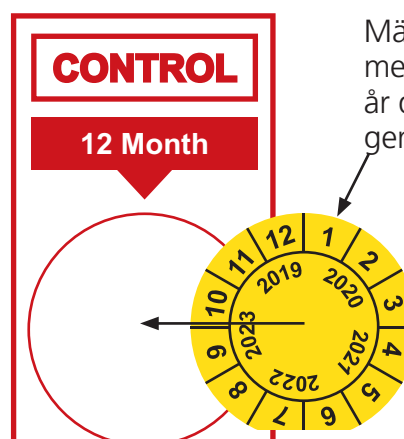
Om säkerhetsrisker föreligger ska lyften omedelbart tas ur drift och tydligt märkas med "ur funktion". Lyften får sedan inte användas igen förrän den har reparerats.

Den periodiska inspektionen ska genomföras minst en gång om året, eller oftare om lokala bestämmelser kräver det. Inspektionen måste utföras av servicepersonal som auktoriserats av Etac. Kontakta Etac på molift@etac.com för utbildning och auktorisering eller rekommendation av godkänd servicepartner.

När en periodisk inspektion utförs ska inspektören fylla i inspektionsrapporten för Molift Partner 255. Rapporterna ska bevaras av den/de person(er) som ansvarar för service av lyften.

Om defekter och/eller skador upptäcks vid inspektionen ska ägaren meddelas om detta .

När den periodiska inspektionen är slutförd ska inspektören fästa ett klistermärke på kontrolletiketten med datumet då den periodiska inspektionen genomfördes samt en etikett (med en 6-siffrig ID-kod från Etac eller distributören) där det framgår vem som har utfört inspektionen. Kontrolletiketten sitter på höger sida av batterihållaren och visar när det är dags för nästa servicetillfälle.



Märk etiketten med månad och år då inspektionen genomfördes.

Felsökning

Symptom	Möjlig orsak / åtgärd
Lyftpelaren är instabil.	Lyftpelaren sitter fel i chassit, eller också har skruven på chassits fram- eller baksida inte dragits åt ordentligt. Sätt ihop pelare och chassi korrekt och dra åt skruvarna ordentligt.
Lyften rör sig ojämnt trots att underlaget är jämnt.	Svänghjulen rör sig ojämnt på grund av mattludd och damm. Rengör svänghjulen. Avlägsna hår och smuts.
Lyftarmen eller de fällbara benen rör sig okontrollerat.	Kortslutning mellan handkontroll och lyft. Rengör kontakten till handkontrollen med tvätt-sprit för att få bort fett.
	Defekt handkontroll. Byt ut handkontrollen.
	Det är fel på styrelektroniken. Kontakta en lokal representant för service.
Lyften svarar inte på handkontrollen / lyftarmen eller benen rör sig inte.	Nödstoppsknappen är aktiverad. Vrid knappen medurs för att återställa nödstoppet.
	Batteriet är urladdat. Byt ut eller ladda batteriet.
	Lyftens elektronik är överhettad. Vänta tills den har svalnat.
	Lyften är överbelastad. Kontrollera att belastningen inte överstiger tillåten maxlast.
	Handkontrollen är inte korrekt inkopplad. Anslut handkontrollen korrekt. Handkontrollen, kontakten eller sladden kan vara trasig och måste i så fall bytas.
	Chassi och pelare sitter inte ihop som de ska. Pelaren är felmonterad i chassit. Montera pelare och chassi korrekt.
	Fel på styrelektroniken. Kontakta en lokal representant för service.
Batteriet laddas inte	Fel på batteriet. Kontrollera lamporna på laddaren under laddningen. Prova med ett annat batteri.
	Fel på batteriladdaren. Kontrollera lamporna på laddaren under laddningen. Prova med en annan laddare.

Suomenkielinen käyttöohje

Tärkeää

Tämä käyttöohje sisältää potilasnosturin ja lisävarusteiden käyttöön liittyviä tärkeitä turvallisuusohjeita ja tietoja.

Käyttöohjeessa käyttäjällä tarkoitetaan nostettavaa henkilöä.

Avustaja on potilasnosturia käyttävä henkilö.



Varoitus!

Tämä merkki tarkoittaa tärkeitä turvallisuuteen liittyviä tietoja. Noudata näitä ohjeita huolellisesti.



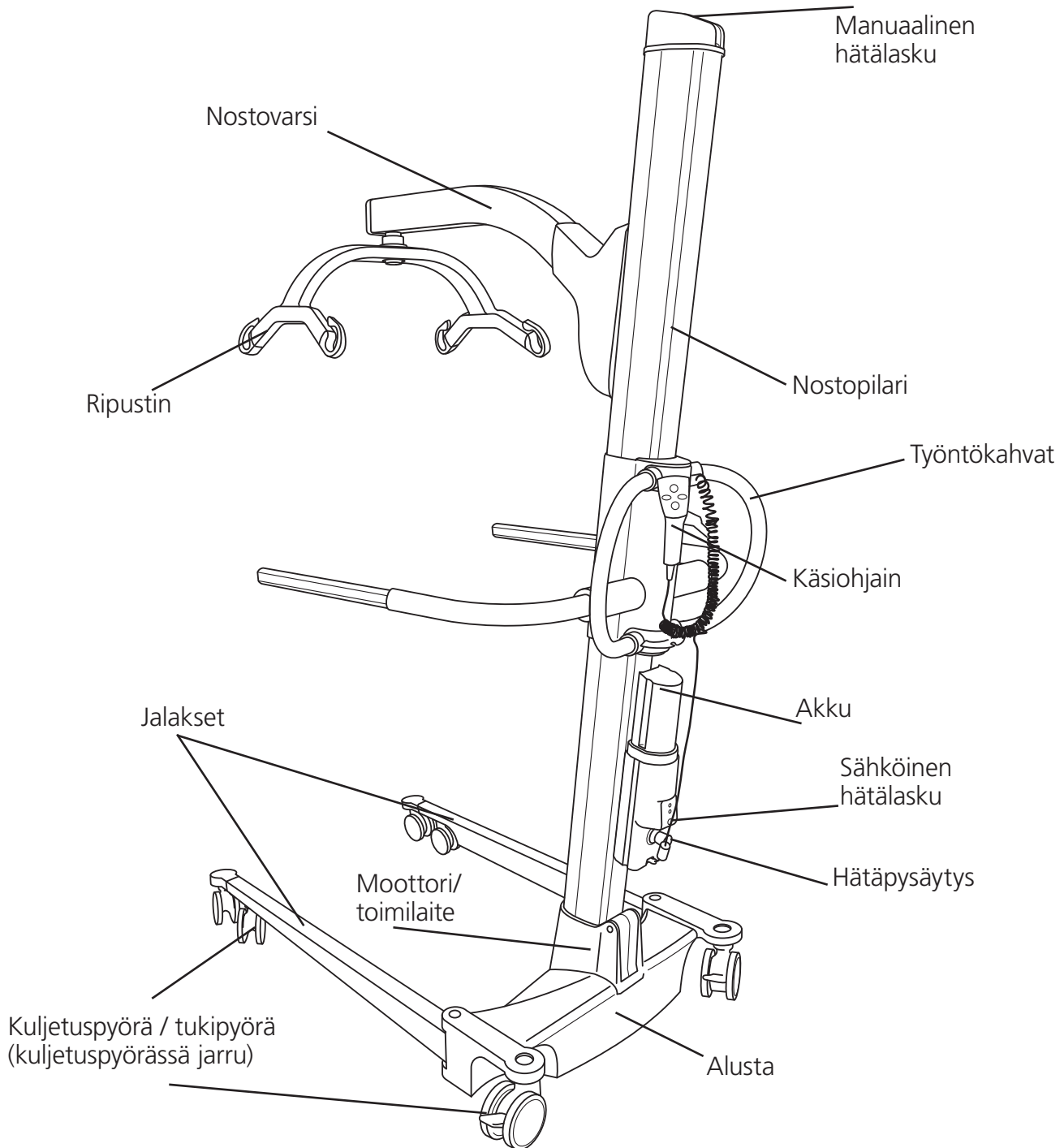
Lue käyttöohje ennen käyttöä!

On tärkeää ymmärtää käyttöohjeen sisältö kokonaisuudessaan, ennen kuin yrittää käyttää laitetta.

Lataa dokumentaatio osoitteesta www.etac.com, jotta käytössäsi on varmasti uusin versio.

Molift Partner 255

Potilasnosturin osat:



Tietoja: Molift Partner 255

Molift Partner 255 on erinomainen ratkaisu sekä sairaaloiden että hoitolaitosten akuutti- ja tehohoidon tilojen monimutkaisiin nostotilanteisiin. Laaja nostoalue (37–179 cm / 14,5–70,4 tuumaa) takaa, että Molift Partner 255 nostaa helposti sekä lattialta että korkeilta pinnoilta. Pystysuoran pilarin ja kiinteään ripustuksen yhdistelmä takaa erinomaisen vakauden sekä pitää käyttäjän hyvällä etäisyydellä

pilarista. Molift Partner 255, jonka kokonaispaino on 42,5 kg (94 lbs), on yksi luokkansa kevyimmistä potilasnostureista. Erinomaisen rakenteellisen muotonsa ja pyöräratkaisunsa ansiosta nosturin käsittely on erittäin helppoa turvallisella 255 kg:n (562 lbs) työkuormituksella. Varustettu ympäristöystävällisellä NiMH-akulla.

Yleistä



CE-ilmoitus

Tuote ja sen tässä käyttöohjeessa kuvatut lisävarusteet ovat 5.4.2017 annetun asetuksen (EU) 2017/745 mukaisia riskiluokkaan I kuuluvia lääkinällisiä laitteita.

Tuote on testattu ja hyväksytty kolmannen osapuolen toimesta standardien IEC 60601-1, IEC 60601-1-2 ja EN/ISO 10535:2006 mukaisesti.

Kaikista laitteeseen liittyvistä vakavista tapauksista on ilmoitettava valmistajalle ja sen jäsenvaltion toimivaltaiselle viranomaiselle, jossa käyttäjä ja/tai potilas sijaitsee.

Käyttöehdot

Potilaan nostamiseen ja siirtämiseen liittyy aina tietty riski, ja ainoastaan koulutettu henkilökunta saa käyttää tässä käyttöohjeessa kuvattuja laitteita ja lisävarusteita.

Muutokset ja eri valmistajien osien käyttäminen.

Suosittellemme ainoastaan Molift-komponenttien ja -varaosien käyttämistä.

Vaatumustenmukaisuusvakuutus ei ole voimassa eikä Etac vastaa takuusta, jos tuotteeseen tehdään muutoksia. Etac ei vastaa vioista ja tapaturmista, joita voi sattua käytettäessä muiden valmistajien komponentteja.



Vain pätevä henkilökunta saa avata potilasnosturin tai sen lisävarusteita huoltoa tai korjausta varten. Pyörivistä osista tai sähköiskusta voi aiheutua loukkaantumiseriski.

Potilasnosturia ei ole tarkoitettu nostettavan henkilön ohjattavaksi.

Takuuilmoitus

Kahden vuoden takuu, joka korvaa työstä ja materiaaleista johtuvat viat tuotteissamme.

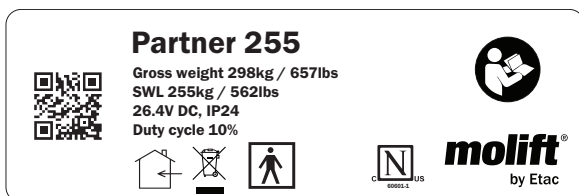
Yhden vuoden takuu akuille.

Katso ehdot osoitteesta www.etac.com.

Tuotteen merkintä

Tuotteen tarra

Tuotteen tarrojen viivakoodit sisältävät tuotenumeron, sarjanumeron ja valmistuspäivän.



BF-tyypin liityntäosa



CE-merkintä



Katso käyttöohje



Vain sisäkäyttöön



Älä hävitä normaalin kotitalousjätteen mukana.



Hätälasku



Huollon merkivalo



Akun merkivalo



Sertifiointielimen merkintä



Valmistaja



Valmistuspäivä



Luettelonumero



Sarjanumero



Lääkinällinen laite

Varoitustarrat ja symbolit

Tuotteessa käytettävät symbolit tarkemmin selitettynä:

Tekniset tiedot

Suurin turvallinen kuorma (SWL):

255 kg (562 lbs)

Laitteen paino:

Ilman akkua ja ripustinta:

38.3 kg/84,4 lbs

Runko: 20 kg/44 lbs

Nostopilari: 15 kg/33 lbs

Akku: 1,6 kg/3,5 lbs

4-pisteripustus: 3,5 kg/7.7 lbs

Akku:

Tuotenro: 1341000

26.4 V NiMH 2.6 Ah

Akkulaturi:

100-240 V AC, 50-60 Hz

0,9 A lähtö

Nostonopeus:

42.9 mm/sekunti (1,69 tuumaa/sekunti)

75 kg:n (165 lbs) kuormituksella

Suojausluokka:

Käsiohjain IP24

Nostomoottori IP24

Suurin A-painotettu äänitehotaso:

$L_{WA} = 49,4 \text{ dB}$

Käyttövoimapainike:

Käsiohjaimen painikkeet: 3,4 N

Materiaali:

Alumiini, muovi, teräs

Moottori:

Nostomoottori/toimilaite: 24 V DC

Jalasten levitysmoottori: 12 V DC

Kääntösäde:

1 400 mm (55.1 tuumaa)

Nostojen määrä täyteen ladatulla akulla:

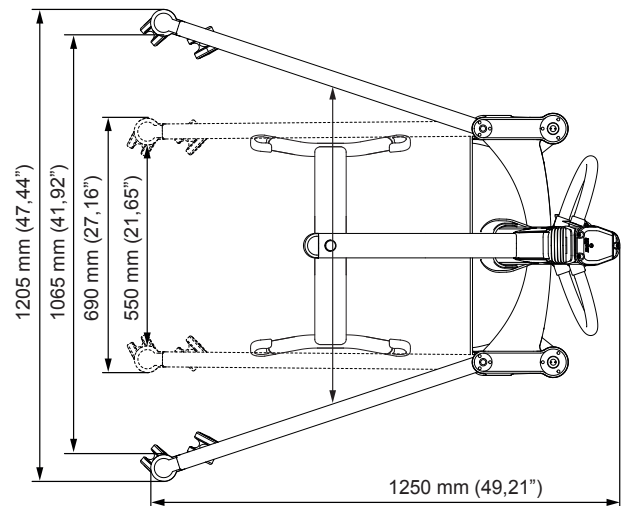
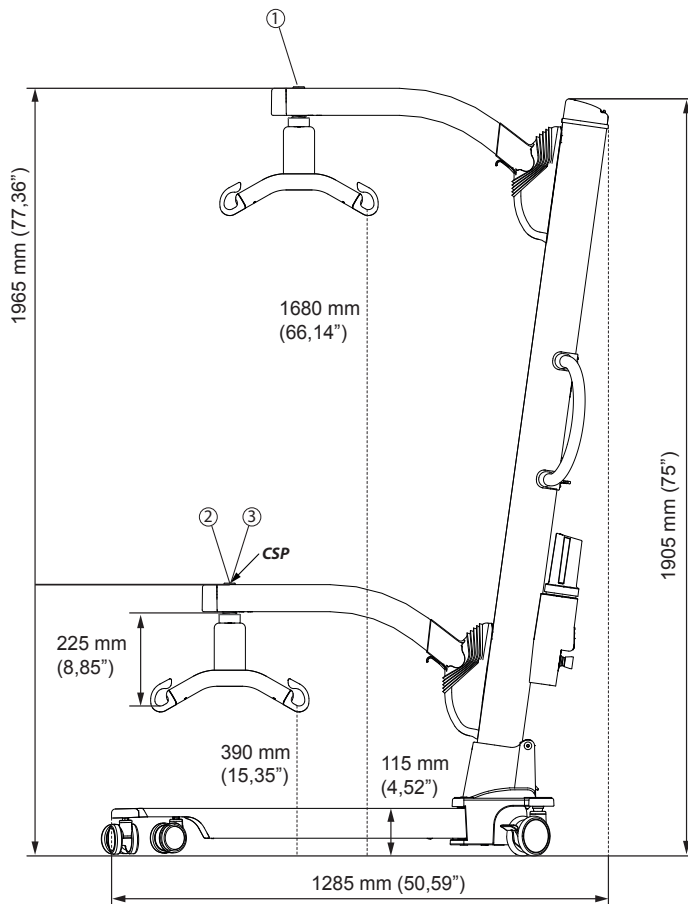
50 nostoa (75 kg / 165 lbs,

50 cm / 20 tuumaa)

Arvioitu käyttöikä:

Potilasnosturin arvioitu käyttöikä on

30 000 käyttökertaa (turvallinen työkuormitus) tai 10 vuotta.



① Highest position: 1965 mm (77,36")

② Max reach: 615 mm (24,2")

③ Lowest position: 615 mm (24,2")

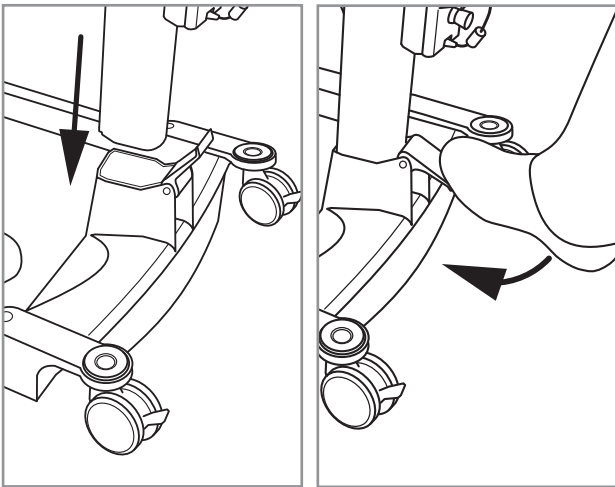
Kokoaminen

Lataa akku. Akku ei saa olla akkutelineessä kokoamisen aikana.

Nostopilari

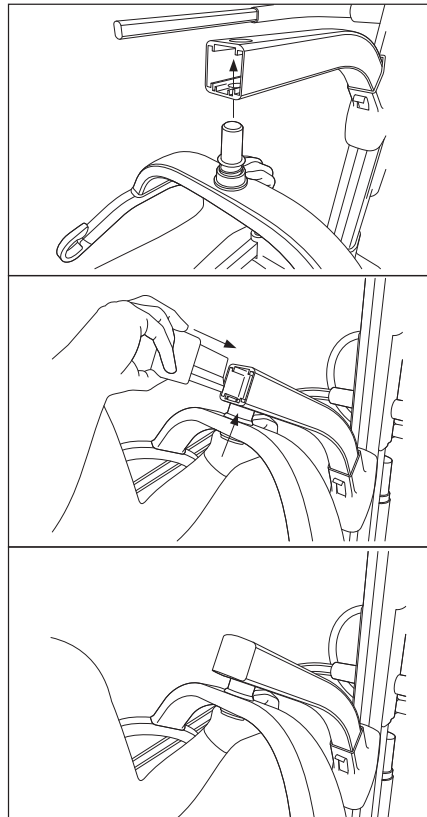
Aseta nostopilari alustaan. Varmista, että pilarin alaosassa oleva punainen nuoli vastaa alustan reunaa.

Varmista, että pilarin ruuvi on alustan reiässä. Näin pilari ei pääse tahattomasti nousemaan pois alustasta, kun lukituskahva työnnetään alas.



Kiinnitä pilari työntämällä lukituskahva kokonaan alas.

Ripustuksen asentaminen



1. Paina ripustuksen pulttia ylöspäin ja nostovarren läpi.
2. Varmista, että pultti on oikealla kohdallaan ennen kuin painat muovisuojuksen takaisin varteen.
3. Varmista, että ripustus on kiinnitetty oikein.

Kokoamisen jälkeinen tarkistuslista

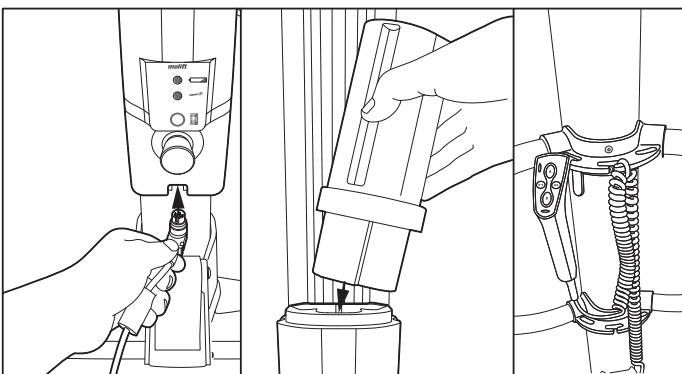


Älä aloita potilasnosturin käyttöä ennen kokoamisen jälkeen käytettävän tarkistuslistan mukaista tarkastusta.

Varmista tämän tarkistuslistan avulla ennen käyttöä, että nostin on asennettu oikein ja toimii asianmukaisesti ja turvallisesti.

- Varmista että nostovarsi, nostopilari ja ripustus ovat kiinnitetty oikein ja ettei potilasnosturissa ole irtonaisia osia.
- Varmista, että akku on ladattu (akun valot eivät pala).
- Tarkista että potilasnosturissa ei ole näkyviä vaurioita tai muita vikoja.
- Tee yksi nosto kuormituksella (60 - 80 kg).

Akku ja käsiohjain



1. Liitä käsiohjain akkutelineen pohjaan.
2. Aseta akku siten, että sen navat ovat alaspäin.
3. Liitä käsiohjaimen johto työntökahvan kannattimeen, jotta se ei pudotessaan irtoa lattialle.

Molift Partner 255 -potilasnosturin käyttäminen

Yleiset turvallisuusvaroitukset

Käytä ainoastaan sellaisia lisävarusteita ja nostoliinoja, jotka saa säädettyä sopiviksi käyttäjälle, liikuntaestetyypille, koolle, painolle ja siirtotyypille.

Taukosuhde/käyttöjako

Molift Partner 255 -potilasnosturia ei saa käyttää jatkuvasti enempää kuin 2 minuutin ajan (maksimikuormituksella), ja sen on annettava levätä vähintään 18 minuutin ajan. Käyttöjako 10 %. (Vuorottelu standardin ISO-EN 10535 mukaan)

Turvallinen työkuormitus

Turvallinen työkuormitus (SWL) on merkitty potilasnosturiin



Jos potilasnosturin ripustuksen ja rungon tukiyksikön maksimikuormitukset (SWL) poikkeavat toisistaan, tulee aina käyttää pienintä maksimikuormitusta.



Molift-nostimia tulee käyttää ainoastaan ihmisten nostamiseen. Älä koskaan käytä nostinta minkäänlaisten esineiden nostamiseen tai siirtämiseen.

Ennen käyttöä

Päivittäin tai ennen käyttöä suoritettava tarkastus:

- Varmista, että potilasnosturissa ei ole näkyviä vaurioita, vikoja tai vääntymiä.
- Varmista, että ripustuksen kiinnitys ja kaikki irrotettavat osat on kiinnitetty ja varmistettu asianmukaisesti
- Varmista, ettei akun merkkivalo pala ja huollon merkkivalo on vihreä
- Varmista, ettei nostohihnassa ole näkyviä vaurioita tai rispaantumia.
- Varmista, että pyörät liikkuvat vapaasti ja potilasnosturia on helppo käsitellä.

Kuukausittain suoritettava tarkastus:

- Koekäytä potilasnosturin käyttötoiminnot ja varmista, ettei siitä kuulu epätavallisia ääniä.
- Testaa hätäpysäytyspainike ja hätälasku

Jos potilasnosturissa on vikoja tai puutteita, se on poistettava käytöstä ja merkittävä "Poistettu käytöstä" -merkinnällä.

Käsiohjain

Käsiohjaimessa on 4 painiketta nostovarren nostamista ja laskemista ja jalasten levitysmekanismin sulkemista ja avaamista varten.

Käsiohjaimessa on merkkivalo, joka syttyy, kun akun varaus on vähissä ja potilasnosturi on latauksen tarpeessa

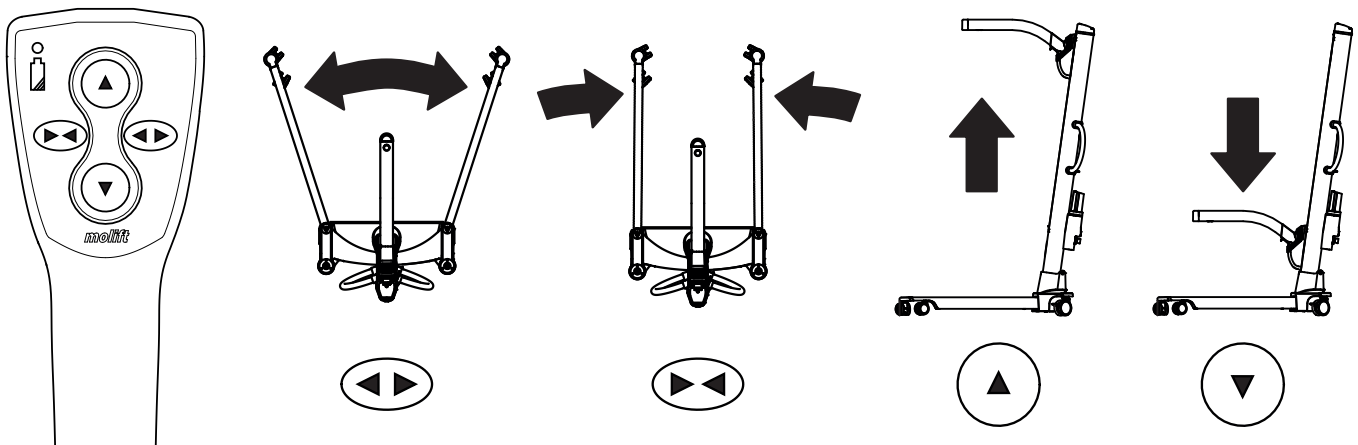
Käsiohjaimen 4 painiketta
Tuotenro 2018004

Nostovarsi - ylös/alas

Huom! Potilasnosturi on epävakaain yläasennossa.

Jalokset - sisään/ulos

Huom! Levitetty jalokset tuovat lisää vakautta ja paremman pääsyn tuoliin tai wc-istuimelle. better access to chair or toilet.



Turvalaitteet

Molift Mover 180 on varustettu usealla turvalaitteella, jotka on tarkoitettu estämään käyttäjien loukkaantumisen ja laitevauriot väärän käytön yhteydessä.

Potilasnosturissa on potilasnosturin käytön estävä ylikuormitusanturi, jos potilasnosturin kuorma ylittää turvallisen työkuormituksen (SWL).

Nostovarressa on sarana, joka estää käyttäjän joutumista puristuksiin varren ja ripustuksen kanssa. Toimilaitteessa ei ole lainkaan voimaa sen liikkua alaspäin.

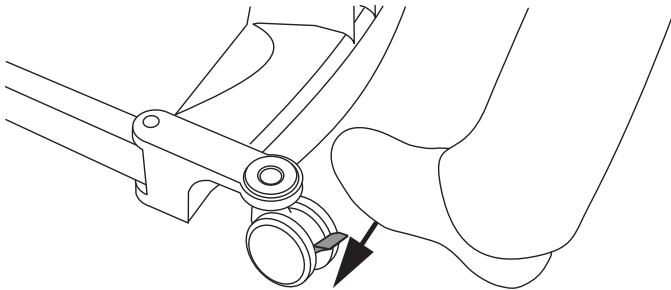
Ylikuumentuessaan elektroniikka on pois käytöstä. Odota, että potilasnosturi jäähtyy, ennen kuin käytät sitä uudelleen.

Työntökahvat

Siirrä potilasnosturia työntökahvoista.

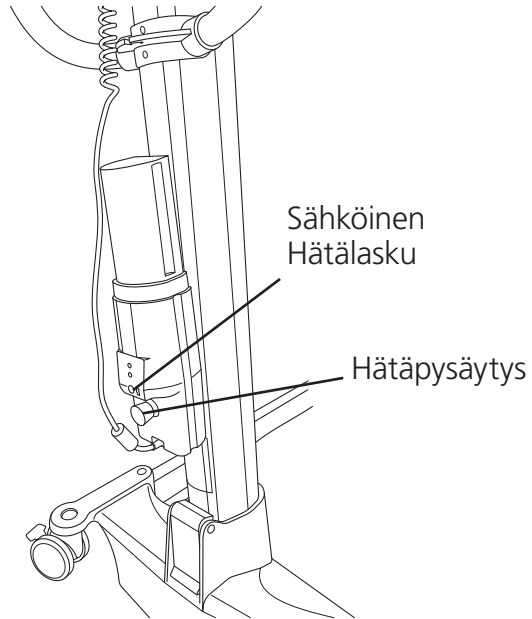
Potilasnosturia saa käyttää vain siirtämiseen lyhyitä matkoja. Se ei korvaa pyörätuolia tai vastaavaa.

Jarrut



Kuljetuspyörät/tukipyörät on varustettu jarruilla. Lukitse jarrut astumalla vivun päälle. Avaa lukitus kääntämällä vipu ylös.

Hätäpysäytys / hätälasku



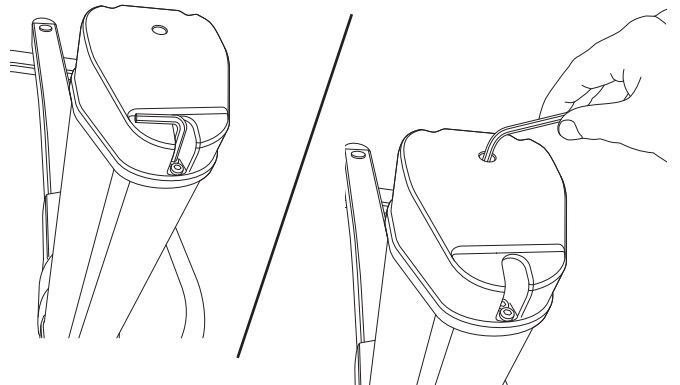
Hätäpysäytys

Hätäpysäytys katkaisee virran alas painettaessa. Palauta kääntämällä myötäpäivään (käyttäminen OK, kun vihreä rengas on näkyvässä).

Sähköinen hätälasku

Laske nostovarsi pitämällä sähköisen hätälaskun painiketta painettuna. Sähköinen hätälasku ei toimi, jos hätäpysäytys on aktivoituna.

Manuaalinen hätälasku



Pilarin yläpäässä on kuusiokoloavain manuaalista laskemista varten. Työnnä kuusiokoloavain pilarin yläosan reikään ja käännä, kunnes potilas on laskettu alas.

Muista irrottaa kuusiokoloavain reiästä heti laskemisen jälkeen.

Ota yhteyttä Moliftin huoltokumppaniin, jos hätälaskuun johtavan vian syy on tuntematon tai jos se johtuu viallisista komponenteista tai osista.

Elektroniikka

Kuljetus- ja käyttöolosuhteet

Kuljetus ja säilytys

Pitkäaikaista säilytystä varten on suositeltavaa aktivoida (painaa sisään) hätäpysäytyspainike. Potilasnosturia voi säilyttää ja kuljettaa -25 - 70 °C:n lämpötiloissa.

Käyttö

Potilasnosturi on suunniteltu käyttöön normaalissa huoneenlämmössä (+5 - +40 °C).

Ilmanpaine: 70 - 106 kPa

Suhteellinen kosteus: 15 - 93 %

Jos laitetta on säilytetty tai kuljetettu ohjeesta poikkeavissa lämpötiloissa, jätä se tilaan, jossa lämpötila on sopiva, kunnes se saavuttaa turvallisen käyttölämpötilan.



Lääketeieteelliset sähkölaitteet edellyttävät erityisiä sähkömagneettiseen yhteensopivuuteen (EMC) liittyviä varotoimia. Kannettavat tai siirrettävät radioviestintälaitteet voivat vaikuttaa lääketieteellisiin sähkölaitteisiin, ja niitä tulee pitää vähintään 25 cm:n päässä potilasnosturin elektroniikasta.

Akku

Molift Partner 255 -nostimessa on 26,4 V:n, 2,6 Ah:n NiMH-akku. Akun arvioitu käyttöikä on noin 500 latauskertaa.



Lataa akku sen saapuessa ja sen jälkeen kuuden kuukauden välein akun vaurioitumisen estämiseksi.



Käytetyt akut on hävitettävä ongelmajätteenä paikallisten sääntöjen ja asetusten mukaisesti. Älä hävitä normaalin kotitalousjätteen mukana.



Akut on ladattava pari kertaa täyteen ja tyhjennettävä kokonaan, ennen kuin ne saavuttavat täyden kapasiteettinsa. Noudata tätä menetelmää myös, jos potilasnosturi on ollut pitkään käyttämättä (vähintään 4 viikkoa).

Akun ja huollon merkkivalot (LED)

Potilasnosturin akkutelineessä on kaksi merkkivaloa.

	Huollon merkkivalo
	Akun merkkivalo

Sähköjärjestelmässä on virransäästötoiminto, joka kytkee sähköjärjestelmän pois päältä kymmenen minuutin käyttämättömyyden jälkeen. Kaikki valot sammuvat.

Järjestelmä aktivoituu, kun painetaan jotakin käyttöpainikkeista.

Akun merkkivalo (LED)

Akun merkkivalo (LED) syttyy ja siitä kuuluu merkkiääni, kun akun varaus on vähissä ja potilasnosturi on ladattava. Tällöin potilasnosturissa on riittävästi virtaa yhteen kokonaiseen nostojaksoon maksimikuormituksella. Kun akun virta on kriittisen vähissä, laitteella voi ainoastaan laskea nostovarren alas.

Huollon merkkivalo

Potilasnosturin elektroniikka tallentaa muistiin nostetut kuormat ja nostokerrat. Tietyn käyttöajan jälkeen annetaan signaali, joka ilmaisee potilasnosturin huoltotarpeen.

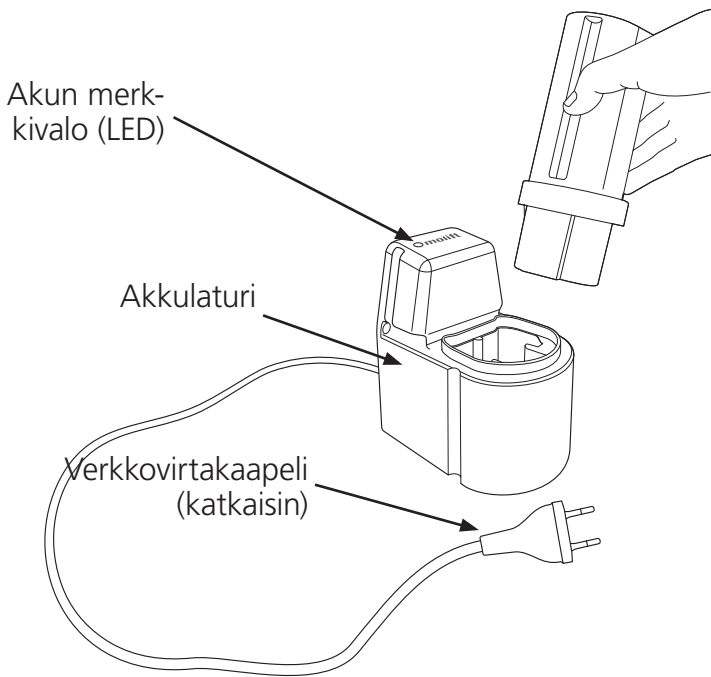
Huollon merkkivalo	Tila
Ei valoa	Virransäästö (valmiustila)
Vihreä	Käyttövalmis
Keltainen	Tilaa huolto
Punainen	Suorita huolto
Punainen + äänimerkki	Suorita huolto välittömästi

Huollon laajuus

Huoltoon sisältyy potilasnosturin nostomoottorin vaihtaminen ja kuluneiden osien tarkastus/vaihto. Tämä on annettava valtuutetun henkilökunnan tehtäväksi.

Huolto on tarpeen, kun huoltovalo on punainen (laskettu 10 000 nostoa painoluokassa 4 (SWL)).

Lataus



Akkulaturi

Akkulaturia voi käyttää pöytäaturina, tai se kiinnitetään pystysuoralle seinäpinnalle pistorasian läheisyyteen, vähintään 120 cm:n korkeudelle lattiasta. Laturia on käytettävä potilasympäristön ulkopuolella. Laturi on sijoitettava tai asennettava siten, että verkkovirtakaapelin pistoke on helppo irrottaa. Varo vaurioittamasta kaapelia. Laturi voi olla kytkettynä virtalähteeseen koko ajan.

Akkulaturi 12-24V

Tuotenro 1340100

Battery PowerPac 26,4 V NiMH

Tuotenro 1341000

Laturin merkkivalo

Akun merkkivalon (LED) kuvaus:

LED	Tila
Keltainen	Käyttövalmis, ei akkua kytkettynä
Keltainen	Alustus
Punainen	Pikalataus
Vihreä/keltainen	Lisälataus
Vihreä	Kestolataus
Punainen/vihreä	Virhe

Siirtäminen

Suunnittele nostotapahtuma etukäteen, jotta se sujuu mahdollisimman turvallisesti ja tasaisesti. Muista toimia ergonomisesti. Arvioi riskit ja tee muistiinpanoja. Avustaja vastaa käyttäjän turvallisuudesta.

Molift Partner 255 -potilasnosturia voi käyttää 4-pisteripustuksella erilaisissa siirroissa: istuen, maaten tai kävellen.

Nostoliinon käyttö

Nostoliina on testattava kunkin käyttäjän kanssa ja aiotussa nostotilanteessa.



Lue nostoliinan käyttöohje ennen käyttöä.



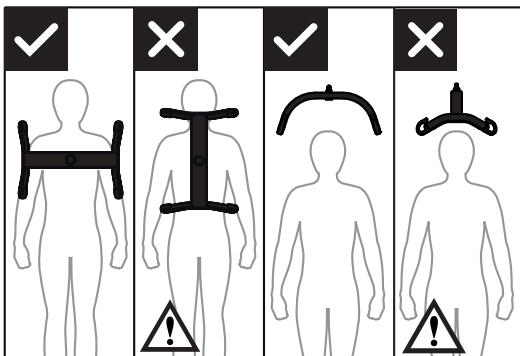
Älä käytä vaurioituneita tai pahasti kuluneita nostoliinoja.

Muiden valmistajien nostoliinat

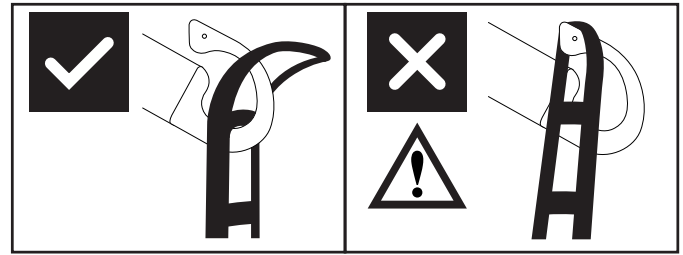
Suosittelamme ainoastaan Molift-nostoliinon käyttöä. Etac ei vastaa vioista ja tapaturmista, joita voi sattua käytettäessä muiden valmistajien nostoliinoja.

Nostaminen ja laskeminen

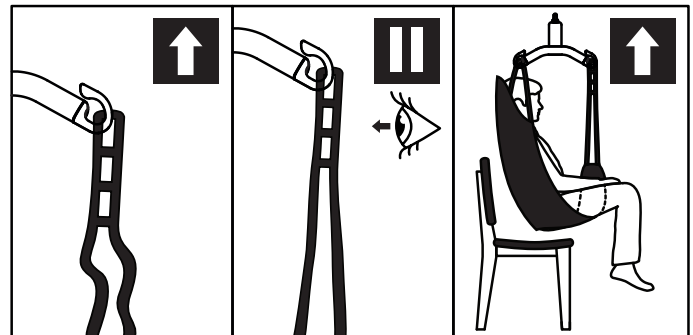
Kun siirrät käyttäjää, seiso nostamasi henkilön vieressä. Varmista, että kädet ja jalat eivät osu istuimeen, vuoteeseen tai muihin esteisiin. Paranna käyttäjän turvallisuuden tunnetta säilyttämällä katsekontakti.



4-pisteripustus on aina asetettava käyttäjän ylitse, jotta käyttäjä ei liu'u vahingossa pois nostoliinasta.



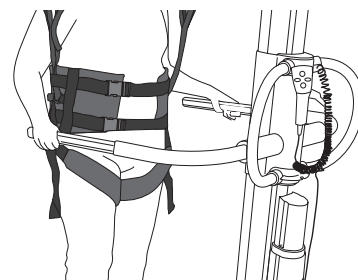
Ripustuskoukku estää nostoliinan irtoamisen vahingossa, kun se on oikein asennettu.



1. Tarkista, että nostoliina on sovitettu oikein käyttäjän ympärille ja että hihnalenkit on kiinnitetty ripustuskoukkuihin oikein.
2. Venytä nostoliinan hihnoja käyttäjää nostamatta. Varmista, että nostoliinan kaikki neljä silmukkaa on kiinnitetty tukevasti, jotta käyttäjä ei pääse luisumaan tai putoamaan.
3. Nosta käyttäjä ja suorita siirto.

Tukivarret (optio)

Tukivarsilla varustettua nosturia voidaan käyttää apuna kävelyharjoituksissa



Nosturi voidaan toimittaa tukivarsilla tai lisävarusteena voidaan toimittaa tukivarsilla varustettu kokonainen nostopilari, joka korvaa alkuperäisen nostopilarin.

Column with supporting arms
Art. no. 1511002

Siirtäminen



Yritä asetella käyttäjä mahdollisimman alas (miehellään jalat alustalla), kun siirät potilasnosturia, kun sillä nostetaan käyttäjää. Tällä tavoin painopiste on alhaalla ja epävakauden riski vähenee.



Älä milloinkaan nosta käyttäjää korkeammalle kuin nosto edellyttää. Muista, että siirrettävän potilasnosturin pyörät EIVÄT saa olla lukittuina.



Älä milloinkaan jätä käyttäjää valvomatta nostotilanteessa.

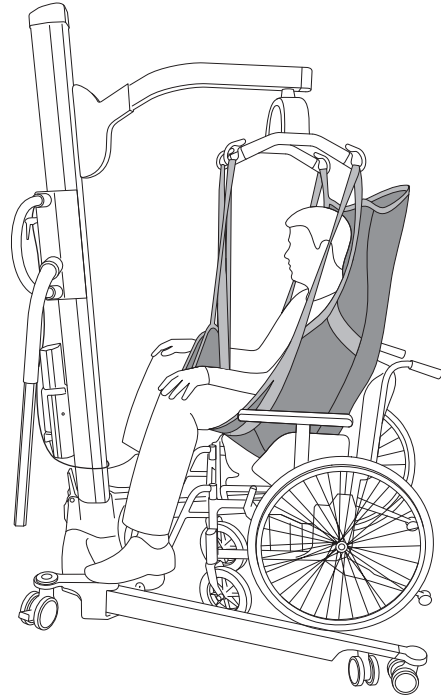
Ole varovainen siirron aikana, sillä nostettu käyttäjä voi heilua käännosten, pysäytysten ja liikkeelle lähtöjen aikana. Ole varovainen toimiessasi lähellä huonekaluja, ettei nostettu käyttäjä törmää mihinkään.



Potilasnosturia ei saa käyttää käyttäjien nostamiseen tai siirtämiseen kaltevilla pinnoilla.

Vältä paksuja karvalankamattoja, korkeita kynnyksiä, epätasaisia pintoja ja muita esteitä, jotka voivat aiheuttaa pyörien jumiutumisen. Nosturi voi muuttua epävakaaksi, jos se viedään väkisin tällaisten esteiden yli, mikä lisää kaatumisriskiä.

Laskeminen istuvaan asentoon

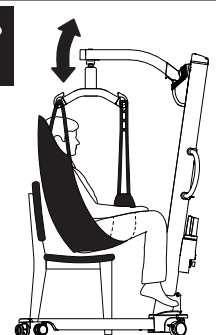
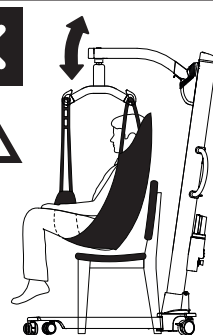


Kun käyttäjä siirretään istuvaan asentoon, voit käyttää seuraavia tekniikoita käyttäjän laskemiseen mahdollisimman taakse istuimeen:

- A Aseta käyttäjä paikalleen ohjaukskahvan avulla.
- B Paina käyttäjän polvia varovasti.
- C Kallista istuinta taaksepäin.



Käyttäjän on oltava kasvat nostajan päin nostettaessa käyttäjää tuolista tai laskettaessa tuolille.



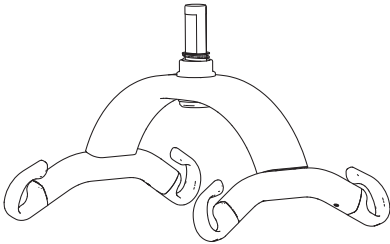
Lisävarusteet

Suosittelavat lisälaitteet ja -varusteet Molift Partner 255.

Ripustukset

Molift Partner 255 soveltuu käytettäväksi 4- tai 8-pisteripustuksella.

Alumiiniripustus



4-piste Medium, alumiini, 450 mm,
Tuotenro: 1330060

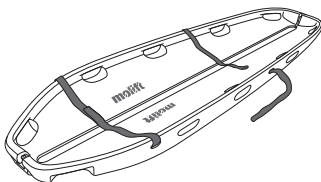
4-piste Large, alumiini, 550 mm,
Tuotenro: 1330061

4-piste XL, alumiini, 650 mm,
Tuotenro: 1330062

8-piste Large, alumiini, 1430 mm,
Tuotenro: 2140002

Paarit

Molift-paareja voidaan käyttää yhdessä kaikkien Molift-potilasnostureiden 4-pisteripustusten kanssa.



Scoop-paarit MRI-yhteensopiva (SWL 300 kg)
Tuotenro: 2150108

Vaaka

Molift-vaa'alla on luokan III hyväksyntä. Vaa'alla voi myös laskea BMI-painoindeksin.

Molift-vaakasarja (ilman ripustusta)
Tuotenro: 1331002

Nostoliinat

Etac'in valikoimaan kuuluu runsaasti erilaisia nostoliinoja erityyppisiä siirtoja varten. Molift RgoSling -nostoliinasarja on kehitetty yhdistettäväksi 4-pisteripustukseen (toimii myös 2-pisteripustuksen kanssa). Etac EvoSling -nostoliinasarja on kehitetty yhdistettäväksi 2-pisteripustuksen kanssa. Katso oikeat nostoliinoiden ja ripustusten yhdistelmät nostoliinoiden käyttöohjeen yhdistelmäluettelosta. Nostoliinasarjassa on saatavana koot XXS - XXL, materiaaleina polyesteri ja polyesteriverkkokangas.

RgoSlings:

RgoSling Mediumback Padded (XS-XXL)
RgoSling Highback Padded (XS-XXL)
RgoSling Mediumback Net (XXS-XXL)
RgoSling Highback Net (XXS-XXL)
RgoSling Toilet Lowback (XXS-XXL)
RgoSling Toilet Highback (XXS-XXL)
RgoSling Ampu Mediumback (XXS-XXL)
RgoSling Ampu Highback (XXS-XXL)
RgoSling Ambulating Vest (XXS-XL)
RgoSling Comfort Highback (S-L)

Lisävarusteet:

RgoSling Extension Loops
RgoSling Ambulating Vest Groin strap (XXS-XL)

Kunnossapito

Puhdistus ja desinfiointi

Puhdista säännöllisesti. Puhdista pinnat kostealla liinalla käyttäen asianmukaista, pH-arvoltaan neutraalia puhdistusainetta. Älä käytä liuottimia tai vahvoja nesteitä, sillä tämä voisi vahingoittaa potilasnosturin pintoja. Käytä tarvittaessa desinfiointiin isopropyylialkoholia. Vältä hankaavia puhdistustuotteita. Poista hiukset ja lika pyöristä ja varmista, että pyörät rullaavat vapaasti. Poista kytkimestä ja käsiohjaimesta rasva ja lika puhdistamalla ne isopropyylialkoholilla. Tarkasta hätäpysäytys ja hätälasku puhdistuksen jälkeen. Potilasnosturia ei saa altistaa juoksevalle vedelle.



Varmista, ettet vaurioita tai irrota tarroja puhdistuksen yhteydessä.

Kunnostus

Noudata puhdistus- ja kokoamisohjeita, tee määräaikaistarkastus ja käytä kokoamisen jälkeen sovellettavaa tarkistuslistaa nostimen käyttöönottoon.

Kierrätys

Katso ohjeet tuotteen asianmukaiseen hävittämiseen "Kierrätysohjeista". Tiedot löytyvät osoitteesta www.etac.com.

Varaosat

Varaosaluettelo on saatavana pyynnöstä.

Määräaikaistarkastus

Määräaikaistarkastuksen laajuus

Määräaikaistarkastus on Molift Partner 255 -potilasnosturin määräaikaistarkastusraportin mukainen silmämääräinen tarkastus (jossa keskitytään erityisesti potilasnosturin kantavaan rakenteeseen ja nostomekanismiin sekä kiinnikkeisiin, jarruihin, säätimiin, turvalaitteisiin ja henkilökohtaisiin tukivälineisiin). Tiedot löytyvät osoitteesta www.etac.com.

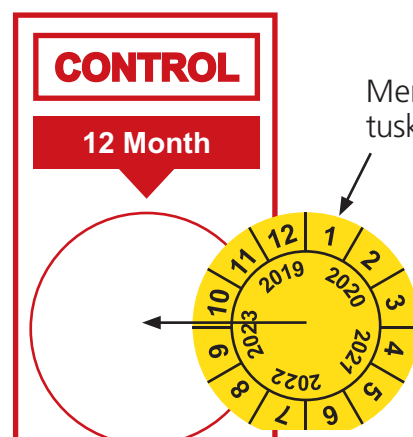


Mikäli todetaan turvallisuusriski, potilasnosturi tulee poistaa viipymättä käytöstä ja siihen tulee kiinnittää selkeä merkintä "epäkunnossa", eikä sitä saa käyttää, ennen kuin se on korjattu.

Määräaikaistarkastus tulee suorittaa kerran vuodessa tai useammin, jos paikalliset vaatimukset sitä edellyttävät. Tarkastus on annettava Etacin valtuuttaman huoltohenkilöstön tehtäväksi. Ota yhteys Etaciin (molift@etac.com) hyväksytyn huoltokumppanin koulutusta ja valtuutusta tai suositusta varten.

Määräaikaistarkastusta suorittaessaan tarkastajan tulee täyttää Molift Partner 255 -potilasnosturin

tarkastusraportti. Raporttien ylläpito tulee antaa nostimen huollosta vastaavien henkilöiden tehtäväksi. Jos tarkastuksessa havaitaan vikoja ja vaurioita, omistajalle tulee ilmoittaa asiasta. Määräaikaistarkastuksen jälkeen tarkastajan tulee merkitä potilasnosturi valvontakylttiin kiinnitettävällä tarralla, johon merkitään määräaikaistarkastuksen suorittamispäivä sekä tarra (jossa Etacin tai jakelijan 6-numeroinen tunnus), josta selviää määräaikaistarkastuksen suorittaja. Valvontakyltti on akkutelineen oikealla puolella, ja siitä käy ilmi, milloin seuraava tarkastus on ajankohtainen.



Merkitse tarraan tarkastuskuukausi ja -vuosi

Vianetsintä

Oire	Mahdollinen syy / toimenpide
Nostopilari huojuu	Nostopilaria ei ole sijoitettu oikein alustaan tai lukituskahvaa ei ole lukittu kokonaan. Kokoa pilari ja alusta kunnolla.
Potilasnosturi liikkuu epätasaisesti tasaisella pinnalla	Pyörät liikkuvat epätasaisesti nukan ja pölyn vuoksi. Puhdista pyörät. Poista hiukset ja lika.
Nostovarsi tai säädettävät jalakset eivät tottele ohjausta.	Oikosulku käsiohjaimen ja potilasnosturin välillä. Puhdista käsiohjaimen liitännän pinta alkoholilla rasvan poistamiseksi.
	Viallinen käsiohjain. Vaihda käsiohjain.
	Ohjauselektronikassa on vika. Ota yhteys paikalliseen edustajaan huoltoa varten.
Potilasnosturi ei reagoi käsiohjaimen toimintaan / Nostovarsi tai jalakset eivät liiku.	Hätäpysäytyspainike on aktivoitu. Nollaa hätäpysäytys kääntämällä painiketta myötäpäivään.
	Akku on tyhjä. Vaihda tai lataa akku.
	Potilasnosturin elektroniikka on ylikuumentunut. Odota, että se jäähtyy.
	Potilasnosturi on ylikuormitettu. Varmista, ettei kuorma ylitä turvallista työkuormitusta (SWL).
	Käsiohjainta ei ole kytketty oikein. Kytke käsiohjain oikein. Käsiohjain, pistoke tai johto on ehkä rikkoutunut ja on vaihdettava.
	Kontaktilla alustan ja pilarin välillä ei ole yhteyttä. Pilaria ei ole kiinnitetty oikein alustaan. Kokoa pilari ja alusta kunnolla.
	Ohjauselektronikassa on vikaa. Ota yhteys paikalliseen edustajaan huoltoa varten.
Akku ei lataudu	Viallinen akku. Tarkista laturin merkkivalot latauksen aikana. Kokeile toista akkua.
	Viallinen akkulaturi. Tarkista laturin merkkivalot latauksen aikana. Kokeile toista laturia.

Manuale in italiano

Importante

Il presente manuale dell'utente contiene importanti istruzioni e informazioni di sicurezza relative all'utilizzo del sistema di sollevamento e degli accessori.

Nel presente manuale, l'utente è la persona che viene sollevata.

L'assistente è la persona che aziona il sistema di sollevamento.



Attenzione!

Questo simbolo indica un'informazione importante relativa alla sicurezza. Seguire attentamente queste istruzioni.



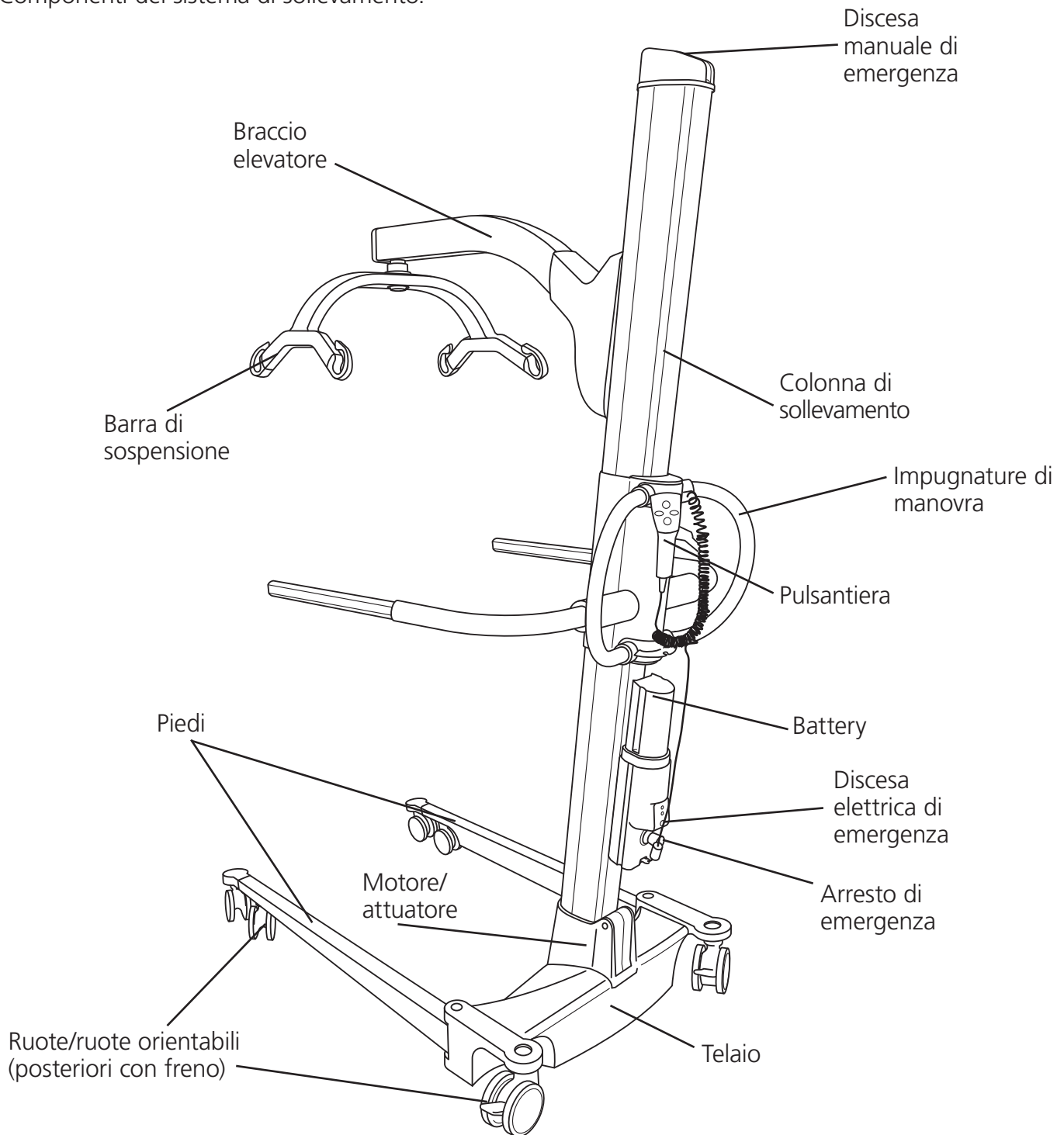
Leggere il manuale dell'utente prima dell'uso.

È importante comprendere pienamente il contenuto del manuale dell'utente prima di utilizzare l'attrezzatura.

Visitare www.etac.com per scaricare la versione più recente della documentazione

Molift Partner 255

Componenti del sistema di sollevamento:




Informazioni sul dispositivo Molift Partner 255

Molift Partner 255 fornisce una soluzione ideale per il sollevamento in situazioni di alta complessità, in centri di cura per pazienti gravi e critici, in ospedali e in strutture di assistenza. Grazie a un'eccellente ampiezza di sollevamento di 37–179 cm (14,5–70,4"), Molift Partner 255 permette un facile sollevamento da terra e da superfici alte. La colonna dritta verticale, unita alla sospensione fissa, offre un'eccellente stabilità e mantiene

l'utilizzatore a una buona distanza dalla colonna. Con un peso complessivo di 42,5 kg (94 libbre), Molift Partner 255 è uno dei dispositivi più leggeri della sua categoria. Grazie a un design di progettazione eccellente e alla presenza di ruote, è molto facile da manovrare con un carico di lavoro sicuro di 255 kg (562 libbre). Dotato di batteria NiMH ecocompatibile.

Informazioni generali

	<p>Dichiarazione di conformità CE</p> <p>Il prodotto e i relativi accessori descritti nelle presenti istruzioni per l'uso (IFU) sono conformi al regolamento (UE) 2017/745 del 5 aprile 2017 - come dispositivo medico, classe di rischio I. Il prodotto è stato testato e approvato da terzi secondo le norme IEC 60601-1, IEC 60601-1-2 e EN/ISO 10535:2006.</p> <p>Qualsiasi incidente grave che si verifichi in relazione al dispositivo deve essere segnalato al produttore e all'autorità competente dello Stato membro in cui risiede l'utente e/o il paziente.</p>
---	---

Condizioni di utilizzo

Il sollevamento e il trasferimento di un paziente presenta sempre determinati rischi, pertanto è consentito utilizzare l'attrezzatura e gli accessori descritti nel presente manuale dell'utente esclusivamente a personale in possesso dell'adeguata formazione.

Modifiche e utilizzo di componenti fabbricati da altri produttori.

Si consiglia di utilizzare solamente componenti e pezzi di ricambio Molift. Se vengono apportate modifiche al prodotto, la dichiarazione di conformità e la garanzia Etac perdono di validità. Etac non è responsabile di eventuali danni o incidenti che possano verificarsi quando si utilizzano componenti di altri produttori.



L'apertura del sistema di sollevamento e degli accessori per le operazioni di assistenza e riparazione è consentita esclusivamente a personale certificato. Rischio di lesioni dovute a componenti rotanti e rischio di scosse elettriche.

Il sistema di sollevamento non è ideato per essere impiegato dalla persona che viene sollevata.

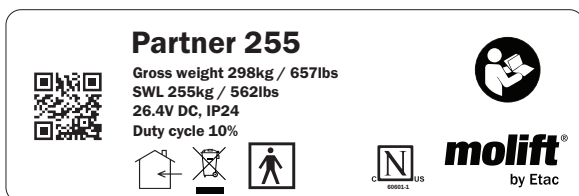
Garanzia

Garanzia di 2 anni per difetti di fabbricazione e dei materiali dei nostri prodotti.
Garanzia di un anno per le batterie.
Consultare www.etac.com per i termini e le condizioni.

Identificazione del prodotto

Etichetta del prodotto

L'etichetta del prodotto presenta un codice a barre con numero di articolo, numero di serie e data di fabbricazione.



Etichette di avvertenza e simboli

Simboli usati sul prodotto, descritti in maggiore dettaglio:



Parte applicata del tipo BF



Spia batteria



Marchio CE



Marchio dell'organismo di certificazione



Fare riferimento al manuale dell'utente



Produttore



Solo per uso in interni



Data di produzione



Non smaltire nei normali rifiuti



Numero di catalogo



Discesa di emergenza



Numero di serie



Spia di servizio



Dispositivo medico

Dati tecnici

Carico di lavoro sicuro (SWL):

255 kg (562 libbre)

Peso dell'unità:

Escluso batteria e sospensione:

38.3 kg/84,4 libbre

Telaio: 20 kg/44 libbre

Colonna di sollevamento: 15 kg/33 libbre

Braccio elevatore: 3,3 kg/7,3 libbre

Batteria: 1,6 kg/3,5 libbre

Barra di sospensione media a 4 punti di

fissaggio: 3,5 kg/7,7 libbre

Batteria:

Codice articolo: 1341000

26.4 V NiMH 2.6 Ah

Caricatore:

100-240 V CA, 50-60 Hz

Uscita 0,9 A

Velocità di sollevamento:

42.9 mm/s (1,69 pollici/s)

con un carico di 75 kg (165 libbre)

Classe di protezione:

Pulsantiera IP24

Motore di elevazione IP24

Livello sonoro massimo pesatura A:

$L_{WA} = 49,4$ dB

Forza di esercizio dei pulsanti

Pulsanti sul telecomando: 3,4 N

Materiale:

Alluminio, plastica, acciaio

Motore:

Motore/attuatore di sollevamento: 24 V CC

Motore di apertura dei piedi: 12 V CC

Diametro di rotazione:

1.400 mm (55.1 pollici)

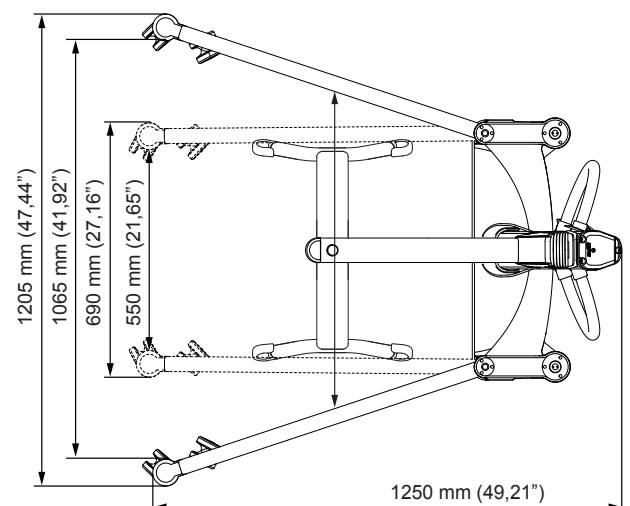
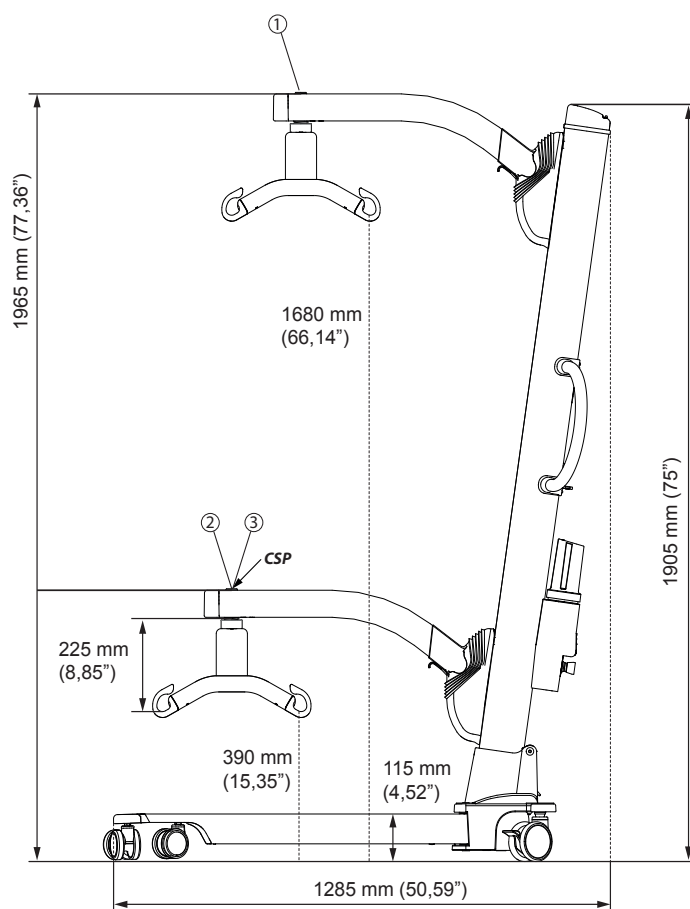
Numero di sollevamenti con batteria completamente carica:

50 sollevamenti (75 kg/165 libbre,

50 cm/20 pollici)

Durata prevista:

Il sistema di sollevamento ha una durata prevista di 30.000 cicli di sollevamento a carico massimo o di 10 anni.



① Highest position: 1965 mm (77,36")

② Max reach: 615 mm (24,2")

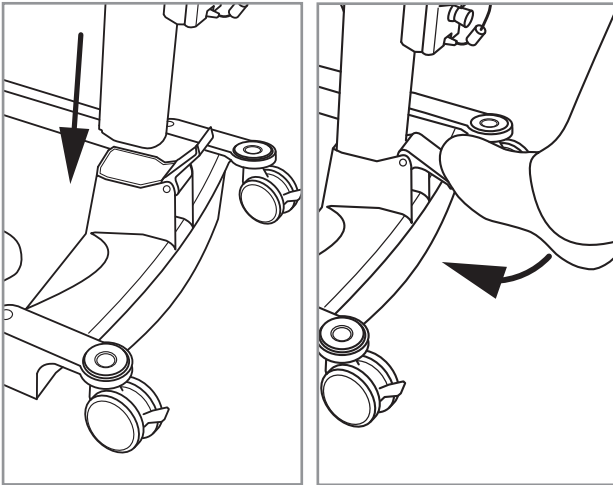
③ Lowest position: 615 mm (24,2")

Montaggio

Caricare la batteria. Togliere la batteria dal portabatterie durante il montaggio.

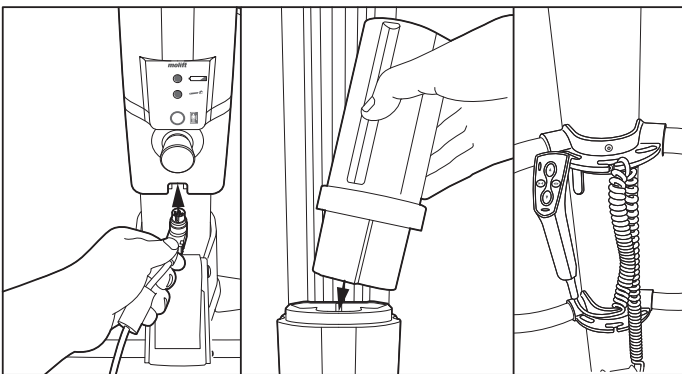
Colonna di sollevamento

Collocare la colonna di sollevamento nel telaio. Verificare che la freccia rossa sulla parte inferiore della colonna combaci con il bordo del telaio. Verificare che la vite presente sulla colonna sia inserita nel foro sul telaio. Ciò impedirà alla colonna di fuoriuscire accidentalmente dal telaio quando si preme l'impugnatura di blocco verso il basso.



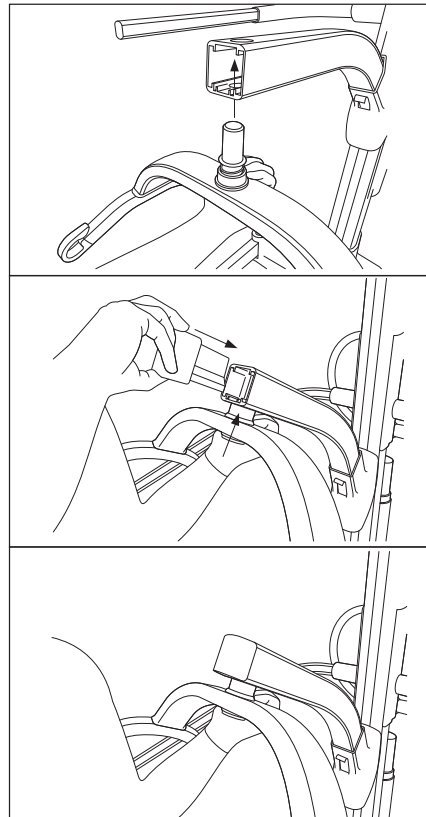
Fissare la colonna premendo a fondo l'impugnatura di blocco presente sul retro.

Batteria e pulsantiera



1. Collegare la pulsantiera alla parte inferiore del portabatterie.
2. Inserire la batteria con i terminali rivolti verso il basso.
3. Collegare il filo della pulsantiera all'impugnatura di manovra così che non cada a terra quando viene rilasciato.

Montaggio della barra di sospensione



1. Inserire il bullone di sospensione e farlo passare attraverso il braccio elevatore.
2. Assicurarsi che il bullone sia allineato correttamente prima di inserire il tappo in plastica sul braccio.
3. Verificare che la sospensione sia ben fissata.

Checklist post-montaggio



Non iniziare a utilizzare il sistema di sollevamento prima di aver completato la verifica secondo la checklist post-montaggio.

Usare la presente checklist per verificare, prima dell'utilizzo, la corretta installazione del sistema di sollevamento e il suo corretto e sicuro funzionamento.

- Assicurarsi che il braccio, la colonna di sollevamento e la barra di sospensione siano correttamente fissati e che non siano presenti elementi non fissati.
- Accertarsi che la batteria sia completamente carica (le spie non devono essere accese).
- Verificare che il sistema di sollevamento non abbia danni o altri guasti visibili.
- Effettuare un sollevamento con carico (60-80 kg).

Utilizzo di Molift Partner 255

Precauzioni generali di sicurezza

Utilizzare esclusivamente accessori e imbracature che siano adatti per l'utente, il tipo di disabilità, le dimensioni, il peso e il tipo di trasferimento.

Intervallo lavoro-pausa/ciclo di lavoro

Molift Partner 255 non deve essere tenuto in funzione per più di 2 minuti di seguito (al massimo del carico) e deve essere tenuto a riposo per 18 minuti. Ciclo di lavoro 10%. (intermittenza a norma UNI EN ISO 10535).

Carico di lavoro sicuro

Il sistema di sollevamento è provvisto della marcatura Carico di lavoro sicuro (SWL).



Se il sistema di sollevamento, la barra di sospensione e l'unità di supporto del corpo hanno un diverso carico di lavoro sicuro (SWL), impiegare il carico più basso.



I sistemi di sollevamento Molift devono essere utilizzati solamente per il sollevamento di persone. Non utilizzarli per sollevare o spostare oggetti di qualsiasi tipo.

Prima dell'utilizzo / Controllo quotidiano / Mensile

Ispezione da effettuarsi ogni giorno o prima dell'utilizzo:

- Verificare che il sistema di sollevamento non presenti danni, difetti o deformazioni visibili.
- Accertarsi che tutti i collegamenti della barra di sospensione e i componenti removibili siano collegati e fissati correttamente.
- Accertarsi che la spia di indicazione della batteria non sia illuminata e che la spia di servizio sia verde.
- Accertarsi che la cinghia dell'imbracatura non presenti danni visibili o sfilacciature.
- Accertarsi che le ruote girino liberamente e che il sistema di sollevamento sia facile da manovrare.

Ispezione da effettuarsi mensilmente:

- Effettuare una prova di funzionamento sulle funzioni del sistema di sollevamento e accertarsi che non produca rumori anomali.
- Verificare il funzionamento del pulsante di arresto di emergenza e della funzione di discesa di emergenza.

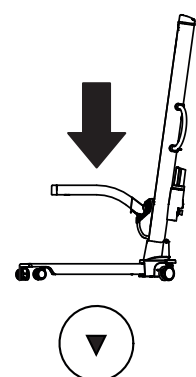
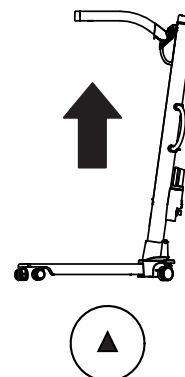
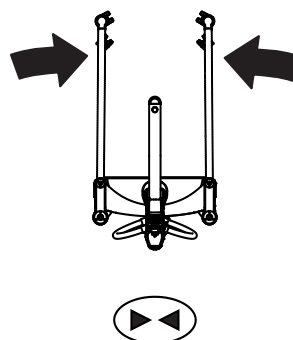
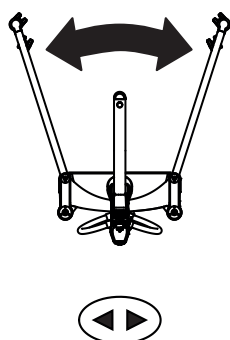
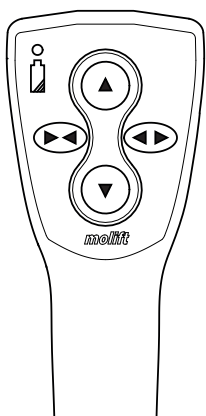
In caso vengano riscontrati danni o difetti, non utilizzare il sistema di sollevamento e designarlo come "fuori servizio".

Pulsantiera

La pulsantiera è dotata di 4 pulsanti per il sollevamento e l'abbassamento del braccio elevatore e per spostare verso dentro e verso fuori i piedi del sistema. La pulsantiera è dotata di una spia luminosa che si illumina quando il livello di carica della batteria è basso e deve essere ricaricata.

Pulsantiera a 4 pulsanti

Codice articolo: 2018004



Sollevamento/abbassamento del braccio elevatore

Nota: nella posizione più elevata il sistema di sollevamento registra la massima instabilità.

Piedi - Dentro/fuori

Nota: se i piedi sono allargati, la stabilità è maggiore ed è più facile accedere alla sedia o ai servizi igienici.

Dispositivi di sicurezza

Molift Mover 180 è dotato di diversi dispositivi di sicurezza, intesi a impedire danni o lesioni agli utenti e alle attrezzature in caso di utilizzo non corretto.

Il sistema di sollevamento ha un sensore di sovraccarico che ne impedisce il funzionamento se viene superato il carico di lavoro sicuro (SWL).

Il braccio elevatore è incernierato per impedire che il braccio e la barra di sospensione possano schiacciare l'utente. L'attuatore non esercita alcuna forza quando viene spostato verso il basso.

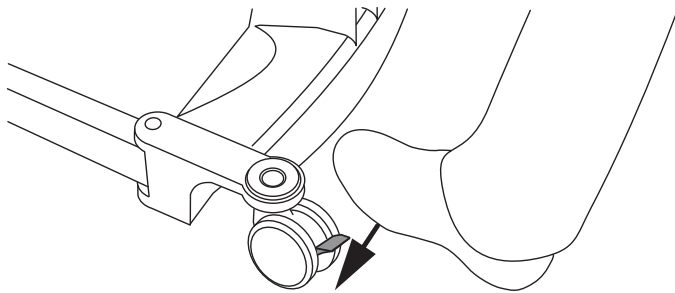
L'apparato elettronico si disattiva in presenza di surriscaldamento. Attendere che il sistema di sollevamento si sia raffreddato prima di riutilizzarlo.

Impugnature di manovra

Utilizzare le impugnature di manovra per spostare il sistema di sollevamento.

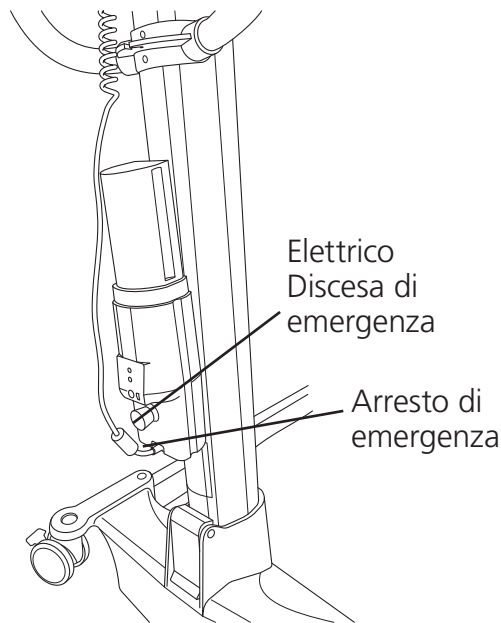
Il sistema di sollevamento deve essere utilizzato esclusivamente per lo spostamento su brevi distanze e non può sostituire una sedia a rotelle o attrezzature simili.

Freni



Le ruote/ruote girevoli posteriori sono dotate di freni. Per bloccare il freno, premere la leva. Sollevarla per sbloccare il dispositivo.

Arresto di emergenza/Discesa di emergenza



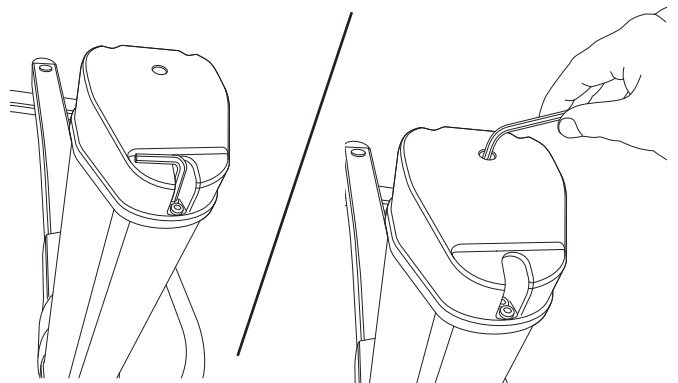
Arresto di emergenza

Quando premuto, il pulsante di arresto di emergenza toglie l'alimentazione. Ruotare in senso orario per riavviare il sistema (funziona in sicurezza quando è visibile l'anello verde).

Discesa elettrica di emergenza

Tenere premuto il pulsante per la discesa elettrica di emergenza per abbassare il braccio elevatore. Questa funzione non è operativa quando è attivato il pulsante di emergenza.

Discesa manuale di emergenza



Il dispositivo è dotato di una chiave a brugola posta sulla sommità della colonna, al fine di poterlo abbassare. Inserire la chiave a brugola nel foro sulla sommità della colonna e ruotare fino a quando il paziente non viene abbassato. Subito dopo l'abbassamento, rimuovere la chiave a brugola dal foro.

Contattare il centro di assistenza Molift se il motivo del guasto che ha causato un abbassamento di emergenza non è noto o se è stato causato da componenti o parti guaste.

Elettronica

Condizioni di trasporto e di esercizio

Trasporto e conservazione

In caso di conservazione prolungata, si consiglia di attivare (premere) il pulsante di arresto di emergenza. Il sistema di sollevamento può essere conservato e trasportato a temperature comprese tra -25 °C e 70 °C.

Esercizio

Il sistema di sollevamento è ideato per essere impiegato a normali temperature ambiente (comprese tra +5 e +40 °C).

Pressione aria: 70 - 106 kPa

Umidità relativa: 15 - 93%

A seguito di trasporto o conservazione a temperature diverse da quelle indicate, lasciare il sistema di sollevamento in un ambiente con una temperatura adatta fino a raggiungere una temperatura idonea per il funzionamento.



Le apparecchiature elettromedicali richiedono speciali precauzioni in relazione alla compatibilità elettromagnetica (EMC). Le attrezzature di comunicazione radio portatili o mobili possono interferire con le apparecchiature elettromedicali e devono essere tenute a una distanza minima di 25 cm (10 pollici) dall'apparato elettronico del sistema di sollevamento.

Batteria

Molift Partner 255 è dotato di una batteria NiMH da 26,4 V 2,6 Ah. La batteria ha una durata utile prevista di circa 500 cicli di ricarica.



Ricaricare la batteria al ricevimento e successivamente ogni sei mesi per evitare guasti alla batteria.



Smaltire le batterie usate come rifiuti speciali secondo i regolamenti e le disposizioni locali. Non smaltire nei normali rifiuti.



Le batterie devono essere caricate e scaricate completamente per un paio di volte prima di raggiungere la loro piena capacità. Seguire tale procedura anche nel caso in cui il sistema di sollevamento non sia stato utilizzato per un lungo periodo (più di 4 settimane).

Indicatore batteria e di servizio (LED)

Il sistema di sollevamento è dotato di due spie di indicazione, collocate sul portabatterie.



Indicatore servizio



Indicatore batteria

Il sistema elettrico dispone di una funzione di risparmio energetico che disattiva il sistema elettrico dopo dieci minuti di inattività. Tutte le spie vengono spente.

Il sistema viene attivato premendo uno dei pulsanti di funzionamento.

Indicatore batteria (LED):

La spia di indicazione della batteria (LED) si illumina ed emette un segnale acustico quando il livello della batteria è basso e il sistema di sollevamento necessita di essere ricaricato. Quando ciò accade il sistema di sollevamento ha energia sufficiente per un ciclo di sollevamento completo a pieno carico. Quando la batteria è in fase di esaurimento, è possibile solo abbassare il braccio elevatore.

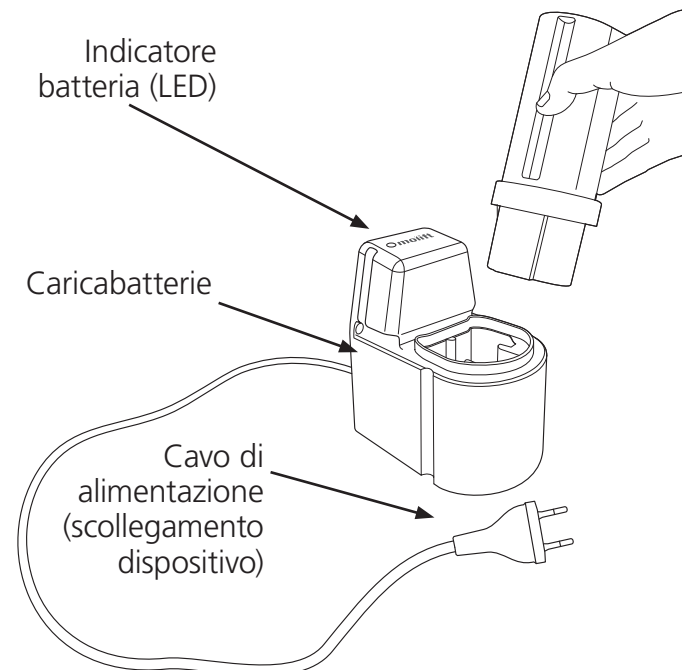
Indicatore servizio:

L'apparato elettronico del sistema di sollevamento registra i carichi sollevati e il numero di sollevamenti. Dopo un determinato periodo di esercizio, viene emesso un segnale per indicare che è necessario un intervento di assistenza.

<i>Indicatore servizio</i>	<i>Modalità</i>
Nessuna luce	Risparmio energetico (standby)
Verde	Pronto all'uso
Gialla	Richiedere assistenza
Rossa	Eseguire intervento di assistenza
Rossa + segnale acustico	Eseguire intervento di assistenza immediatamente

Ambito dell'intervento di assistenza

L'intervento di assistenza comprende la sostituzione del motore di sollevamento e l'ispezione/sostituzione dei componenti usurati. Tale intervento deve essere eseguito da personale autorizzato. È richiesta l'assistenza quando la spia di servizio è rossa (calcolo di 10.000 sollevamenti in classe di peso 4 (SWL)). Ricarica



Caricatore

Il caricatore può essere utilizzato come come caricatore da tavolo o può essere montato su una parete verticale vicino a una presa di corrente, ad almeno 120 cm dal suolo. Il caricatore deve essere usato al di fuori dell'ambiente in cui si trova il paziente. Posizionare o installare il caricatore in modo da facilitare la disconnessione della spina dell'alimentazione. Fare attenzione a non danneggiare il cavo. Il caricatore può essere collegato alla presa in qualsiasi momento.

Caricabatterie 12-24V

Codice articolo: 1340100

Battery PowerPac 26,4 V NiMH

Codice articolo: 1341000

Indicatore carica

Descrizione dell'indicatore batteria (LED):

<i>LED</i>	<i>Modalità</i>
Gialla	Pronto all'uso, nessuna batteria collegata
Gialla	Inizializzazione
Rossa	Carica rapida
Verde/gialla	Carica completa
Verde	Carica di mantenimento
Rossa/verde	Errore

Transfer

Programmare con anticipo l'operazione di sollevamento per garantire che sia quanto più sicura e fluida possibile. Operare secondo principi di ergonomia. Valutare i rischi e prendere appunti. L'assistente è responsabile della sicurezza dell'utente.

Molift Mover 255 può essere usato con barre di sospensione a 4 punti di fissaggio per diversi tipi di trasferimenti: seduto, sdraiato o deambulazione.

Utilizzo delle imbracature

È importante che l'imbracatura sia stata testata con lo specifico utente e per la situazione di sollevamento prevista.



Leggere il manuale dell'utente relativo all'imbracatura prima dell'uso.



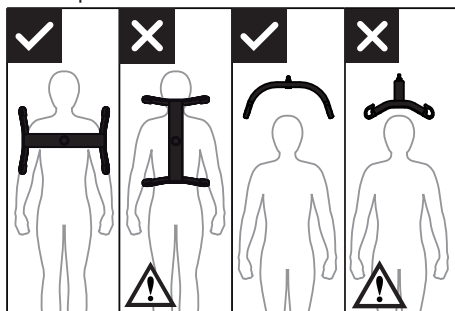
Non utilizzare imbracature danneggiate o usurate.

Imbracature di altri produttori

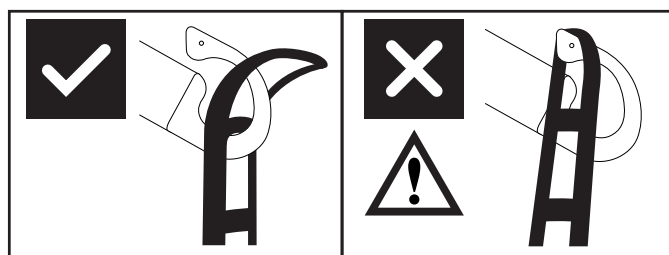
Si consiglia di utilizzare solo imbracature Molift. Etac non è responsabile di eventuali danni o incidenti che possano verificarsi quando si utilizzano imbracature di altri produttori.

Operazioni di sollevamento e abbassamento

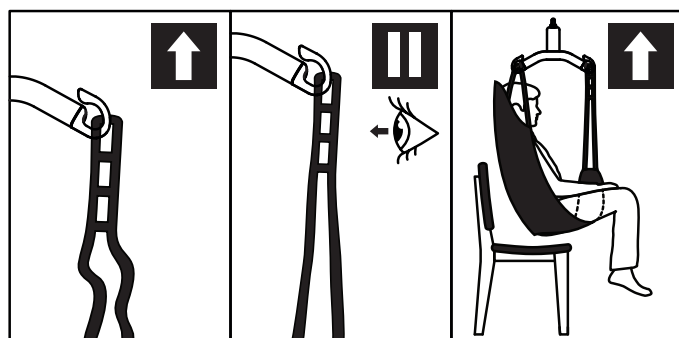
Durante lo spostamento dell'utente, rimanere a lato della persona che si sta sollevando. Accertarsi che braccia e gambe non ostacolino la sedia, il letto, ecc. Mantenere un contatto visivo con l'utente per trasmettere sicurezza.



La barra di sospensione a 4 punti deve essere sempre posizionata in modo da coprire tutto l'utente, per evitare che questi scivoli inavvertitamente fuori dall'imbracatura.



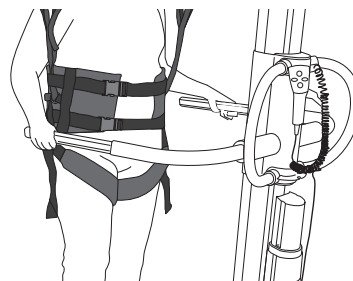
Il design del gancio della barra di sospensione impedisce il distacco accidentale dell'imbracatura, se montato correttamente.



1. Verificare che l'imbracatura sia ben allacciata all'utente e che i passanti siano correttamente agganciati ai ganci della barra di sospensione.
2. Tendere le cinghie dell'imbracatura senza sollevare l'utente. Assicurarsi che i quattro passanti dell'imbracatura siano correttamente fissati per evitare che l'utente possa scivolare o cadere.
3. Sollevare l'utente ed eseguire il trasferimento.

Bracci di supporto (opzionali)

Il sistema di sollevamento può essere utilizzato per l'allenamento alla mobilità con l'ausilio di bracci di supporto.



Il sistema può essere fornito provvisto di bracci di supporto, oppure una colonna di sollevamento completa di bracci di supporto può essere fornita come accessorio sostitutivo della colonna di sollevamento originale.

Codice articolo: 1511002

Trasferimento



Posizionare l'utente il più in basso possibile, preferibilmente con i piedi poggiati sul telaio, quando si trasferisce il sistema di sollevamento con il paziente sospeso. In questo modo il centro di gravità sarà basso e il rischio di instabilità è ridotto.



Non sollevare mai l'utente più in alto di quanto necessario per il sollevamento. Ricordare che le rotelle di un sistema di sollevamento mobile NON devono essere bloccate.



Non lasciare mai incustodito l'utente in una situazione di sollevamento.

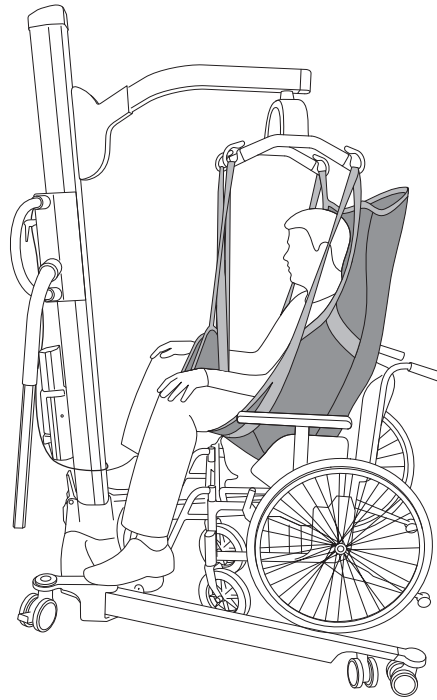
Fare attenzione durante il movimento: l'utente sospeso può oscillare durante rotazioni, arresti e partenze. Fare attenzione quando si manovra in prossimità di mobili per evitare collisioni tra l'utente sospeso e tali oggetti.



Non usare il sistema di sollevamento per sollevare o spostare utenti su superfici in pendenza.

Evitare tappeti a pelo lungo, bordi alti, superfici irregolari o altri ostacoli che potrebbero bloccare le ruote orientabili. Se si forza il passaggio su tali ostacoli, il sistema di sollevamento può perdere stabilità, rischiando di rovesciarsi.

Abbassamento in posizione seduta

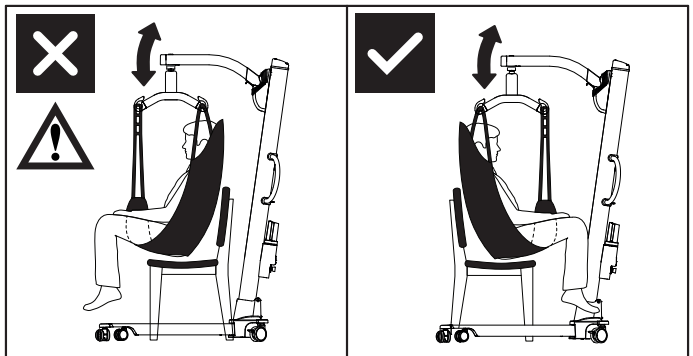


Nel trasferire l'utente in posizione seduta, possono essere utilizzate le tecniche seguenti per abbassare l'utente il più possibile sul sedile:

- A Posizionare l'utente con l'aiuto dell'impugnatura di manovra.
- B Spingere delicatamente le ginocchia dell'utente.
- C Inclinare il sedile all'indietro.



L'utente deve essere rivolto verso il sistema di sollevamento durante il sollevamento da, o l'abbassamento su, una sedia.



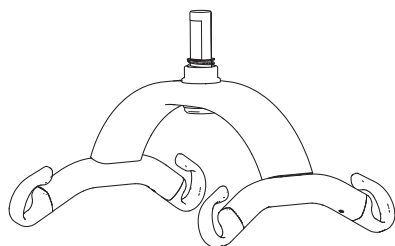
Accessori

Attrezzatura e accessori opzionali consigliati per Molift Partner 255.

Barre di sospensione

Molift Partner 255 può essere utilizzato con una barra di sospensione a 4 o 8 punti di fissaggio.

Barra di sospensione in alluminio



Media, 4 punti di fissaggio, alluminio, 450 mm
Codice articolo: 1330060

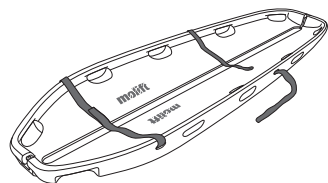
Grande, 4 punti di fissaggio, alluminio, 550 mm
Codice articolo: 1330061

XL, 4 punti di fissaggio, alluminio, 650 mm
Codice articolo: 1330062

Grande, 8 punti di fissaggio, alluminio, 1.430 mm
Codice articolo: 2140002

Barella

La barella Molift può essere utilizzata insieme a qualsiasi barra di sospensione a 4 punti di fissaggio Molift.



Barella Scoop compatibile con sistemi MRI (SWL 300 kg). Codice articolo: 2150108

Bilancia

La bilancia Molift è approvata come dispositivo di Classe III. La bilancia è anche in grado di calcolare l'IMC (indice di massa corporea).

Set bilancia Molift (senza barra di sospensione)
articolo: 1331002

Imbracature

Etac offre un'ampia gamma di imbracature per diversi tipi di trasferimenti.

La serie di imbracature RgoSling Molift è progettata per essere utilizzata in combinazione con una barra di sospensione a 4 punti di fissaggio, ma funziona anche con una barra di sospensione a 2 punti di fissaggio. La serie EvoSling di Etac è progettata per essere utilizzata in combinazione con una barra di sospensione a 2 punti di fissaggio. Consultare l'elenco delle combinazioni nel manuale dell'utente dell'imbracatura per la corretta combinazione di imbracatura e barra di sospensione. La serie di imbracature è disponibile nelle misure da XXS a XXL, sia nella versione in poliestere che nella versione in rete di poliestere.

RgoSlings:

- RgoSling Mediumback Padded (XS-XXL)
- RgoSling Highback Padded (XS-XXL)
- RgoSling Mediumback Net (XXS-XXL)
- RgoSling Highback Net (XXS-XXL)
- RgoSling Toilet Lowback (XXS-XXL)
- RgoSling Toilet Highback (XXS-XXL)
- RgoSling Ampu Mediumback (XXS-XXL)
- RgoSling Ampu Highback (XXS-XXL)
- RgoSling Ambulating Vest (XXS-XL)
- RgoSling Comfort Highback (S-L)

Accessori:

- RgoSling Extension Loops
- RgoSling Ambulating Vest Groin strap (XXS-XL)

Manutenzione

Pulizia e disinfezione

Effettuare la pulizia regolarmente. Pulire le superfici con un panno umido utilizzando un apposito detergente con pH neutro. Non utilizzare solventi o detergenti aggressivi, che potrebbero danneggiare le superfici del sistema di sollevamento. Per la disinfezione, quando necessario: usare alcool isopropilico. Evitare l'impiego di prodotti di pulizia abrasivi. Rimuovere capelli e pelucchi dalle ruote e accertarsi che ruotino liberamente. Pulire i contatti e la pulsantiera con alcool isopropilico per rimuovere grasso e sporcizia. Verificare il funzionamento dell'arresto di emergenza e della funzione di discesa di emergenza dopo la pulizia. Non esporre il sistema di sollevamento ad acqua corrente.



Accertarsi di non danneggiare o rimuovere le etichette durante la pulizia.

Rimessa in servizio

Seguire la procedura di pulizia e montaggio, completare l'ispezione periodica e usare la checklist post-montaggio per rimettere in servizio il sistema di sollevamento.

Riciclaggio

Fare riferimento alle "Istruzioni sul riciclaggio" (Recycling instructions) per un corretto smaltimento del prodotto. Questo documento è disponibile su www.etac.com.

Ricambi

Un elenco dei ricambi è disponibile su richiesta.

Ispezione periodica

Finalità dell'ispezione periodica

L'ispezione periodica è un esame visivo (in particolare della struttura di sostegno del carico del sistema di sollevamento e del meccanismo di sollevamento, compresi attacchi, freni, comandi, dispositivi di sicurezza e dispositivi di sostegno delle persone) in base al Rapporto di ispezione periodica di Molift Partner 255. Questo documento è disponibile su www.etac.com.

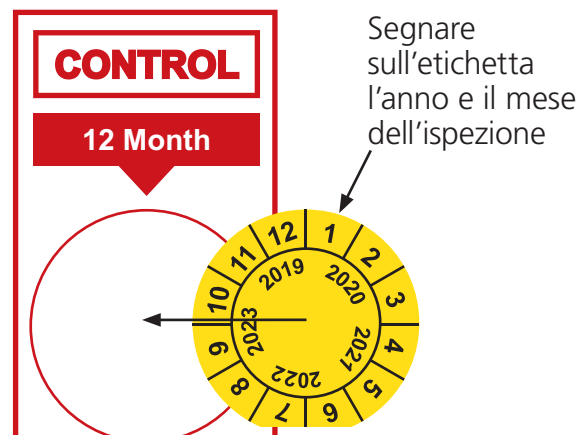


In caso di sicurezza compromessa, il sistema di sollevamento deve essere messo immediatamente fuori servizio e designato chiaramente con "fuori servizio", evitando di essere utilizzato fino alla sua riparazione.

L'ispezione periodica deve essere effettuata almeno una volta all'anno o con maggiore frequenza se richiesto dalle disposizioni locali. L'ispezione deve essere eseguita da personale di assistenza autorizzato da Etac. Contattare Etac all'indirizzo molift@etac.com per informazioni su formazione e autorizzazioni oppure per conoscere i partner di assistenza autorizzati. Durante l'esecuzione dell'ispezione periodica,

il manutentore dovrà compilare il rapporto per Molift Partner 255. I rapporti devono essere conservati dalla persona o dalle persone responsabili della manutenzione del sistema di sollevamento. Se l'ispezione rivela difetti o danni, notificare il proprietario.

Una volta completata l'ispezione periodica, il manutentore apporrà un adesivo sull'etichetta di controllo contenente la data in cui è stata effettuata l'ispezione periodica e un'etichetta (con un ID a 6 cifre di Etac o del distributore) che indica chi ha eseguito il controllo periodico. L'etichetta di controllo si trova sul lato destro del portabatterie e indica quando dovrà essere effettuato il successivo intervento di assistenza.



Risoluzione dei problemi

Sintomo	Possibile causa/Intervento
Gioco della colonna di sollevamento.	La colonna di sollevamento non è posizionata correttamente nel telaio o l'impugnatura di blocco non è completamente bloccata. Assemblare colonna e telaio in modo appropriato.
Il sistema di sollevamento si muove in modo non uniforme su una superficie piana.	Le ruote orientabili non si muovono in modo corretto a causa di pelucchi e polvere. Pulire le ruote. Rimuovere capelli e sporco.
Il braccio elevatore o i piedi regolabili si muovono senza controllo.	Cortocircuito tra pulsantiera e sistema di sollevamento. Pulire la superficie di contatti e pulsantiera con alcool per rimuovere il grasso.
	Pulsantiera difettosa. Sostituire la pulsantiera.
	Il sistema elettrico della pulsantiera si è guastato. Contattare il rivenditore locale per assistenza.
Il sistema di sollevamento non risponde ai comandi manuali/Il braccio elevatore o i piedi non si muovono.	È stato attivato il pulsante di emergenza. Ruotare il pulsante in senso orario per riavviare il sistema di emergenza.
	La batteria è scarica. Sostituire o caricare la batteria.
	L'apparato elettronico è surriscaldato. Attendere che si raffreddi.
	Il sistema di sollevamento è sovraccarico. Verificare che il carico non ecceda il carico SWL consentito.
	La pulsantiera non è collegata correttamente. Collegare correttamente la pulsantiera. La pulsantiera, la spina o il cavo potrebbero essere danneggiati e devono essere sostituiti.
	Non c'è connessione tra i contatti del telaio e della colonna. La colonna non è montata correttamente nel telaio. Assemblare colonna e telaio in modo appropriato.
	Il sistema di controllo elettronico è difettoso. Contattare il rivenditore locale per assistenza.
La batteria non si carica.	Batteria difettosa. Controllare gli indicatori sul caricatore durante la ricarica. Provare un'altra batteria.
	Caricatore difettoso. Controllare gli indicatori sul caricatore durante la ricarica. Provare un altro caricatore.

Manuel français

Important

Ce manuel d'utilisation contient des instructions de sécurité importantes et des informations relatives à l'utilisation du lève-personne et de ses accessoires.

Dans ce manuel, l'« utilisateur » désigne la personne soulevée.

L'« assistant » est la personne actionnant le lève-personne.



Avertissement !

Ce symbole signale des informations importantes liées à la sécurité. Suivez-les attentivement.



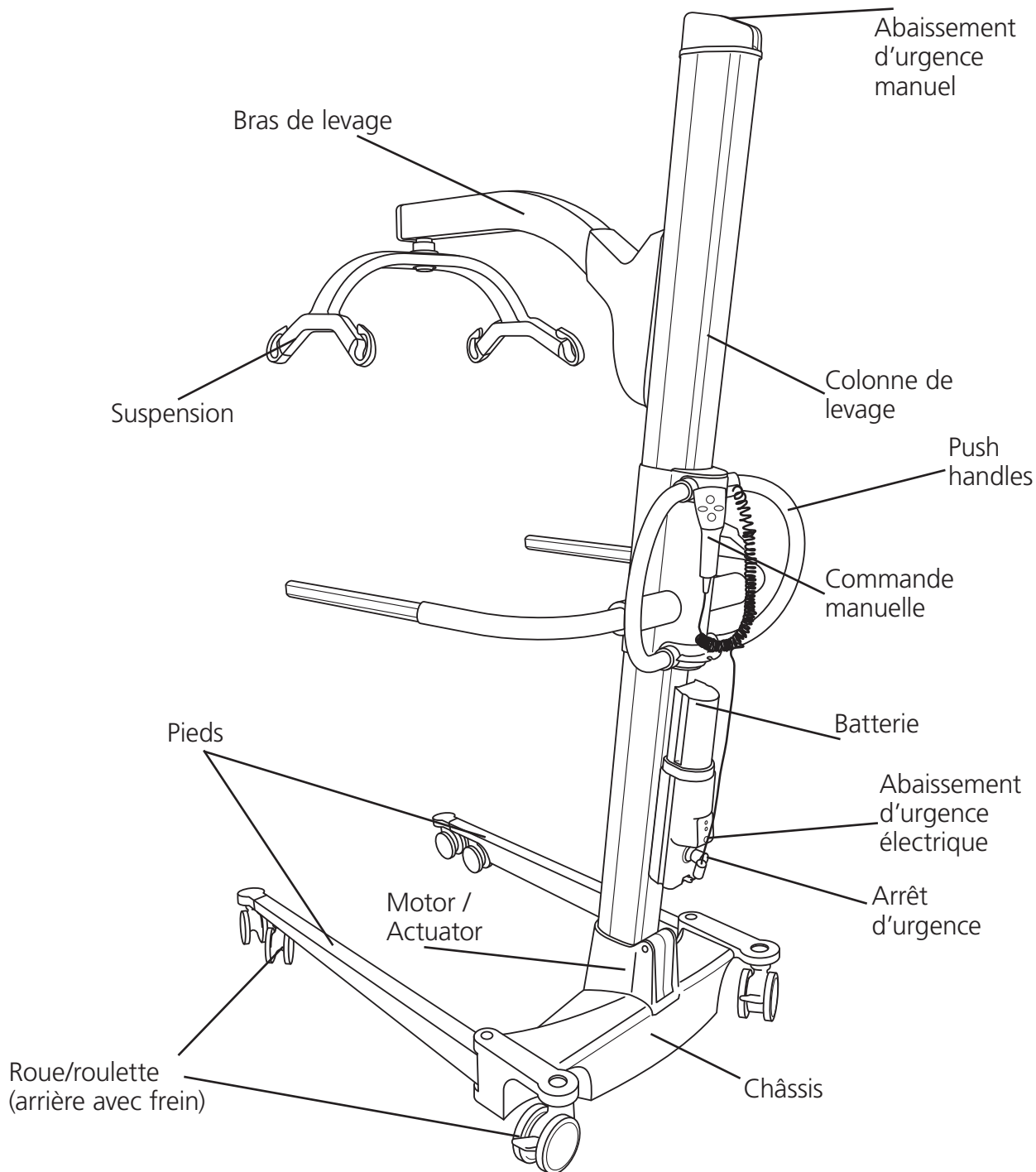
Lisez le manuel d'utilisation avant toute utilisation !

Il est important de comprendre parfaitement le contenu du manuel d'utilisation avant de tenter d'utiliser l'équipement.

Rendez-vous sur www.etac.com pour télécharger la documentation et vous assurer que vous disposez bien de la dernière version.

Molift Partner 255

Composants du lève-personne :



À propos du Molift Partner 255

Le Molift Partner 255 constitue une solution idéale pour le levage par treuil dans les situations hautement complexes des soins actifs et intensifs, que ce soit dans des hôpitaux ou des établissements de soins. Grâce à une plage de levage par treuil remarquable, 37-179 cm (14,5"-70,4"), le Molift Partner 255 permet de lever facilement par treuil depuis le sol ou des surfaces élevées. Le pied central vertical droit associé à la suspension fixe offre

une excellente stabilité et maintient l'utilisateur à une bonne distance du pied. Avec un poids total de seulement 42,5 kg (94 lbs), le Molift Partner 255 est un des plus légers de sa catégorie. La construction et le positionnement des roues exclusifs assurent une manœuvrabilité très simple avec une charge maximale d'utilisation de 255 kg (562 lbs). Muni d'une batterie Ni-MH écologique.

Généralités



Déclaration CE

Le produit et ses accessoires, décrits dans le présent mode d'emploi, sont conformes au règlement (UE) 2017/745 du 5 avril 2017 à titre de dispositif médical de classe I.
Le produit a été testé et approuvé par un organisme tiers conformément aux normes CEI 60601-1, CEI 60601-1-2 et EN/ISO 10535:2006.
Tout incident grave survenant en lien avec le dispositif doit être signalé au fabricant et à l'autorité compétente de l'État membre dans lequel l'utilisateur et/ou le patient est établi.

Conditions d'utilisation

Le levage et le transfert d'une personne présentent toujours un risque ; seul du personnel formé est autorisé à utiliser l'équipement et les accessoires présentés dans ce manuel d'utilisation.

Modifications et utilisation de composants conçus par d'autres fabricants.

Nous recommandons d'utiliser uniquement des composants et pièces de rechange Molift. La déclaration de conformité n'est pas valable et Etac ne prend pas en charge la garantie si des modifications sont apportées au produit. Etac ne peut être tenu responsable des pannes ou des accidents pouvant se produire lors de l'utilisation de composants d'autres fabricants.



Seul du personnel certifié est autorisé à ouvrir le lève-personne ou ses accessoires afin de réaliser des opérations d'entretien ou de réparation. Risque de blessure causée par les pièces rotatives et risque de choc électrique.

Le lève-personne n'est pas destiné à être actionné par la personne soulevée.

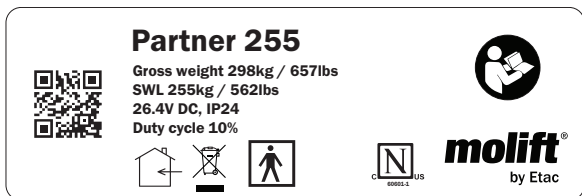
Avis de garantie

Garantie de deux ans contre les vices de fabrication et les défauts matériels de nos produits.
Garantie d'un an pour la batterie.
Pour connaître les conditions générales, veuillez consulter le site www.etac.com.

Identification du produit

Étiquette du produit

Le code-barres de l'étiquette du produit contient l'identifiant, le numéro de série et la date de fabrication du produit.



Partie appliquée de type BF



Témoin de batterie



Marquage CE



Marquage de l'organisme de certification



Consultez le manuel d'utilisation



Fabricant



Utilisation en intérieur uniquement



Date de fabrication



Ne jetez pas avec les déchets ménagers



Référence catalogue



Abaissement d'urgence



Numéro de série



Témoin d'entretien



Dispositif médical

Étiquettes d'avertissement et symboles

Symboles utilisés sur le produit, expliqués en détails:

Technical Data

Charge maximale d'utilisation (SWL) :

255 kg (562 lb)

Poids de l'unité :

sans batterie et suspension :

38.3 kg/84,4 lb

Châssis : 20 kg/44 lb

Colonne de levage : 15 kg/33 lb

Batterie : 1,6 kg/3,5 lb

Suspension medium à 4 points :

3,5 kg/7,7 lb

Batterie :

Art. n° 1341000

26.4 V NiMH 2.6 Ah

Chargeur de batterie :

100-240 V CA, 50-60 Hz

0,9 A de puissance de sortie

Vitesse de levage :

42.9 mm/seconde (1,81 pouce/seconde)

avec une charge de 75 kg (165 lb)

Classe de protection :

Commande manuelle IP24

Moteur de levage IP24

Niveau de puissance acoustique pondéré A max. :

$L_{WA} = 49,4$ dB

Force nécessaire à l'actionnement des boutons :

Boutons du boîtier de contrôle : 3,4 N

Matériaux :

Aluminium, plastique, acier

Moteur :

Moteur de levage/actionneur : 24 V CC

Moteur d'écartement des pieds : 12 V CC

Diamètre de rotation :

1 400 mm (55.1 pouces)

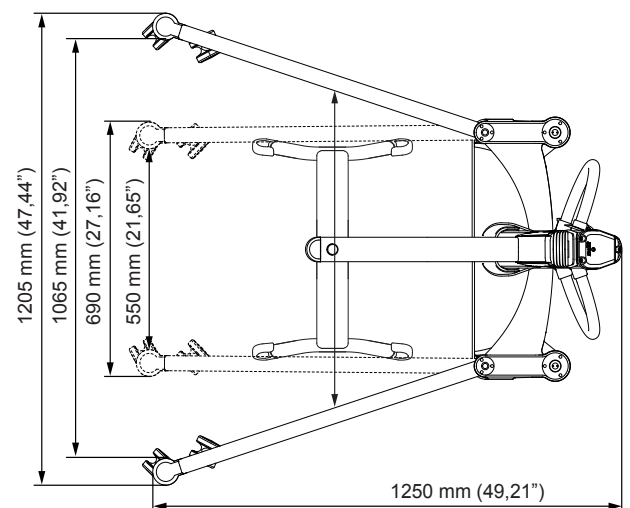
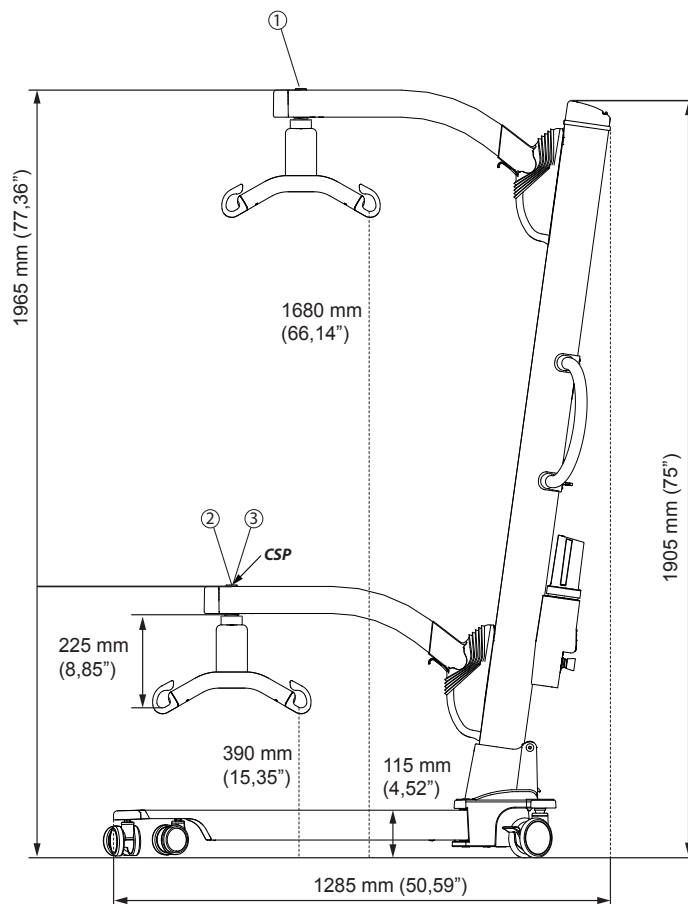
Nombre de levages avec batterie

entièrement chargée :

50 levages (75 kg/165 lb, 50 cm/20 pouces)

Durée de vie prévue :

Le lève-personne a une durée de vie prévue de 30 000 levages à CMU ou de 10 ans.



① Highest position: 1965 mm (77,36")

② Max reach: 615 mm (24,2")

③ Lowest position: 615 mm (24,2")

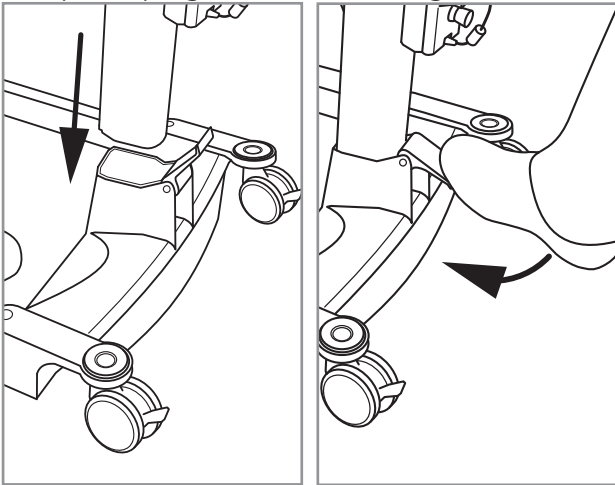
Montage

Chargez la batterie. La batterie ne doit pas se trouver dans son support lors du montage !

Colonne de levage

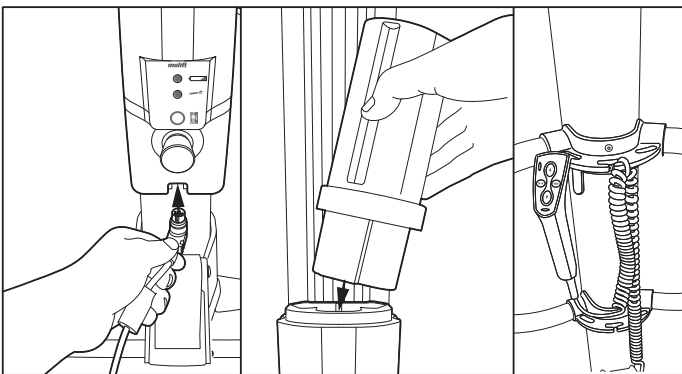
Placez la colonne de levage dans le châssis. Assurez-vous que la flèche rouge située sur la partie inférieure de la colonne correspond au bord du châssis.

Assurez-vous que la vis sur la colonne se trouve dans l'orifice sur le châssis. Cela empêche que la colonne se désolidarise du châssis en se soulevant lorsque la poignée de verrouillage est abaissée.



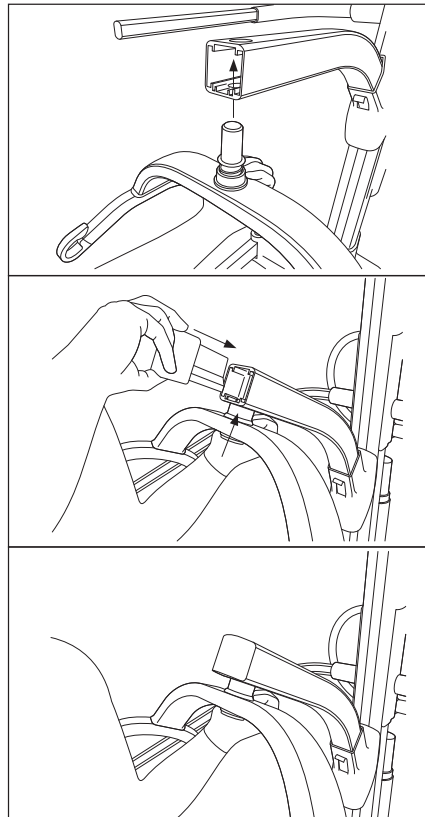
Bloquez la colonne en poussant à fond la poignée de verrouillage à l'arrière.

Batterie et commande manuelle



1. Reliez la commande manuelle au bas du support de batterie.
2. Insérez la batterie en orientant les bornes vers le bas.
3. Branchez le câble de la commande manuelle sur la poignée de poussée afin qu'il ne tombe pas sur le sol lorsque vous le lâchez.

Montage de la suspension



1. Enfoncez le tenon de la suspension dans le bras de levage.
2. Assurez-vous que le tenon est correctement aligné avant de réinsérer la coque en plastique sur le bras.
3. Assurez-vous que la suspension est correctement fixée.

Liste de vérification post-montage



Terminez le contrôle indiqué par la liste de vérification post-montage avant de commencer à utiliser le lève-personne.

Utilisez cette liste de vérification pour vous assurer que le lève-personne est installé comme il faut et peut fonctionner correctement et en toute sécurité avant toute utilisation.

- Assurez-vous que le bras de levage, la colonne de levage et la suspension sont fixés correctement et qu'aucune pièce n'est desserrée sur le lève-personne.
- Assurez-vous que la batterie est chargée (aucun témoin de batterie allumé).
- Vérifiez que le lève-personne ne présente aucun dommage apparent ou autre défaut.
- Réalisez un levage avec charge (60-80 kg).

Comment utiliser le Molift Partner 255

Précautions générales relatives à la sécurité

N'utilisez que des accessoires et des harnais adaptés à l'utilisateur, à son type de handicap, à sa taille et à son poids, ainsi qu'au type de transfert.

Intervalle de fonctionnement et de pause/pourcentage d'utilisation.

Le Molift Partner 255 ne doit pas fonctionner en continu pendant plus de 2 minutes (sous charge maximale) et doit rester au repos pendant au moins 18 minutes. Pourcentage d'utilisation : 10 %. (Intervalle conforme à la norme EN ISO 10535)

Charge maximale d'utilisation

Une charge maximale d'utilisation (SWL) est indiquée sur le lève-personne.



Si les charges maximales d'utilisation (CMU) du lève-personne, de la suspension et de l'unité de soutien du corps sont différentes, la charge maximale la plus faible prévaut toujours.



Les lève-personnes Molift peuvent uniquement être utilisés pour soulever des personnes. N'utilisez jamais le lève-personne pour soulever ou déplacer des objets d'aucune sorte.

Avant utilisation / Contrôle quotidien / Chaque mois

Contrôles à réaliser quotidiennement ou avant toute utilisation :

- Vérifiez que le lève-personne ne présente aucun dommage visible, défaut ou déformation.
- Assurez-vous que la suspension et toutes les pièces détachables sont correctement connectées et fixées.
- Vérifiez que le témoin de batterie n'est pas allumé et que le témoin d'entretien est vert.
- Assurez-vous que la sangle du harnais ne présente aucun signe de dommage ou d'effilochage.
- Assurez-vous que les roues tournent librement et que le lève-personne est facile à manœuvrer.

Contrôles à réaliser chaque mois :

- Testez les fonctions du lève-personne et assurez-vous que le lève-personne ne fait pas de bruit anormal.
- Testez le bouton d'arrêt d'urgence et l'abaissement d'urgence.

En présence de défauts, l'appareil doit être mis hors d'état de fonctionnement et marqué « hors service ».

Commande manuelle

La commande manuelle est munie de 4 boutons pour le levage et l'abaissement du bras de levage et le resserrement et l'écartement des pieds. La commande manuelle est munie d'un témoin lumineux qui s'allume lorsque le niveau de la batterie est faible et que le lève-personne doit être chargé. 4 boutons de la commande manuelle:

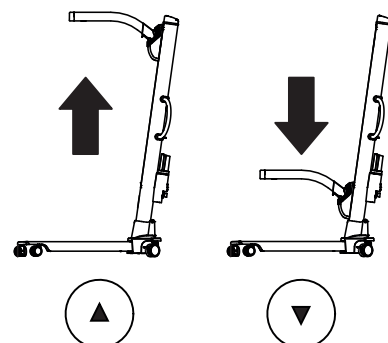
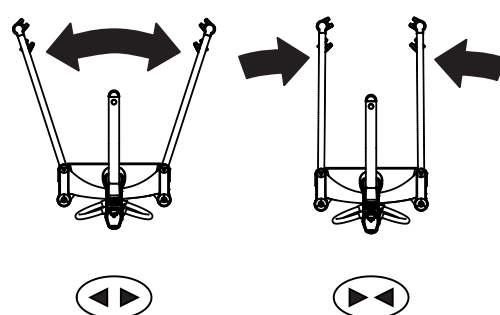
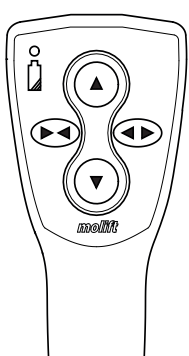
Art. n° 2018004

Bras de levage - montée/descente

Remarque : la position la plus haute est la plus instable pour le lève-personne.

Pieds - rapprochement/écartement

Remarque : l'écartement des pieds améliore la stabilité et facilite l'accès à la chaise ou aux toilettes.



Dispositifs de sécurité

Le Molift Partner 255 est équipé de plusieurs dispositifs de sécurité, conçus pour prévenir tout dommage matériel ou blessure du personnel en cas d'utilisation incorrecte.

Le lève-personne est muni d'un capteur de surcharge empêchant toute utilisation du dispositif si la charge dépasse la SWL.

Le bras de levage est articulé pour empêcher le bras ou la suspension de comprimer l'utilisateur. L'actionneur n'exerce aucune force lors du déplacement vers le bas.

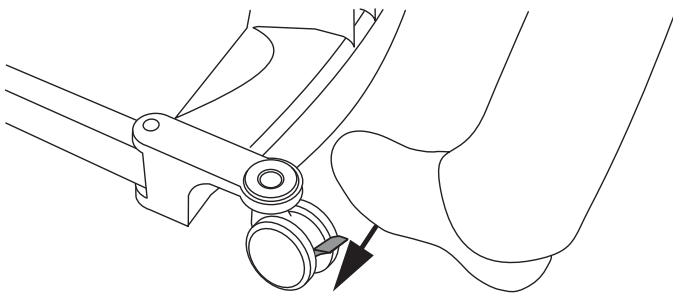
Le système électronique se désactive en cas de surchauffe. Attendez que le lève-personne ait refroidi pour l'utiliser à nouveau.

Poignées de poussée

Utilisez les poignées de poussée pour déplacer le lève-personne.

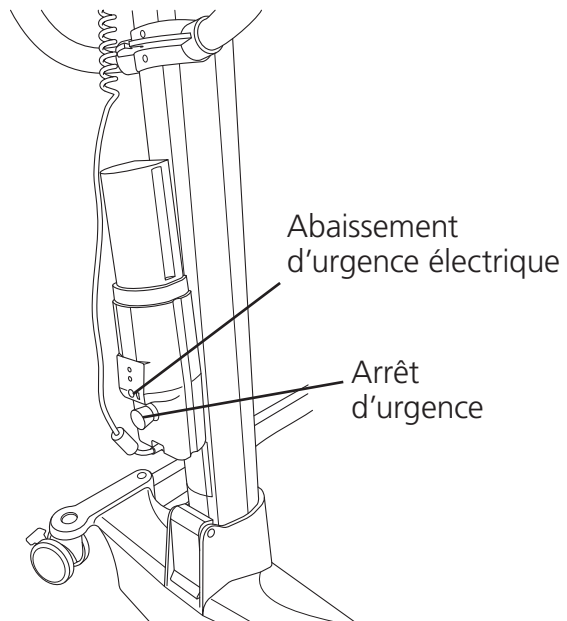
Le lève-personne ne doit être utilisé que pour des déplacements sur de courtes distances. Il ne remplace pas un fauteuil roulant ou un dispositif similaire.

Freins



Les roues/roulettes arrière sont équipées de freins. Appuyez sur le levier avec le pied pour verrouiller les freins. Remontez-le pour les déverrouiller.

Emergency Stop / Emergency lowering



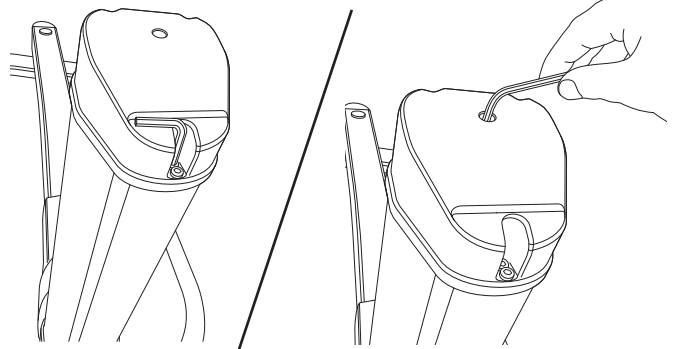
Arrêt d'urgence

Une pression sur ce bouton coupe l'alimentation. Tournez-le dans le sens horaire pour réinitialiser (peut être utilisé lorsque la bague verte est visible).

Abaissement d'urgence électrique

Appuyez sur le bouton d'abaissement d'urgence électrique et maintenez-le enfoncé pour baisser le bras de levage. La fonction d'abaissement d'urgence électrique ne peut pas être utilisée si l'arrêt d'urgence est activé.

Abaissement d'urgence manuel



Une clé Allen est disposée en haut de la colonne, elle sert à l'abaissement manuel. Placez la clé Allen dans l'orifice en haut de la colonne et faites-la tourner jusqu'à ce que le patient soit en position basse.

N'oubliez pas de retirer la clé Allen de l'orifice immédiatement après l'abaissement.

Contactez le technicien d'entretien agréé Molift si la raison de la défaillance ayant entraîné un abaissement d'urgence est inconnue ou s'il résulte de pièces ou de composants défectueux. or parts.

Systeme électronique

Conditions de transport et de fonctionnement

Transport et stockage

En cas de stockage à long terme, il est recommandé d'activer le bouton d'arrêt d'urgence (bouton enfoncé). Vous pouvez stocker et transporter le lève-personne à des températures comprises entre -25 et 70 °C.

Fonctionnement

Le lève-personne est destiné à être utilisé à des températures ambiantes standard (+5 à +40 °C).

Pression de l'air : 70-106 kPa

Humidité relative : 15-93 %

Après un stockage ou un transport à d'autres températures, laissez le lève-personne dans une pièce présentant une température adéquate jusqu'à ce qu'il atteigne une température de fonctionnement sûre.



Les équipements électromédicaux nécessitent des précautions spéciales en matière de compatibilité électromagnétique (CME). Les équipements de radiocommunication portables ou mobiles peuvent affecter les équipements électromédicaux et doivent rester à au moins 25 cm (10 pouces) du système électronique du lève-personne.

Batterie

Le Molift Partner 255 est équipé d'une batterie NiMH 26,4 V 2,6 Ah. La batterie présente une durée de vie de 500 cycles de charge environ.



Rechargez la batterie à sa réception, puis rechargez-la tous les six mois, pour éviter toute défaillance de celle-ci.



Les batteries utilisées doivent être mises au rebut comme déchets spéciaux conformément aux règles et réglementations locales. Ne les jetez pas avec les déchets ménagers.



Les batteries doivent être complètement chargées puis vidées deux fois avant d'atteindre leur capacité totale. Suivez aussi cette procédure si le lève-personne n'a pas été utilisé pendant une longue période (4 semaines ou plus).

Témoins de batterie et d'entretien (LED)

Le lève-personne présente deux témoins lumineux sur le support de batterie.

	Témoin d'entretien
	Témoin de batterie

Le système électrique est pourvu d'une fonction d'économie d'énergie qui désactive le système électrique au bout de dix minutes d'inactivité. Tous les témoins lumineux s'éteignent. Pour réactiver le système, appuyez sur l'un des boutons de commande.

Témoin de batterie (LED)

Le témoin de batterie (LED) s'allume et émet un signal sonore lorsque le niveau de batterie est faible et que le lève-personne doit être chargé. Dans ce cas, le lève-personne dispose de suffisamment d'énergie pour un cycle complet de levage à charge maximale. Lorsque le niveau de la batterie est critique, il est seulement possible d'abaisser le bras de levage.

Témoin d'entretien

Le système électronique du lève-personne mémorise le nombre de levages et les charges correspondantes. Au bout d'un certain temps de fonctionnement, un signal est envoyé pour indiquer qu'un entretien est nécessaire.

<i>Témoin d'entretien</i>	<i>Mode</i>
Éteint	Économie d'énergie (veille)
Vert	Prêt à être utilisé
Jaune	Prévoir un entretien
Rouge	Réaliser l'entretien
Rouge + signal sonore	Réaliser l'entretien immédiatement

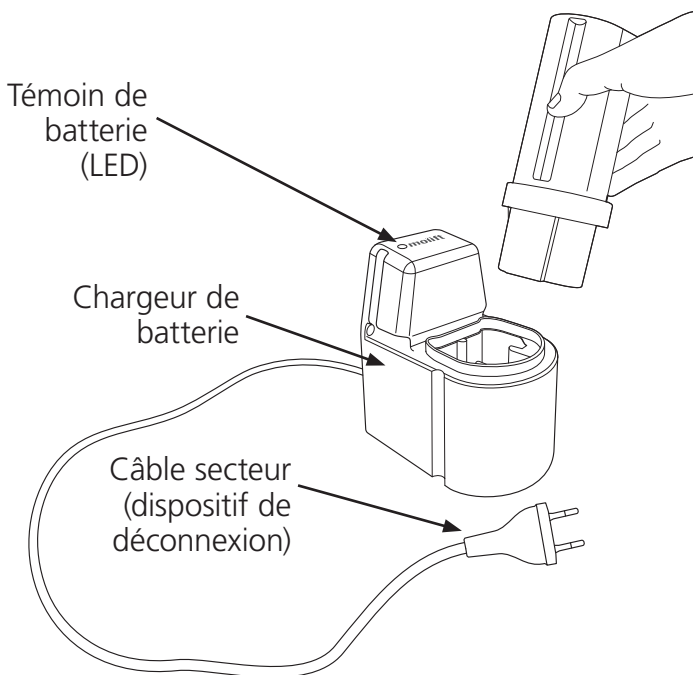
Entretien

L'entretien comprend le remplacement du moteur de levage et l'inspection/le remplacement des pièces usées. Il doit être effectué par du personnel autorisé.

Un entretien est nécessaire lorsque le témoin d'entretien est rouge (10 000 levages calculés avec un poids de classe 4 (SWL)).

Charge

Chargeur de batterie



Le chargeur de batterie peut être utilisé sur une table ou monté sur une surface murale verticale à proximité d'une prise de courant et à au moins 120 cm du sol. Il doit être utilisé en dehors de l'environnement du patient et placé ou installé de façon à faciliter le débranchement du câble secteur. Prenez garde à ne pas endommager le câble. Le chargeur peut être connecté à la prise électrique à tout moment.

Chargeur de batterie 12-24V
Art. n° 1340100
PowerPac 26,4 V NiMH
Art. n° 1341000

Témoin du chargeur

Description du témoin de batterie (LED) :

<i>LED</i>	<i>Mode</i>
Jaune	Prêt à être utilisé, aucune batterie connectée
Jaune	Initialisation
Rouge	Charge rapide
Vert/jaune	Charge d'appoint
Vert	Charge d'entretien
Rouge/vert	Erreur

Transfer

Planifiez l'opération de levage en avance afin de garantir une procédure aussi sûre et en douceur que possible. Pensez à adopter une position de travail ergonomique. Évaluez les risques et prenez des notes. L'assistant est responsable de la sécurité de l'utilisateur.

Le Molift Partner 255 peut être utilisé avec une suspension à 4 points, pour divers types de transferts : assis, couché ou aide à la marche.

Utilisation des harnais

Il est important que le harnais soit testé avec chaque utilisateur et pour le levage prévu.



Lisez le manuel d'utilisation du harnais avant toute utilisation.



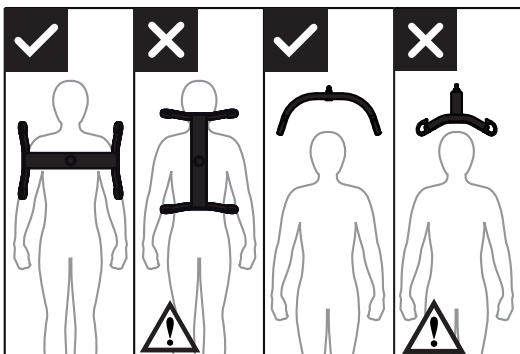
N'utilisez pas de harnais endommagés ou usés.

Harnais d'autres fabricants

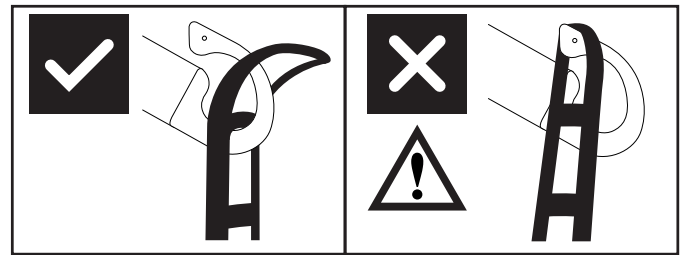
Nous recommandons d'utiliser uniquement les harnais Molift. Etac ne peut être tenu responsable des pannes ou des accidents pouvant se produire lors de l'utilisation de harnais d'autres fabricants.

Levage et abaissement

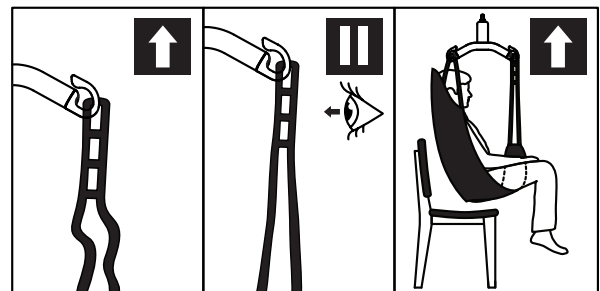
Lorsque vous déplacez l'utilisateur, tenez-vous à côté de lui. Assurez-vous que vos bras et jambes n'obstruent pas l'accès au siège, au lit, etc. Maintenez le contact visuel avec l'utilisateur pour qu'il se sente en sécurité.



La suspension à 4 points doit toujours être positionnée sur la largeur de l'utilisateur afin que ce dernier ne glisse pas accidentellement hors du harnais.



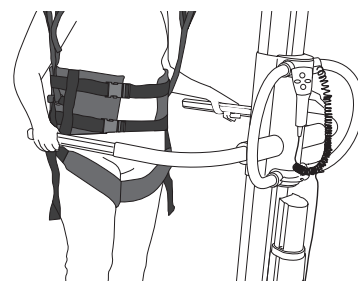
La conception du crochet de la suspension empêche le harnais de se détacher accidentellement lorsqu'il est monté correctement.



1. Vérifiez que le harnais est correctement placé autour de l'utilisateur et que les boucles de sangle sont correctement fixées sur les crochets de la suspension.
2. Étirez les sangles du harnais sans soulever l'utilisateur. Assurez-vous que les quatre boucles du harnais sont fermement fixées afin d'éviter tout glissement ou toute chute de l'utilisateur.
3. Soulevez l'utilisateur et procédez au transfert.

Bras d'appui (en option)

Le lève-personne peut être utilisé pour l'entraînement à la marche grâce à des bras d'appui.



Le lève-personne peut être livré avec des bras d'appui ; une colonne de levage avec des bras d'appui peut également être livrée en tant qu'accessoire à permuter avec la colonne de levage d'origine.

Colonne avec bras d'appui
Art. n° 1511002

Transfert



Essayez de positionner l'utilisateur le plus bas possible (de préférence avec les pieds sur le châssis) lors de transferts à l'aide du lève-personne. Vous abaissez ainsi le centre de gravité, ce qui réduit le risque d'instabilité.



Ne soulevez jamais l'utilisateur plus haut que nécessaire pour procéder au levage. Rappelez-vous que les roues du lève-personne mobile NE doivent PAS être bloquées.



Ne laissez jamais un utilisateur sans surveillance au cours d'un levage.

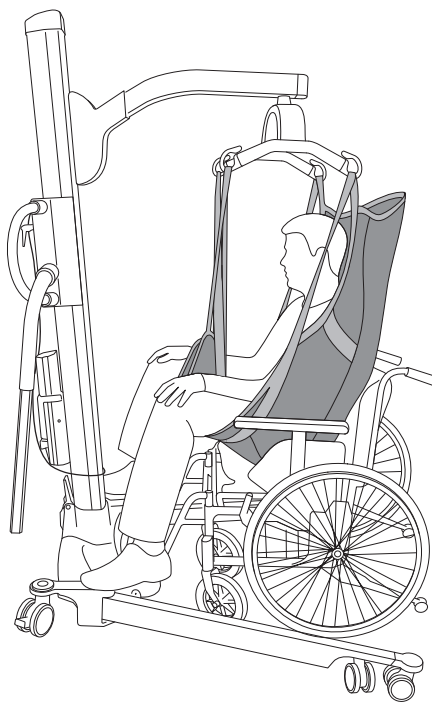
Soyez prudent lorsque vous faites bouger l'utilisateur suspendu car il peut se retourner pendant les rotations, les arrêts et les mises en mouvement. Faites attention lorsque vous effectuez des manœuvres à proximité de meubles pour éviter que l'utilisateur suspendu ne heurte ces objets.



Le lève-personne ne doit pas être utilisé pour lever ou déplacer des utilisateurs sur des surfaces inclinées.

Évitez les tapis épais, marches hautes, surfaces inégales ou autres obstacles susceptibles de bloquer les roulettes. Le lève-personne peut devenir instable en cas de passage forcé sur de tels obstacles, augmentant ainsi le risque de basculement.

Installation en position assise

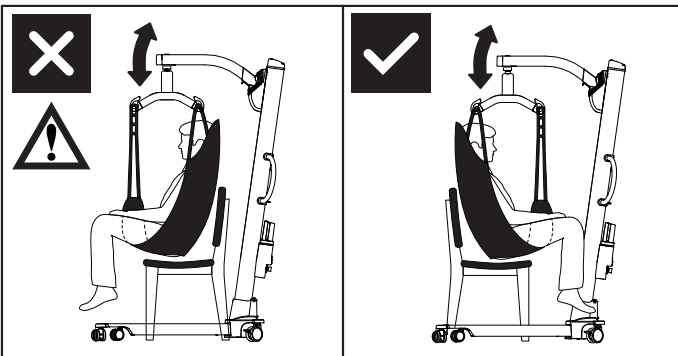


Lors du transfert de l'utilisateur en position assise, les techniques suivantes peuvent être utilisées pour l'installer le plus au fond du siège possible :

- A Installez l'utilisateur à l'aide de la poignée de poussée
- B Appuyez doucement sur les genoux de l'utilisateur
- C Inclinez le siège vers l'arrière



L'utilisateur doit être en face du lève-personne lorsqu'on le soulève d'une chaise ou l'y fait s'y asseoir.



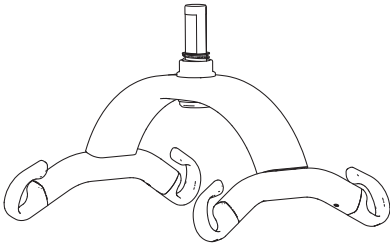
Accessories

Équipement facultatif et accessoires recommandés pour le Molift Partner 255.

Suspensions

Le Molift Partner 255 peut être utilisé avec une suspension à 4 points ou à 8 points.

Suspension en aluminium



4 points Medium, aluminium, 450 mm,
Art. n° : 1330060

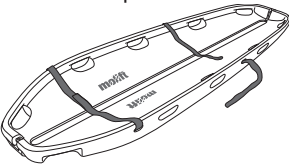
4 points Large, aluminium, 550 mm,
Art. n° : 1330061

4 points XL, aluminium, 650 mm,
Art. n° : 1330062

8 points Large, aluminium, 1 430 mm,
Art. n° : 2140002

Civière

La civière Molift peut être utilisée avec tous les Molift à suspension à 4 points



Compatible avec la civière cuillère MRI (SWL 300 kg). Art. n° : 2150108

Balance

La balance Molift est homologuée classe III. La balance peut également calculer l'IMC (indice de masse corporelle).

Balance Molift (sans suspension)
Art. n° : 1331002

Harnais

Etac propose une grande variété de harnais convenant à divers types de transferts. La gamme de harnais Molift RgoSling a été conçue pour être associée à une suspension à 4 points (mais fonctionne également avec une suspension à 2 points). La gamme de harnais Etac EvoSling est destinée aux suspensions à 2 points. Reportez-vous à la liste des combinaisons dans le manuel d'utilisation pour savoir quels harnais et suspensions associer. La gamme de harnais est disponible en tailles XXS à XXL, en polyester ou polyester maillé.

RgoSlings:

- RgoSling Mediumback Padded (XS-XXL)
- RgoSling Highback Padded (XS-XXL)
- RgoSling Mediumback Net (XXS-XXL)
- RgoSling Highback Net (XXS-XXL)
- RgoSling Toilet Lowback (XXS-XXL)
- RgoSling Toilet Highback (XXS-XXL)
- RgoSling Ampu Mediumback (XXS-XXL)
- RgoSling Ampu Highback (XXS-XXL)
- RgoSling Ambulating Vest (XXS-XL)
- RgoSling Comfort Highback (S-L)

Accessoires :

- RgoSling Extension Loops
- RgoSling Ambulating Vest Groin strap (XXS-XL)

Entretien

Nettoyage et désinfection

Nettoyez régulièrement. Nettoyez les surfaces avec un chiffon humide et un détergent approprié au pH neutre. N'utilisez pas de solvants ou de liquides forts car ils pourraient endommager les surfaces du lève-personne. Lorsqu'une désinfection est nécessaire, utilisez de l'alcool isopropylique. Évitez les produits de nettoyage abrasifs. Retirez les cheveux et les poils de tapis pouvant s'être coincés dans les roulettes et assurez-vous que celles-ci tournent librement. Nettoyez les contacts et la commande manuelle avec de l'alcool isopropylique pour éliminer la graisse et autres saletés. Vérifiez l'arrêt d'urgence et l'abaissement d'urgence après le nettoyage. Le lève-personne ne doit pas être exposé à de l'eau courante.



Assurez-vous de ne pas endommager ou ôter les étiquettes lors du nettoyage.

Reconditionnement

Suivez la procédure de nettoyage et de montage, réalisez l'inspection périodique et utilisez la liste de vérification post-montage pour reconditionner le lève-personne.

Recyclage

Reportez-vous aux instructions de recyclage pour savoir comment mettre le produit au rebut correctement. Celles-ci sont disponibles sur www.etac.com.

Pièces détachées

Une liste de pièces détachées est disponible sur demande.

Inspection périodique

Champ de l'inspection périodique

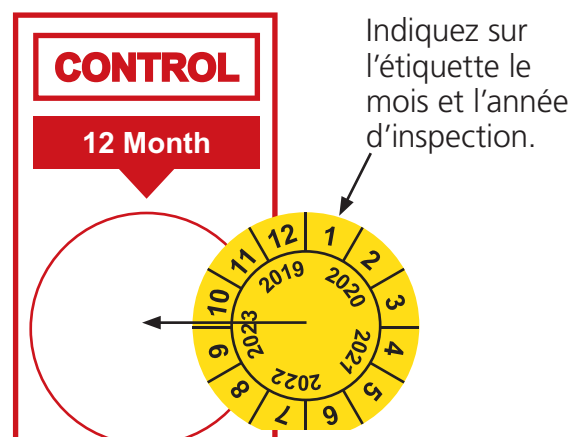
L'inspection périodique est un examen visuel (en particulier de la structure de soutien de la charge du lève-personne et du mécanisme de levage avec ses fixations, freins, commandes, dispositifs de sécurité et dispositifs de soutien des personnes) conforme au rapport d'inspection périodique du Molift Partner 255. Celui-ci est disponible sur www.etac.com.



En cas de danger pour la sécurité, le lève-personne doit être immédiatement mis hors service et marqué clairement comme tel. Il ne doit plus être utilisé tant qu'il n'a pas été réparé.

L'inspection périodique doit être réalisée une fois par an ou plus fréquemment si les exigences locales le requièrent. L'inspection doit être réalisée par du personnel d'entretien autorisé par Etac. Contactez Etac à l'adresse molift@etac.com pour la formation et l'autorisation ou la recommandation d'un partenaire d'entretien agréé. Lors d'une inspection périodique, l'inspecteur doit remplir le rapport d'inspection du Molift Partner 255. Les rapports doivent être conservés par la/les personne(s) responsable(s) de l'entretien du lève-

personne. Si l'inspection révèle des défauts et des dommages, le propriétaire doit en être informé. Une fois l'inspection périodique effectuée, l'inspecteur doit apposer sur l'étiquette de contrôle du lève-personne un autocollant spécifiant la date à laquelle l'inspection périodique a été réalisée, ainsi qu'une étiquette (avec un identifiant à 6 chiffres émanant d'Etac ou d'un distributeur de la marque) précisant le nom de la personne ayant effectué le contrôle périodique. L'étiquette de contrôle se trouve à droite du support de batterie et vous indique ainsi quand procéder à la prochaine inspection.



Dépannage

Problème	Cause/mesure possible
La colonne de levage est instable.	La colonne de levage n'est pas positionnée correctement dans le châssis ou la poignée de verrouillage n'est pas complètement enclenchée. Montez correctement la colonne et le châssis.
Le lève-personne se déplace de façon irrégulière sur une surface plane.	Les roulettes se déplacent de façon irrégulière à cause de poils de tapis et de poussières. Nettoyez les roulettes. Retirez les cheveux et saletés.
Le bras de levage ou les pieds réglables se déplace(nt) de façon incontrôlée.	Court-circuit entre la commande manuelle et le lève-personne. Nettoyez la surface de la prise de la commande manuelle avec de l'alcool pour éliminer la graisse.
	Commande manuelle défectueuse. Remplacez la commande manuelle.
	Le système électronique de la commande a échoué. Contactez un réparateur/technicien local.
Le lève-personne ne réagit pas aux boutons de la commande manuelle/Le bras de levage ou les pieds ne bougent pas.	Le bouton d'arrêt d'urgence est activé. Tournez le bouton dans le sens horaire pour réinitialiser l'arrêt d'urgence.
	La batterie est vide. Remplacez ou chargez la batterie.
	Le système électronique du lève-personne est en surchauffe. Attendez qu'il refroidisse.
	Le lève-personne est surchargé. Assurez-vous que la charge ne dépasse pas la SWL.
	La commande manuelle n'est pas branchée correctement. Branchez la commande manuelle correctement. La commande manuelle, la prise ou le cordon peuvent être cassés et nécessiter un remplacement.
	Il n'y a pas de contact entre le châssis et la colonne. La colonne n'est pas montée correctement dans le châssis. Montez correctement la colonne et le châssis.
	Système électronique de la commande défectueux. Contactez un réparateur/technicien local.
La batterie ne se charge pas	Batterie défectueuse. Vérifiez les témoins sur le chargeur lors du chargement. Essayez une autre batterie.
	Chargeur de batterie défectueux. Vérifiez les témoins sur le chargeur lors du chargement. Essayez un autre chargeur.

Manual en español

Importante

Este manual de usuario contiene instrucciones de seguridad importantes e información relacionada con el uso de la grúa y sus accesorios.

En este manual, por «usuario» se entiende la persona que es elevada.

El «asistente» es la persona que opera la grúa.



Advertencia:

Este símbolo indica que se trata de información importante sobre seguridad. Siga atentamente estas instrucciones.



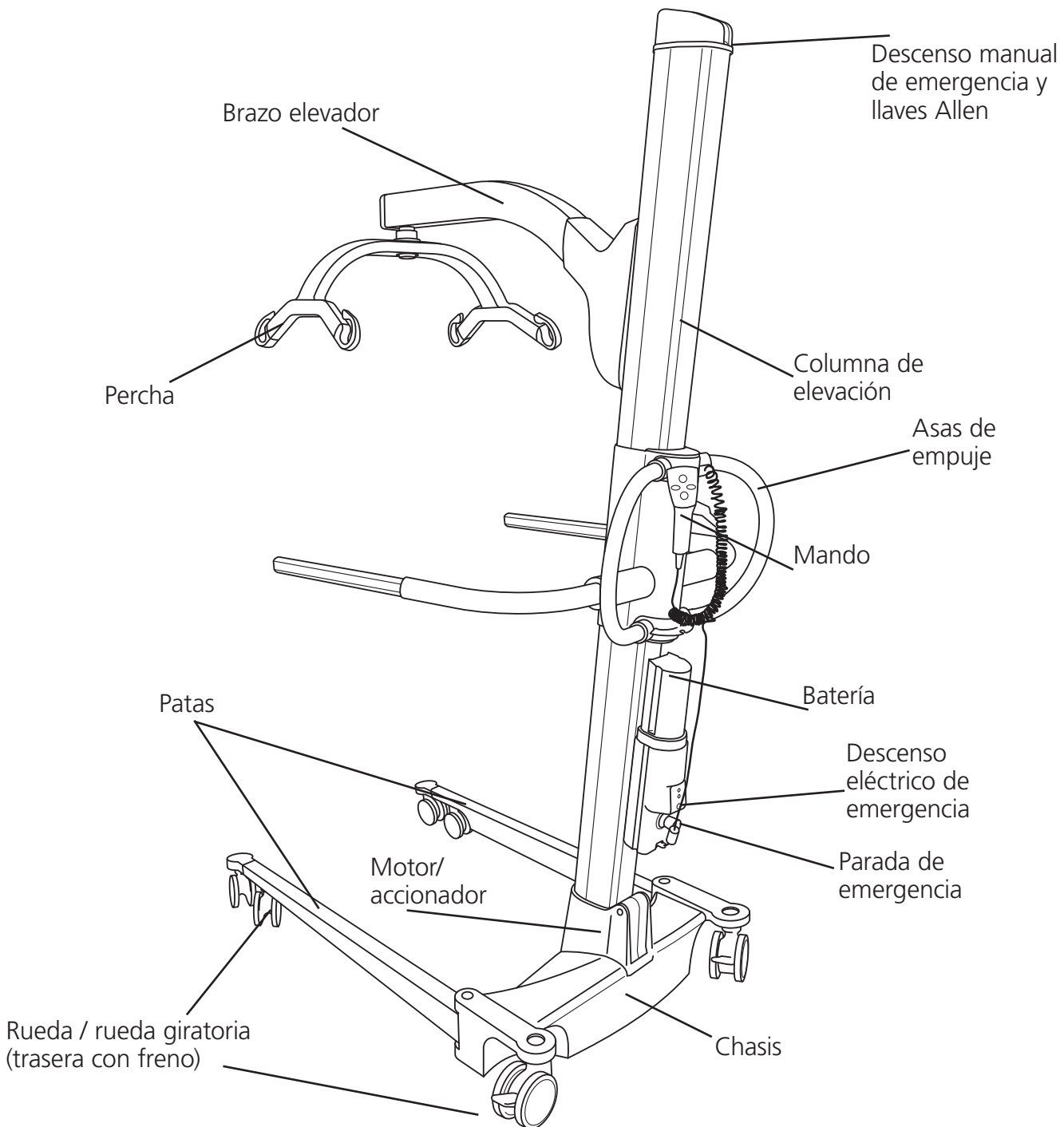
¡Lea el manual de usuario antes de su uso!

Es importante entender completamente el contenido del manual de usuario antes de utilizar el equipo.

Visite www.etac.com para descargar la documentación y asegurarse de que posee la versión más reciente.

Molift Partner 255

Componentes de la grúa:




Acerca de Molift Partner 255

Molift Partner 255 ofrece una solución ideal de elevación en situaciones de gran complejidad en áreas de cuidados agudos e intensivos de hospitales y centros de asistencia. Con un excelente alcance de elevación, 37-179 cm (14,5-70,4 in), Molift Partner 255 facilita la elevación desde el suelo y desde superficies altas. La columna vertical recta, junto con la percha fija, proporciona una estabilidad excelente y mantiene al usuario a una

distancia adecuada de la columna. Con un peso total de 42,5 kg (94 lb), Molift Partner 255 es una de las grúas más ligeras de su clase. Gracias al diseño de construcción y a la solución de ruedas excelentes, resulta muy fácil de maniobrar con una carga de trabajo segura de 255 kg (562 lb). Asimismo, cuenta con una batería de NiMH respetuosa con el medio ambiente.

Información general


	<p>Declaración CE</p> <p>El producto y sus accesorios relacionados, descritos en estas instrucciones de uso (IDU), cumplen con el reglamento (UE) 2017/745 del 5 de abril de 2017 como producto sanitario, clase de riesgo I.</p> <p>El producto ha sido probado y aprobado por un tercero de acuerdo con las normas ICE 60601-1, ICE 60601-1-2 y EN/ISO 10535:2006.</p> <p>Cualquier incidente grave que se produzca en relación con el dispositivo debe notificarse al fabricante y a la autoridad competente del Estado miembro en el que esté establecido el usuario y/o el paciente.</p>
---	--

Condiciones de uso

Elevar y trasladar a una persona siempre supondrá cierto riesgo, por lo que el equipo y los accesorios descritos en este manual solamente deben ser utilizados por personal formado.

Modificaciones y uso de piezas de otros fabricantes

Recomendamos usar exclusivamente componentes y recambios de Molift. Si se modifica el producto, la declaración de conformidad deja de ser válida y Etac no se hace responsable de la garantía. Etac no se hace responsable de los errores o accidentes que puedan producirse al usar componentes de otros fabricantes.



Solamente el personal certificado está autorizado a abrir la grúa o los accesorios para su mantenimiento o reparación. Hay riesgo de lesiones con las piezas giratorias y de descarga eléctrica.

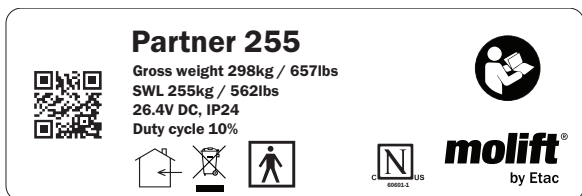
La persona que va a ser elevada no debe ser quien controle la grúa.

Aviso de garantía
 Garantía de 2 años contra defectos de mano de obra y en materiales de nuestros productos.
 Un año de garantía para las baterías.
 Consulte los términos y condiciones en www.etac.com.

Identificación del producto

Etiqueta del producto

El código de barras de las etiquetas del producto contiene el número del artículo, el número de serie y la fecha de fabricación.



-  Parte aplicada de tipo BF
-  Indicador de la batería
-  Con marcado CE
-  Símbolo del organismo de certificación
-  Consulte el manual de usuario
-  Fabricante
-  Solo para uso en interiores
-  Fecha de fabricación
-  No eliminar con residuos comunes
-  **REF** Número de catálogo
-  Descenso de emergencia
-  **SN** Número de serie
-   Indicador de mantenimiento
-  **MD** Producto sanitario

Símbolos y etiquetas de advertencia

Explicación más detallada de los símbolos utilizados en el producto:

Technical Data

Carga de trabajo segura (SWL):

255 kg (562 lbs)

Peso de la unidad:

sin batería ni percha:

38.3 kg/84,4 lbs

Chasis: 20 kg/44 lbs

Columna de elevación: 15 kg/33 lbs

Batería: 1,6 kg/3,5 lbs

Percha media de 4 puntos: 3,5 kg/7.7 lbs

Batería:

Ref.: 1341000

26.4 V NiMH 2.6 Ah

Cargador de baterías:

100-240 V AC, 50-60 Hz

0,9 A de salida

Velocidad de elevación:

42.9mm/second (1.69 inches/second)

with 75kg (165 lbs) de carga

Clase de protección:

Mando IP24

Motor IP24

Nivel máximo de potencia acústica ponderada A:

$L_{WA} = 49,4$ dB

Botón de fuerzas de maniobra:

Botones del mando: 3.4 N

Material:

Aluminio, plástico, acero

Motor:

Motor / accionador de elevación: 24 V DC

Motor de extensión de las patas: 12 V DC

Diámetro de giro:

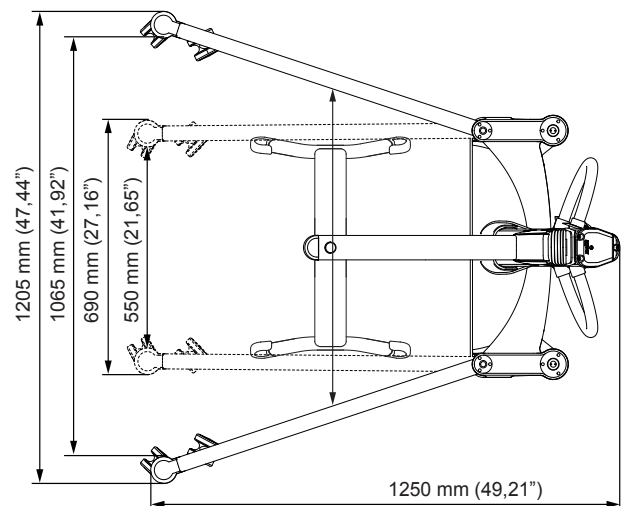
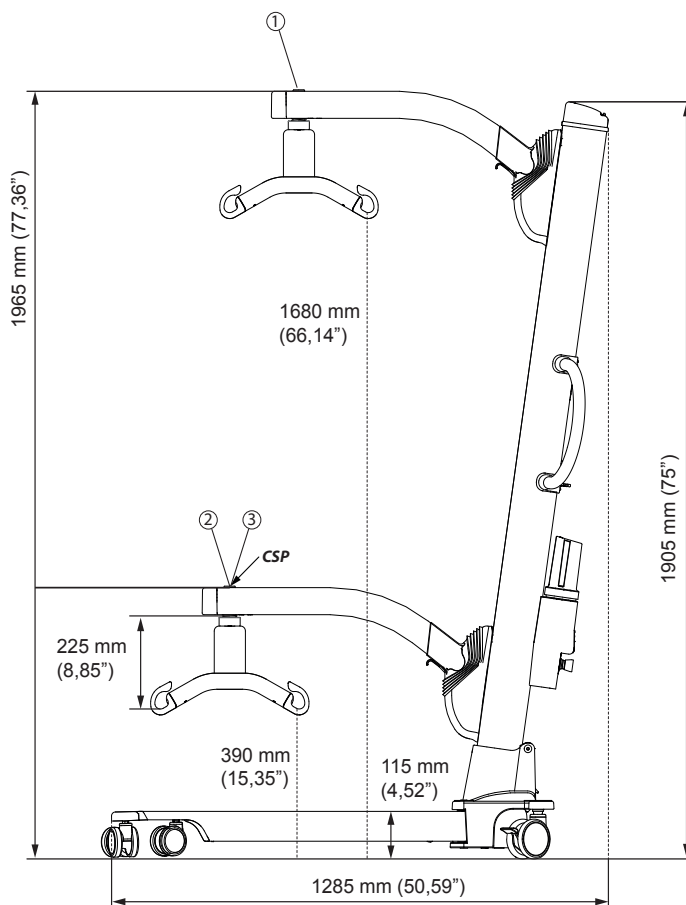
1400 mm (55.1 inches)

Número de elevaciones con batería cargada por completo:

50 elevaciones (75 kg / 165 lbs, 50 cm / 20 inches)

Vida útil prevista:

La grúa posee una vida útil prevista de 30 000 elevaciones de carga de trabajo segura (SWL) o 10 años.



① Highest position: 1965 mm (77,36")

② Max reach: 615 mm (24,2")

③ Lowest position: 615 mm (24,2")

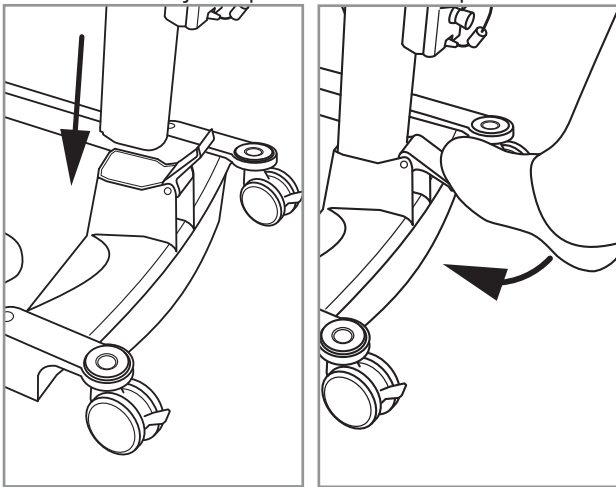
Montaje

Cargue la batería. No coloque la batería en el soporte durante el montaje.

Columna de elevación

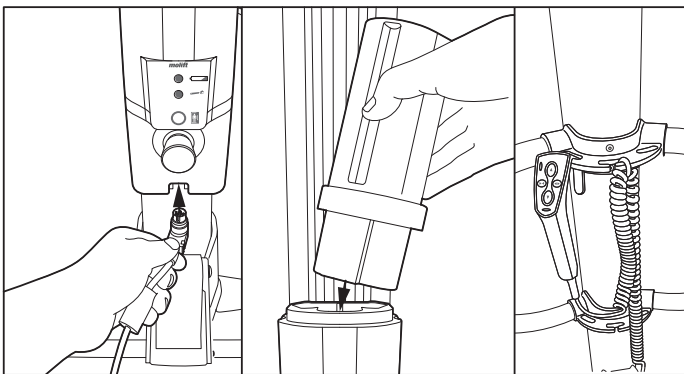
Coloque la columna de elevación en el chasis. Asegúrese de que la flecha roja de la parte inferior de la columna coincida con el borde del chasis.

Asegúrese de que el tornillo de la columna esté dentro del orificio del chasis. Esto impedirá que la columna se salga accidentalmente del chasis cuando se baje la palanca de bloqueo.



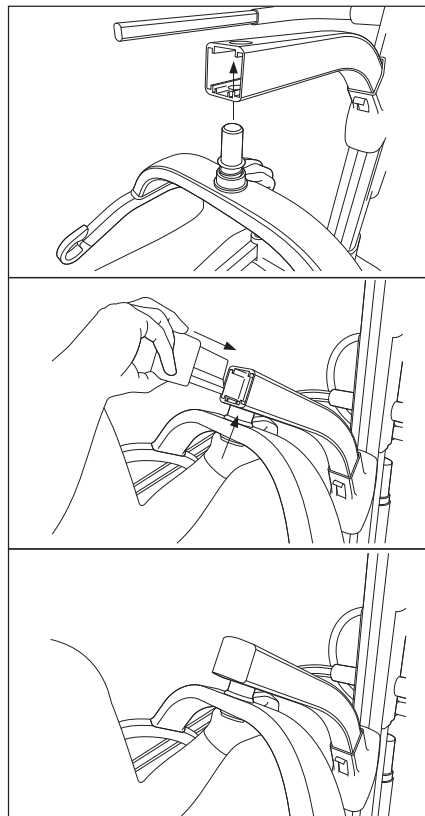
Fije la columna bajando por completo la palanca de bloqueo de la parte posterior.

Batería y mando



1. Conecte el mando a la parte inferior del soporte para la batería.
2. Inserte la batería con los terminales hacia abajo.
3. Conecte el cable del mando al asa de empuje para que no caiga al suelo al bajarlo.

Montaje de la percha



1. Encaje el perno de la percha en el brazo elevador
2. Asegúrese de que el perno está bien alineado antes de volver a colocar el tope de plástico en el brazo.
3. Asegúrese de que la percha está correctamente fijada.

Lista de comprobación después del montaje



No empiece a utilizar la grúa sin haber realizado la lista de comprobación tras su montaje.

Utilice esta lista de comprobación para verificar que la grúa esté instalada y funcione de forma correcta y segura antes de su uso.

- Asegúrese de que el brazo elevador, la columna elevadora y la percha están fijados correctamente y de que la grúa no tiene piezas sueltas.
- Asegúrese de que la batería está cargada (las luces de la batería no están encendidas).
- Compruebe que la grúa no presenta ningún daño visible ni otros fallos.
- Realice una elevación con carga (60-80 kg)

Uso de Molift Partner 255

Medidas generales de seguridad

Utilice únicamente accesorios y eslingas que se adapten al usuario, al tipo de discapacidad, al tamaño, al peso y al tipo de traslado.

Relación pausa trabajo / ciclo de trabajo.

Molift Partner 255 no debe estar en funcionamiento más de 2 minutos seguidos (con carga máxima) y debe tener pausas de un mínimo de 18 minutos. Ciclo de trabajo del 10 % (intermitencia conforme a la norma ISO-EN 10535).

Carga de trabajo segura

La grúa está marcada con Carga de trabajo segura (SWL)



Si la carga máxima (SWL) difiere entre la percha de la grúa y la unidad de soporte del cuerpo, deberá usarse siempre la menor carga máxima.



Las grúas de Molift solo deben usarse para elevar personas. Nunca utilice la grúa para elevar o desplazar objetos de ningún tipo.

Antes del uso / Comprobación diaria / Mensualmente

Inspección obligatoria diaria o antes del uso:

- Asegúrese de que la grúa no presenta daños, defectos ni deformaciones visibles.
- Asegúrese de que la conexión de la percha y todas las piezas desmontables están correctamente conectadas y aseguradas.
- Asegúrese de que el indicador de la batería no está encendido y de que la luz de mantenimiento es de color verde.
- Compruebe que la correa de la eslinga no presente daños visibles ni hilachas.
- Asegúrese de que las ruedas pueden rodar sin problemas y de que la grúa se puede maniobrar fácilmente

Inspección mensual obligatoria:

- Pruebe las funciones de elevación y asegúrese de que la grúa no emite sonidos anormales.
- Pruebe el botón de parada de emergencia y el descenso de emergencia.

Si existiesen fallos o defectos, retire la grúa y márkela como «fuera de servicio».

Mando

El mando tiene 4 botones para elevar y bajar el brazo elevador, y extender o replegar el mecanismo de extensión de las patas. El mando tiene una luz indicadora que se iluminará cuando el nivel de batería sea bajo y se deba cargar la grúa.

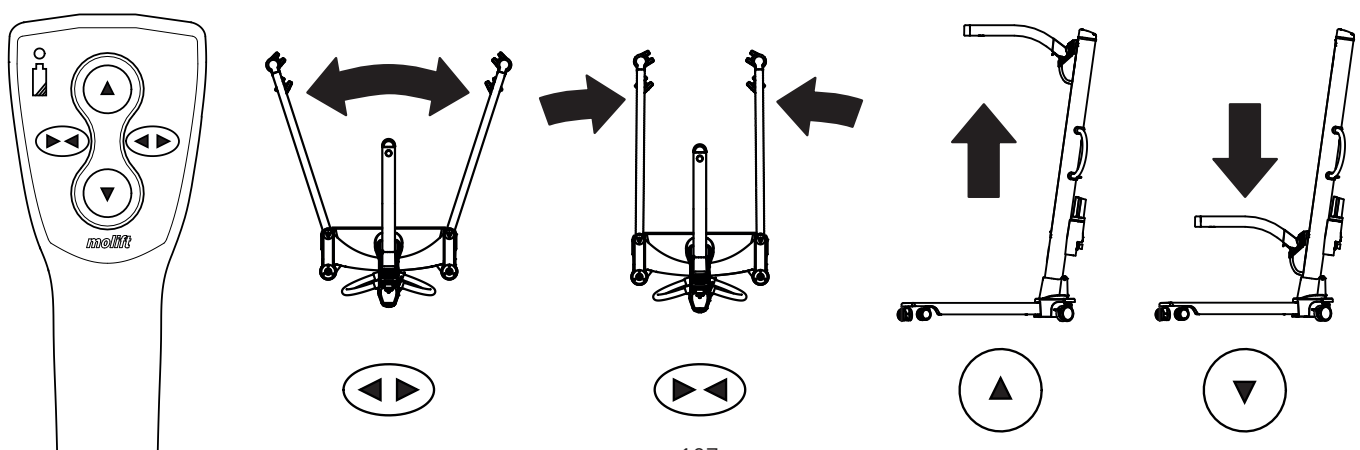
Mando de 4 botones
Ref.: no. 2018004

Brazo elevador, subir/bajar

Nota: La grúa es más inestable en la posición superior.

Patas, replegar/extender

Nota: Las patas extendidas ofrecen más estabilidad y un mejor acceso a la silla o al inodoro.



Dispositivos de seguridad

La grúa Molift Partner 255 está equipada con varios dispositivos de seguridad, diseñados para prevenir daños o lesiones a los equipos y al personal en caso de un uso incorrecto.

La grúa tiene un sensor de sobrecarga que evita que funcione si la carga supera la SWL.

El brazo elevador está sujeto con bisagras para evitar que el brazo y la percha aplasten al usuario. El accionador no producirá fuerzas al moverlo hacia abajo.

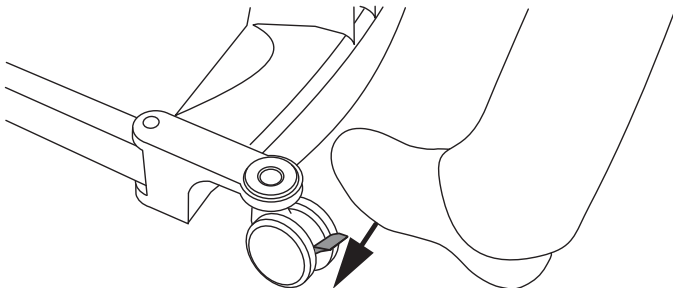
El sistema electrónico se desconecta si se sobrecalienta. Espere hasta que la grúa se haya enfriado antes de volver a utilizarla.

Asas de empuje

Utilice las asas de empuje para desplazar la grúa.

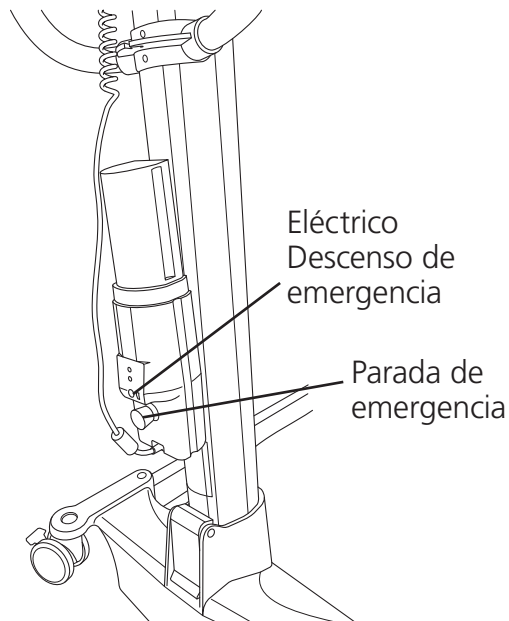
La grúa solo debe utilizarse para desplazarse en distancias cortas. No sustituye a la silla de ruedas ni similares.

Frenos



Las ruedas traseras y las pivotantes disponen de frenos. Pise la palanca para bloquearlos. Levántela para desbloquearlos.

Parada de emergencia /descenso de emergencia



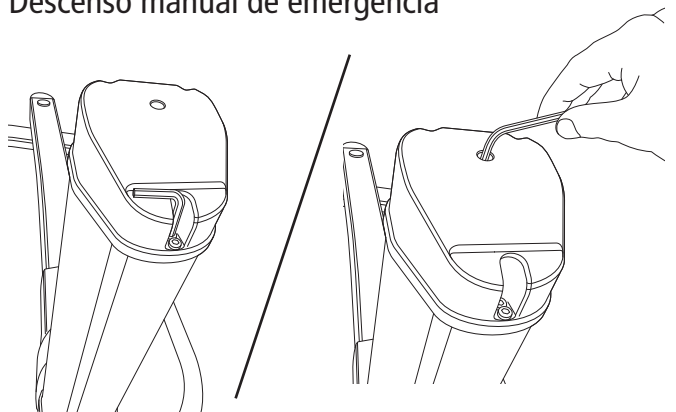
Parada de emergencia

El interruptor de parada de emergencia apaga el equipo cuando se pulsa. Para reiniciarlo, gírelo en el sentido de las agujas del reloj (se podrá utilizar cuando se pueda observar el anillo verde).

Descenso eléctrico de emergencia

Mantenga pulsado el botón del descenso eléctrico de emergencia para bajar el brazo elevador. La función de descenso de emergencia no funciona cuando la parada de emergencia se encuentra activada.

Descenso manual de emergencia



En la parte superior de la columna hay una llave Allen para el descenso manual. Introduzca la llave Allen en el orificio de la parte superior de la columna y gírela hasta que el paciente descienda. No olvide retirar la llave Allen del orificio inmediatamente después del descenso.

Póngase en contacto con el servicio técnico de Molift si desconoce el motivo del fallo que provoca un descenso de emergencia o si este se debe a componentes o piezas defectuosos.

Componentes electrónicos

Condiciones de transporte y funcionamiento

Transporte y almacenamiento

Para un almacenamiento durante largos periodos, se recomienda dejar activado el botón de parada de emergencia (hacia dentro). La grúa puede almacenarse y transportarse a temperaturas situadas entre -25 y -70 °C.

Funcionamiento

La grúa está diseñada para utilizarse en habitaciones con temperaturas estándares (de 5 a 40 °C).

Presión del aire: de 70 a 106 kPa.

Humedad relativa: 15-93 %

Tras el almacenamiento o transporte a otras temperaturas, deje la grúa en una habitación con una temperatura adecuada hasta que alcance una temperatura de funcionamiento segura.



Los equipos médicos eléctricos requieren precauciones especiales respecto a la compatibilidad electromagnética (CEM). Los equipos de radiocomunicaciones móviles o portátiles pueden afectar a los equipos médicos eléctricos, y deben mantenerse a una distancia mínima de 25 cm (10 in) de los componentes electrónicos de la grúa.

Molift Partner 255 está equipada con una batería de 26,4 V 2,6 Ah NiMH. La batería tiene una vida prevista de aprox. 500 ciclos de carga.



Recargue la batería al recibirla y, después, cada seis meses para evitar que se estropee.



Las baterías usadas deben desecharse como residuos especiales de acuerdo con las normativas y leyes locales. No eliminar con residuos comunes



Las baterías deben cargarse y descargarse completamente un par de veces antes de que rindan plenamente. Siga también este procedimiento si la grúa no se ha usado durante un periodo de tiempo largo (4 semanas o más).

Indicador de mantenimiento y batería (LED)

La grúa posee dos indicadores en el soporte de la batería.

	Indicador de mantenimiento
	Indicador de la batería

El sistema eléctrico tiene una función de ahorro de energía que apagará el sistema eléctrico tras diez minutos sin actividad.

Todas las luces se apagarán.

El sistema se activa al pulsar uno de los botones de funcionamiento.

Indicador de la batería (LED)

El indicador de la batería (LED) se encenderá y emitirá un sonido cuando sea necesario cargar la batería. En ese caso, la grúa tendrá la energía suficiente para realizar un ciclo de elevación completo con carga máxima. Cuando la batería está extremadamente descargada, solamente será posible bajar el brazo de elevación.

Indicador de mantenimiento

Los componentes electrónicos registran las cargas elevadas y el número de elevaciones. Tras un determinado periodo en uso, el indicador muestra un mensaje que solicita tareas de mantenimiento.

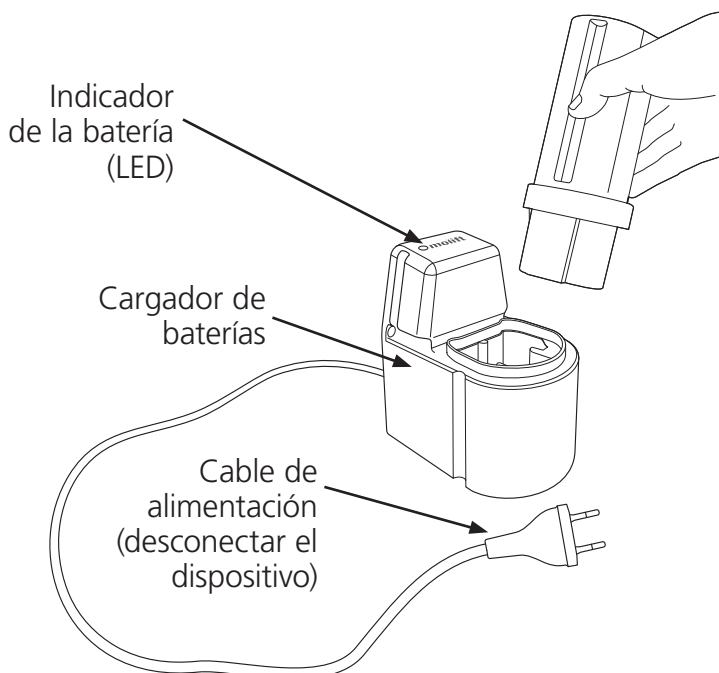
<i>Indicador de mantenimiento</i>	<i>Modo</i>
Sin luz	Ahorro de energía (stand by)
Verde	Lista para su uso
Amarillo	Solicitar mantenimiento
Rojo	Realizar mantenimiento
Rojo + sonido	Realizar mantenimiento inmediatamente

Alcance del mantenimiento

Las tareas de mantenimiento incluyen la sustitución del motor de elevación y la inspección / sustitución de las piezas desgastadas. Deben ser realizadas por personal autorizado.

Es necesario realizar el mantenimiento cuando el indicador de mantenimiento sea de color rojo (10 000 elevaciones estimadas en clase 4 de peso (SWL)).

Carga



Cargador de baterías

El cargador puede utilizarse como cargador de mesa o montarse en una pared vertical cerca de una toma eléctrica, a un mínimo de 120 cm de distancia del suelo. El cargador debe utilizarse fuera del entorno del paciente. El cargador debe situarse o instalarse de forma que sea fácil desconectar el cable de alimentación. Tenga cuidado de no dañar el cable. El cargador se puede conectar a la toma eléctrica en cualquier momento.

Cargador de baterías 12-24V

N.º de ref. 1340100

PowerPac 26,4 V NiMH

N.º de ref. 1341000

Indicador del cargador

Descripción del indicador de la batería (LED):

<i>LED</i>	<i>Modo</i>
Amarillo	Lista para su uso, no hay una batería conectada
Amarillo	Inicialización
Rojo	Carga rápida
Verde/Amarillo	Carga completa
Verde	Carga lenta
Rojo/Verde	Error

Traslado

Planifique la elevación con antelación para garantizar que discurra de la forma más segura y fluida posible. Recuerde trabajar de manera ergonómica. Evalúe los riesgos y tome nota de ellos. El asistente es responsable de la seguridad del usuario.

Molift Partner 255 puede usarse en perchas con cuatro o dos puntos de anclaje para diferentes tipos de traslados: sentado, recostado o en posición erguida.

Uso de las eslingas

Es importante que la eslinga se haya probado con el usuario y para la situación de elevación prevista.



Lea el manual de usuario de la eslinga antes de su uso.



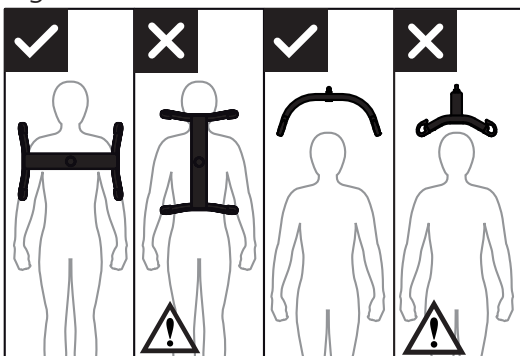
No utilice eslingas dañadas o muy desgastadas.

Eslingas de otros fabricantes

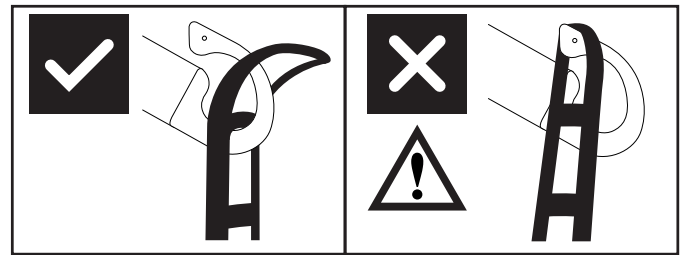
Recomendamos usar únicamente nuestras eslingas Molift. Etac no se hace responsable de los errores o accidentes que puedan producirse al usar eslingas de otros fabricantes.

Elevación y descenso

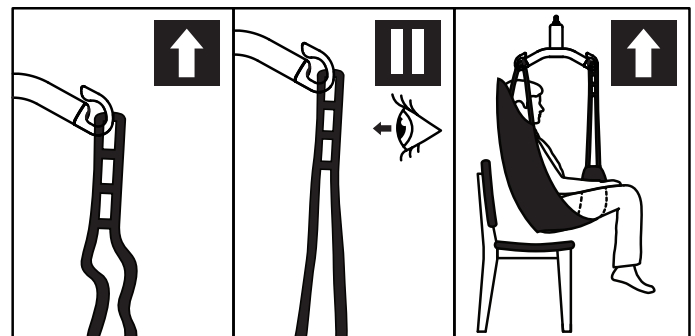
Durante el traslado de un usuario, colóquese a su lado. Compruebe que las extremidades no obstruyan el asiento, la cama, etc. Mantenga contacto visual con el usuario para que se sienta seguro.



La percha de cuatro puntos debe colocarse siempre cruzada sobre el usuario para evitar que este se salga accidentalmente de la eslinga.



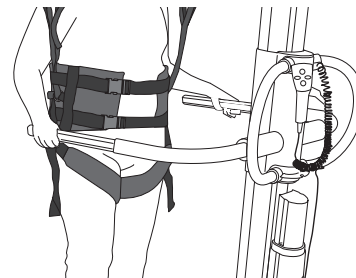
El diseño de gancho de la percha evita que la eslinga se desate involuntariamente cuando esté correctamente montada.



1. Compruebe que la eslinga esté bien colocada alrededor del usuario y que los lazos de las correas estén correctamente colocados en los ganchos de la percha.
2. Estire las correas de la eslinga sin elevar al usuario. Asegúrese de que los cuatro lazos de la eslinga están correctamente fijados para que el usuario no se pueda deslizar ni caer.
3. Eleve al usuario y realice el traslado.

Brazos de apoyo (opcionales)

La grúa se puede usar para entrenamiento de marcha con brazos de apoyo.



La grúa se puede entregar con brazos de apoyo, o la columna de elevación completa con brazos de apoyo se puede entregar como accesorio que sustituya la columna de elevación original.

Columna con brazos de apoyo
N.º de ref. 1511002

Traslado



Intente colocar al usuario lo más bajo posible (preferiblemente con los pies apoyados en el chasis) al trasladar la grúa con un usuario suspendido. De esta manera, el centro de gravedad es bajo y se reduce el riesgo de inestabilidad.



No levante nunca al usuario más de lo necesario para realizar la elevación. Recuerde que las ruedas de una grúa móvil NO deben estar bloqueadas.



Nunca deje a un usuario sin supervisión cuando lo esté elevando.

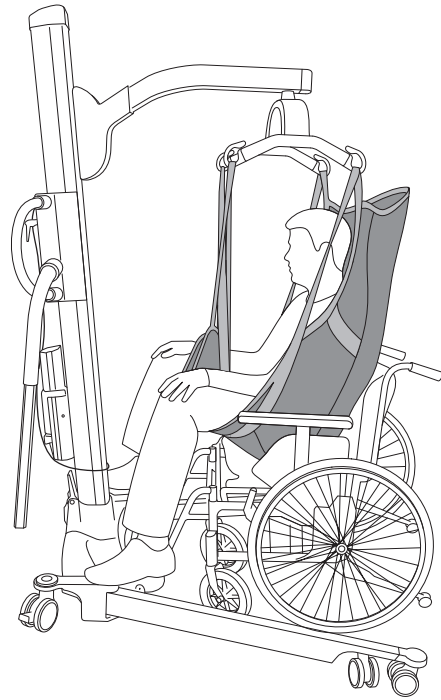
Tenga cuidado cuando esté en movimiento, ya que el usuario suspendido podría balancearse al realizar giros, paradas y arranques. Tenga cuidado al maniobrar cerca de muebles para evitar que el usuario suspendido choque contra ellos.



No debe utilizar la grúa para elevar o mover a usuarios en superficies inclinadas.

Evite alfombras muy gruesas, umbrales elevados, superficies irregulares u otros obstáculos capaces de bloquear las ruedas. La grúa podría desestabilizarse si se fuerza a remontar dichos obstáculos, lo que aumenta el riesgo de volcado.

Descenso del usuario hasta una posición sentada

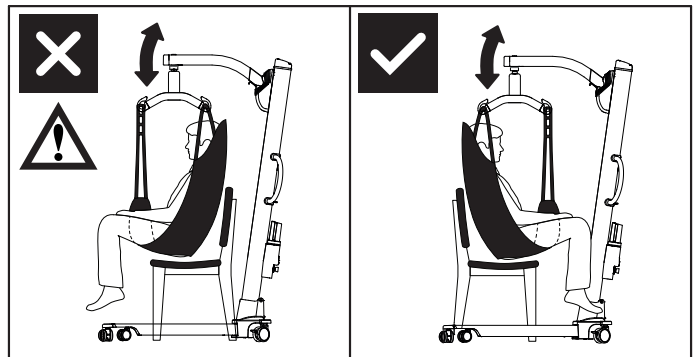


Cuando se traslada el usuario a la posición de sentado, pueden utilizarse las siguientes técnicas cuando se descienda al usuario hacia la parte más posterior del asiento posible:

- A Coloque al usuario ayudándose del asa de empuje.
- B Presione suavemente sobre las rodillas del usuario.
- C Inclíne el asiento hacia atrás.



Cuando eleve/baje al usuario desde/hacia una silla, este debe estar mirando hacia la grúa.



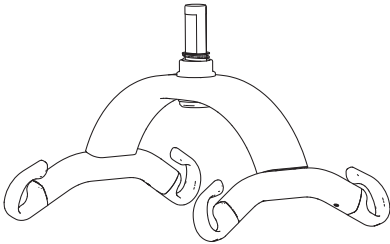
Accesorios

Equipo y accesorios opcionales recomendados para Molift Partner 255.

Perchas

Molift Partner 255 puede utilizarse con perchas de cuatro u ocho puntos de anclaje.

Percha de aluminio



4 puntos de anclaje, mediana, aluminio, 450 mm
N.º de ref.: 1330060

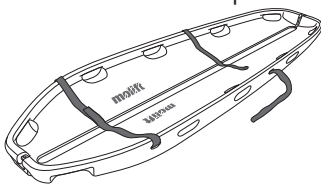
4 puntos de anclaje, grande, aluminio, 550 mm
N.º de ref.: 1330061

4 puntos de anclaje, XL, aluminio, 650 mm
N.º de ref.: 1330062

8 puntos de anclaje, grande, aluminio, 1430 mm
N.º de ref.: 2140002

Camilla

La camilla Molift puede utilizarse con todas las perchas de cuatro puntos de anclaje para Molift.



Camilla espátula compatible con resonancias magnéticas (SWL 300 kg)
N.º de ref.: 2150108

Báscula

La báscula Molift es un equipo aprobado de clase III. Se puede utilizar para calcular el IMC (índice de masa corporal).

Set de Báscula Molift (sin percha)
N.º de ref.: 1331002

Eslingas

Etac ofrece una amplia gama de eslingas para diferentes tipos de traslados. La eslinga Molift RgoSling se ha desarrollado para combinarse con una percha de 4 puntos, aunque también funciona con una percha de 2 puntos. La serie EvoSling de Etac se ha desarrollado para combinarse con una percha de 2 puntos. Consulte la lista de combinación en el manual de usuario de la eslinga para ver la combinación correcta de eslinga y percha. La serie de eslingas está disponible en los tamaños XXS – XXL, en poliéster y malla de poliéster.

RgoSlings:

RgoSling Mediumback Padded (XS-XXL)

RgoSling Highback Padded (XS-XXL)

RgoSling Mediumback Net (XXS-XXL)

RgoSling Highback Net (XXS-XXL)

RgoSling Toilet Lowback (XXS-XXL)

RgoSling Toilet Highback (XXS-XXL)

RgoSling Amputee Mediumback (XXS-XXL)

RgoSling Amputee Highback (XXS-XXL)

RgoSling Ambulating Vest (XXS-XL)

RgoSling Comfort Highback (S-L)

Accesorios:

RgoSling Extension Loops

RgoSling Ambulating Vest Groin strap (XXS-XL)

Mantenimiento

Limpieza y desinfección

Limpie la grúa con regularidad. Limpie las superficies con un paño húmedo utilizando un detergente con pH neutro adecuado. No utilice disolventes ni líquidos fuertes, pues podría dañar las superficies de la grúa. Cuando sea necesario desinfectar, utilice alcohol isopropílico. Evite utilizar productos de limpieza abrasivos. Retire las posibles pelusas y pelos de las ruedas y asegúrese de que giran sin problemas. Limpie los contactos y el mando con alcohol isopropílico para eliminar los restos de grasa y suciedad. Compruebe la parada y el descenso de emergencia después de la limpieza. No debe exponer la grúa a agua corriente.



Asegúrese de que las etiquetas no se hayan dañado ni eliminado con la limpieza.

Ajustes

Tras la limpieza y el procedimiento de montaje, realice una inspección periódica y utilice la lista de comprobación para reajustar la grúa.

Reciclaje

Consulte las «Instrucciones de reciclaje» para saber cómo desechar correctamente el producto. Están disponibles en www.etac.com.

Piezas de recambio

Hay una lista de piezas de recambio disponibles bajo demanda.

Inspección periódica

Alcance de la inspección periódica

La inspección periódica consiste en un examen visual (especialmente de la estructura de carga de la grúa y el mecanismo de elevación con accesorios, frenos, controles, dispositivos de seguridad y dispositivos de soporte de personas), de acuerdo con el Informe de Inspección Periódica del Molift Partner 255. Están disponibles en www.etac.com.



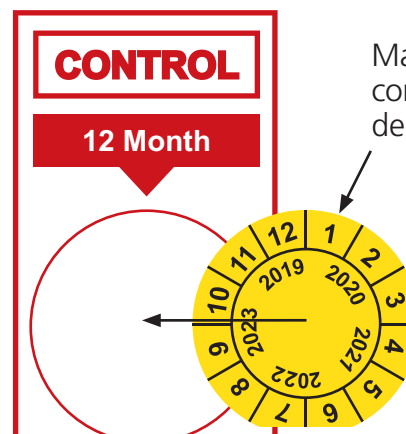
En caso de peligro para la seguridad, la grúa deberá dejarse inmediatamente fuera de servicio y señalarse claramente «fuera de servicio», y no deberá usarse hasta que esté reparada.

responsables del mantenimiento de la grúa deberán conservar los informes. Si la inspección revela defectos y daños, estos deberán notificarse al propietario

Una vez que haya finalizado la inspección periódica, el inspector debe marcar la grúa con una etiqueta adhesiva en la etiqueta de control que indique la fecha de la inspección periódica y otra etiqueta (con un identificador de seis dígitos de Etac o del distribuidor) que identifique a la persona que la ha realizado. La etiqueta de control se encuentra en la parte derecha del soporte de la batería e indica la fecha en la que debe realizarse la siguiente inspección.

La inspección periódica debe realizarse una vez al año o con más frecuencia si así lo requieren las normativas locales. La inspección debe realizarla personal de mantenimiento autorizado por Etac. Póngase en contacto con Etac a través de molift@etac.com para obtener formación y autorización o recomendaciones sobre un socio de mantenimiento aprobado.

Al llevar a cabo la inspección periódica, el inspector deberá cumplimentar el informe de inspección del Molift Partner 255. La persona o personas



Marque la etiqueta con el mes y el año de la inspección

Solución de problemas

Problema	Causas / acciones posibles
La columna de elevación cojea	La columna de elevación no está bien colocada en el chasis o la palanca de bloqueo no está completamente bloqueada. Monte la columna y el chasis correctamente.
La grúa se mueve de forma irregular en una superficie plana	Las ruedas giratorias se mueven irregularmente a causa de las pelusas y el polvo. Limpie las ruedas giratorias. Elimine el pelo y la suciedad.
El brazo elevador o las patas ajustables se mueven de forma descontrolada.	Hay un cortocircuito entre el mando y la grúa. Limpie la superficie del enchufe del mando con alcohol para eliminar la grasa.
	Mando defectuoso. Sustituya el mando.
	Hay un error en el sistema electrónico de control. Póngase en contacto con el representante local para realizar el mantenimiento.
La grúa no responde al mando / el brazo elevador o las patas no se mueven.	El botón de parada de emergencia está activado. Para reiniciar la parada de emergencia, gire el botón en el sentido de las agujas del reloj.
	La batería está descargada. Cambie o cargue la batería.
	Los componentes electrónicos de la grúa se han sobrecalentado. Espere a que se enfríen.
	La grúa tiene sobrecarga. Asegúrese de que la carga no supere la SWL.
	El mando no está enchufado correctamente. Enchufe el mando correctamente. El mando, el enchufe o el cable pueden estar rotos y debe sustituirlos.
	No hay conexión en el contacto entre el chasis y la columna. La columna no está bien montada en el chasis. Monte la columna y el chasis correctamente.
	Sistema electrónico de control defectuoso. Póngase en contacto con el representante local para realizar el mantenimiento.
La batería no se carga	Batería defectuosa. Compruebe los indicadores del cargador mientras realiza la carga. Pruebe otra batería.
	Cargador de baterías defectuoso. Compruebe los indicadores del cargador mientras realiza la carga. Pruebe otro cargador.

Nederlandse handleiding

Belangrijk

In deze handleiding staan belangrijke veiligheidsinstructies en informatie over het gebruik van de tillift en de accessoires.

In deze handleiding is de gebruiker de persoon die wordt getild.

De assistent is de persoon die de tillift bedient.



Waarschuwing!

Dit symbool geeft belangrijke informatie over de veiligheid aan. Volg deze instructies zorgvuldig.



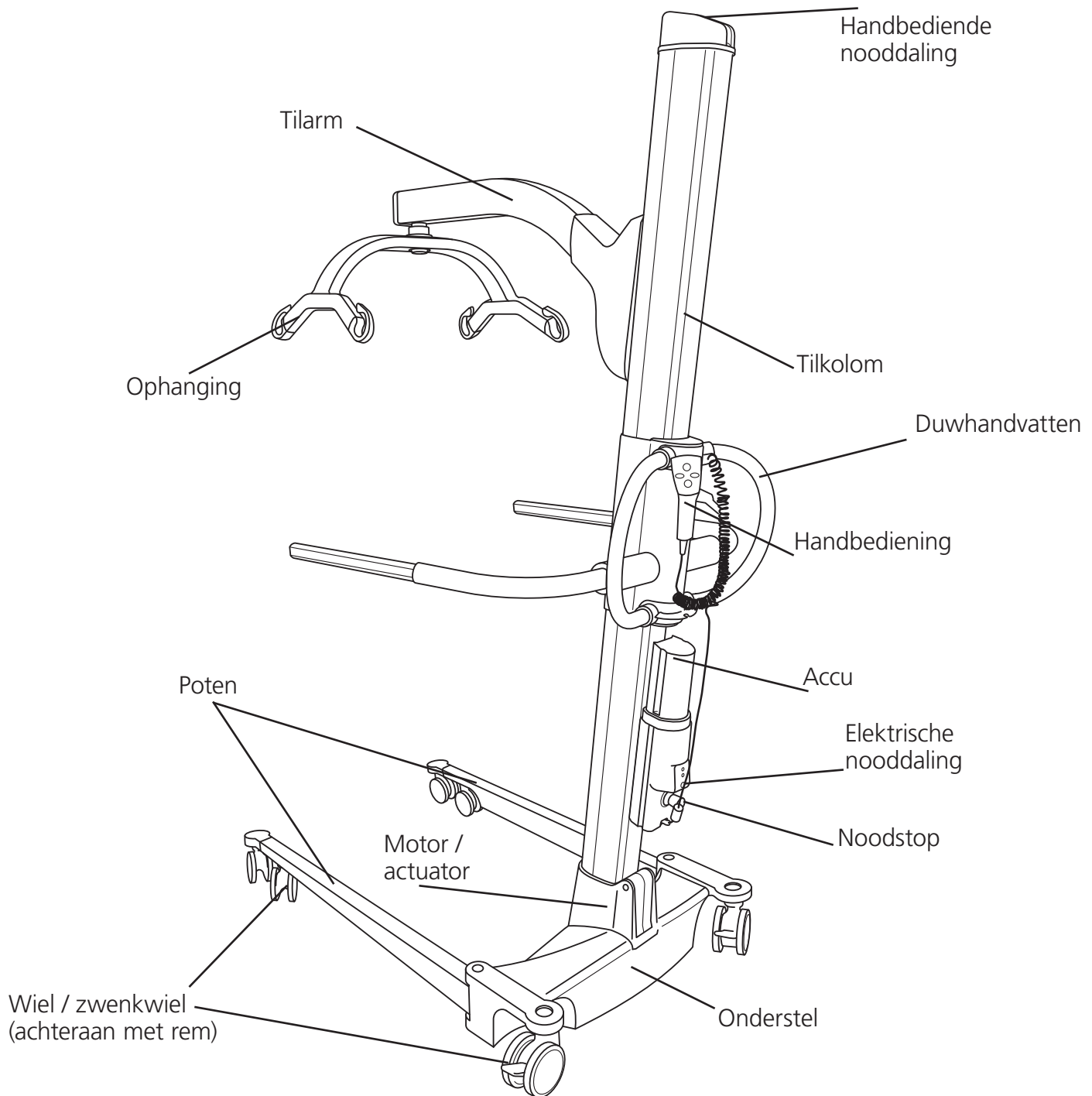
Lees de gebruikershandleiding vóór gebruik!

Het is belangrijk dat u de inhoud van de gebruikershandleiding volledig begrijpt voordat u de apparatuur gebruikt.

Op www.etac.com kunt u de laatste versie van de documentatie downloaden.

Molift Partner 255

Onderdelen van de tillift:



Over de Molift Partner 255

De Molift Partner 255 is een ideale oplossing voor tillen in zeer complexe situaties op afdelingen voor acute en kritische zorg in zowel ziekenhuizen als zorginstellingen. Met een uitstekend tilbereik van 37–179 cm (14,5–70,4") maakt de Molift Partner 255 eenvoudig tillen mogelijk, zowel vanaf de grond als vanaf hoge oppervlakken. De combinatie van de rechte verticale staander en de vaste ophanging biedt uitstekende stabiliteit en zorgt

ervoor dat de gebruiker op de juiste afstand van de staander blijft. Met een totaalgewicht van 42,5 kg (94 lbs) is de Molift Partner 255 de lichtste in zijn klasse. Dankzij het uitstekende ontwerp van de constructie en de wieloplossing is hij makkelijk te manoeuvreren, en dat met een veilige werklading van 255 kg (562 lbs). Uitgerust met een milieuvriendelijke NiMH-accu.

Algemeen


	<p>CE-verklaring</p> <p>Het product en de bijbehorende accessoires die in deze gebruiksaanwijzing worden beschreven, voldoen aan Verordening (EU) 2017/745 van 5 april 2017 – als medisch hulpmiddel, risicoklasse I.</p> <p>Het product is getest en goedgekeurd door een externe instantie overeenkomstig de normen IEC 60601-1, IEC 60601-1-2 en EN/ISO 10535:2006.</p> <p>Elk ernstig incident dat zich voordoet in verband met het hulpmiddel moet worden gemeld aan de fabrikant en de bevoegde autoriteit van de lidstaat waar de gebruiker en/of patiënt is gevestigd.</p>
---	---

Gebruiksvoorwaarden

Het tillen en verplaatsen van een persoon houdt altijd een bepaald risico in. Daarom mag alleen goed opgeleid personeel de apparatuur en de accessoires uit deze gebruikershandleiding gebruiken.

Aanpassingen en gebruik van onderdelen van andere fabrikanten.

We raden u aan om uitsluitend Molift-onderdelen en -reserveonderdelen te gebruiken. Als er aanpassingen aan het product worden uitgevoerd, vervalt de conformiteitsverklaring en kunnen er geen garantieclaims bij Etac worden ingediend. Etac is niet aansprakelijk voor fouten of ongevallen door het gebruik van onderdelen van andere fabrikanten.



Alleen gecertificeerd personeel mag de tillift of de accessoires openen om onderhoud of reparaties uit te voeren. Er is kans op letsel door draaiende onderdelen en elektrische schok.

De tillift is niet bedoeld voor gebruik door de persoon die wordt getild.


Garantieverklaring

Wij bieden op onze producten een garantie van twee jaar tegen materiaal- en fabricagefouten. Eén jaar garantie op de batterijen. Ga naar www.etac.com voor de voorwaarden.


Productidentificatie




Productlabel


In de streepjescode van het product staan het artikelnummer, het serienummer en de productiedatum.





Partner 255
Gross weight 298kg / 657lbs
SWL 255kg / 562lbs
26.4V DC, IP24
Duty cycle 10%








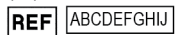
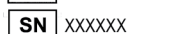








(01)XXXXXXXXXXXXXXXX(11)XXXXXX(21)XXXXXX





YYY-MM-DD



Etac A/S
Parallelvej 3
DK-8751 Gedved
www.etac.com

Waarschuingslabels en symbolen

Uitgebreide uitleg van de symbolen die op het product worden gebruikt:

- | | | | |
|---|--|---|----------------------------------|
|  | Onderdeel van type BF |  | Acculampje |
|  | CE-markering |  | Markering certificatie-instantie |
|  | Zie de gebruikershandleiding |  | Fabrikant |
|  | Alleen voor gebruik binnenshuis |  | Productiedatum |
|  | Niet weggooien met het huishoudelijk afval |  | Catalogusnummer |
|  | Nooddaling |  | Serienummer |
|  | Service lampje |  | Medisch hulpmiddel |

Technische gegevens

Veilige werkbelasting (SWL):

255 kg (562 lbs)

Gewicht van eenheid:

Excl. accu en ophanging:

38.3 kg/84,4 lbs

Onderstel: 20 kg/44 lbs

Tilkolom: 15 kg/33 lbs

Accu: 1,6 kg/3,5 lbs

Medium 4-puntsophanging: 3,5 kg/7.7 lbs

Accu:

Art: 1341000

26.4 V NiMH 2.6 Ah

Acculader:

100-240 V AC, 50-60 Hz

0,9 A output

Tilsnelheid:

42.9mm/second (1.69 inches/seconde)
met een belasting van 75kg (165 lbs) load

Beschermingsklasse:

Handbediening IP24

Liftmotor IP24

Maximaal A-gewogen geluidsvermogensniveau:

$L_{WA} = 49,4$ dB

Kracht op knop

Knoppen op de handbediening: 3.4 N

Materiaal:

Aluminium, plastic, staal

Motor:

Tilmotor/actuator: 24 V DC

Motor spreidmechanisme: 12 V DC

Draaicirkel:

1400 mm (55.1 inches)

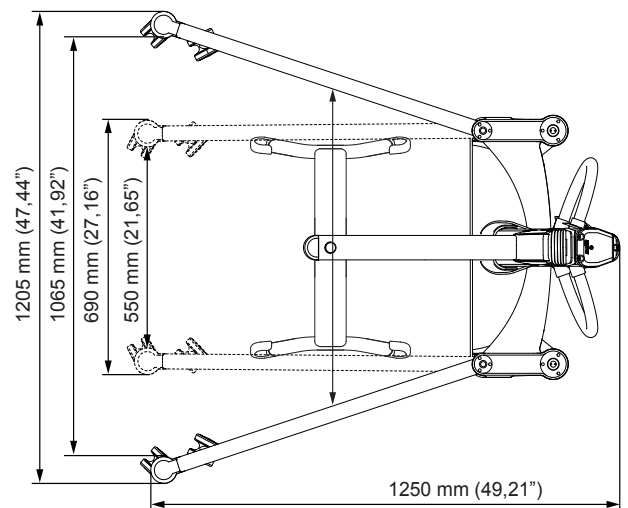
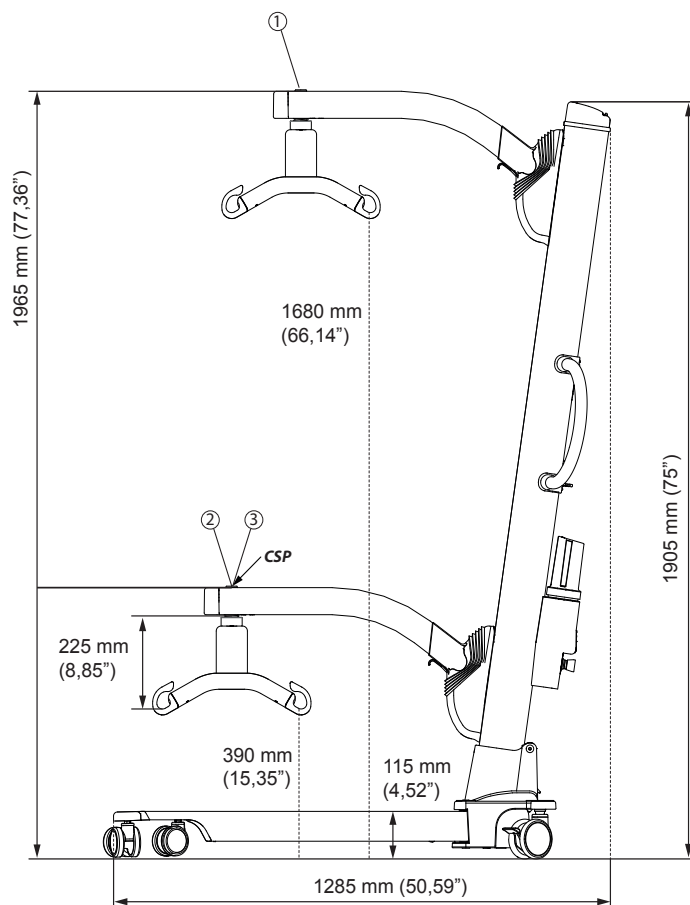
Aantal tilsessies met volgeladen accu:

50 tilsessies (75 kg / 165 lbs,

50 cm / 20 inch)

Verwachte levensduur:

De tillift heeft een verwachte levensduur van 30.000 VWB-sessies of 10 jaar.



① Highest position: 1965 mm (77,36")

② Max reach: 615 mm (24,2")

③ Lowest position: 615 mm (24,2")

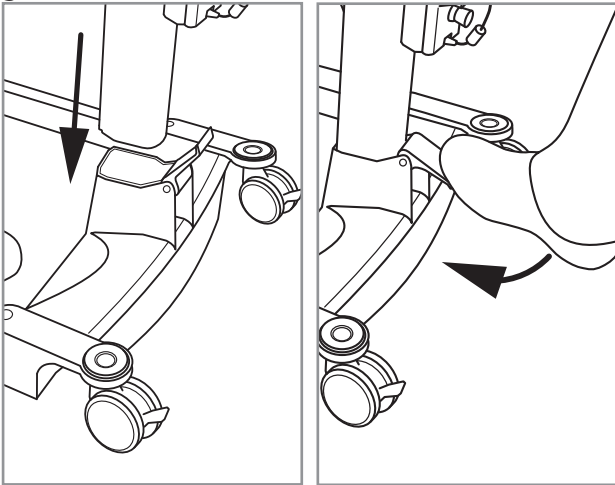
Montage

Laad de accu op. De accu mag tijdens het monteren niet in de accuhouder zijn geplaatst!

Tilkolom

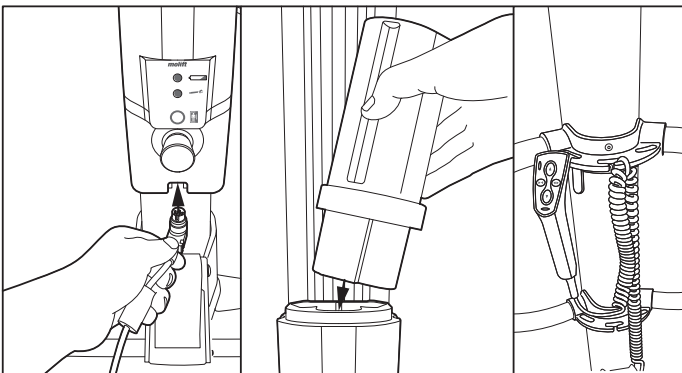
Plaats de tilkolom in het onderstel. Zorg ervoor dat de rode pijl in het onderste deel van de kolom aansluit op de rand van het onderstel.

Zorg dat de schroef op de kolom zich in het gat in het onderstel bevindt. Zo voorkomt u dat de kolom onbedoeld uit het onderstel wordt getild terwijl de vergrendelhandgreep naar beneden is geduwd.



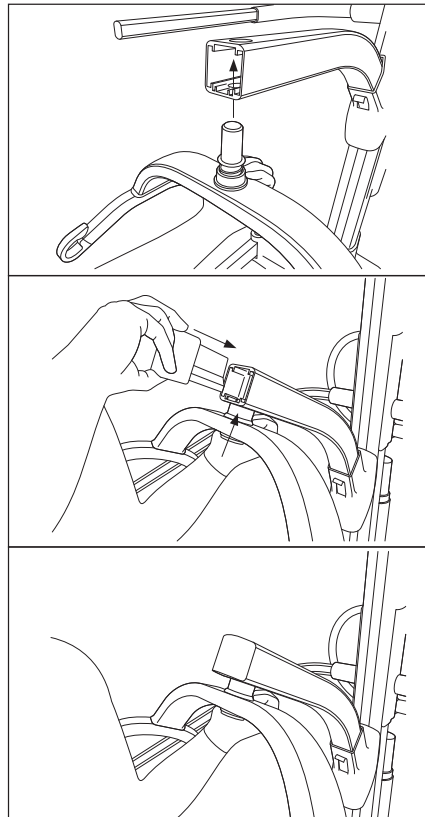
Zet de kolom vast door de vergrendelhandgreep aan de achterkant helemaal naar beneden te duwen.

Accu en handbediening



1. Sluit de handbediening aan op de onderkant van de accuhouder.
2. Plaats de accu met de klemmen omlaag.
3. Sluit de kabel van de handbediening aan op de beugel van het duwhandvat zodat deze niet op de grond valt als u deze laat vallen.

De ophanging monteren



1. Duw de bout van de ophanging omhoog en door de tilarm.
2. Zorg ervoor dat de bout goed is uitgelijnd voordat u de plastic huls weer op de arm plaatst.
3. Zorg dat de ophanging goed vastzit.

Controlelijst na montage



Voer na de montage altijd eerst een volledige controle aan de hand van de controlelijst uit voordat u de tillift gebruikt.

Gebruik deze controlelijst om te controleren of de tillift goed is geïnstalleerd en veilig werkt, voordat u hem gebruikt.

- Zorg ervoor dat de tilarm, tilkolom en ophanging goed zijn bevestigd en dat geen enkel onderdeel op de tillift loszit.
- Zorg ervoor dat de accu is opgeladen (er branden geen acculampjes).
- Controleer de tillift op zichtbare schade of andere defecten.
- Gebruik de tillift om een belasting op te tillen (60-80 kg).

Zo gebruikt u de Molift Partner 255

Algemene veiligheidsmaatregelen

Gebruik alleen accessoires en slings die aan de gebruiker, zijn handicap, lengte en gewicht, en het soort transfer zijn aangepast.

Verhouding werking/onderbreking / werkcyclus.

De Molift Partner 255 mag niet langer dan 2 minuten na elkaar worden gebruikt (met een maximale belasting) en mag na elke 2 minuten minimaal 18 minuten niet worden gebruikt. Werkcyclus 10 %. (Onderbreking volgens de norm ISO-EN 10535)

Veilige werkbelasting (SWL)

Op de tillift is de veilige werkbelasting (SWL) aangegeven



Als de maximale belasting (SWL) van de ophanging van de tillift en de ondersteuningseenheid voor het lichaam niet hetzelfde is, dan moet altijd de laagste maximale belasting worden aangehouden



Tilliften van Molift mogen uitsluitend worden gebruikt voor het optillen van personen. Gebruik de tillift nooit om voorwerpen op te tillen of te verplaatsen.

Vóór gebruik / Dagelijkse controle / Maandelijks

Controles die dagelijks of vóór elk gebruik moeten worden uitgevoerd:

- Controleer of de tillift geen zichtbare schade, defecten of vervormingen vertoont.
- Zorg ervoor dat de aansluiting van de ophanging en alle afneembare onderdelen goed zijn aangesloten en bevestigd.
- Controleer of het controlelampje voor de accu niet brandt en of het servicelampje groen is.
- Controleer of de band van de sling geen duidelijk zichtbare schade of rafels vertoont.
- Zorg ervoor dat de wielen vrij rollen en dat de tillift eenvoudig te manoeuvreren is

Controle die elke maand moet worden uitgevoerd:

- Test de functies van de tillift en controleer of de tillift geen abnormale geluiden maakt.
 - Test de noodstopknop en de nooddaalfunctie
- Als er fouten of gebreken zijn, moet de tillift buiten bedrijf gesteld worden en worden voorzien van een label "buiten werking".

Handbediening

De handbediening heeft 4 knoppen om de tilarm omhoog en omlaag te zetten en het spreidmechanisme naar binnen en naar buiten te bewegen. De handbediening is voorzien van een controlelampje dat gaat branden als de accu bijna leeg is en de tillift moet worden opgeladen

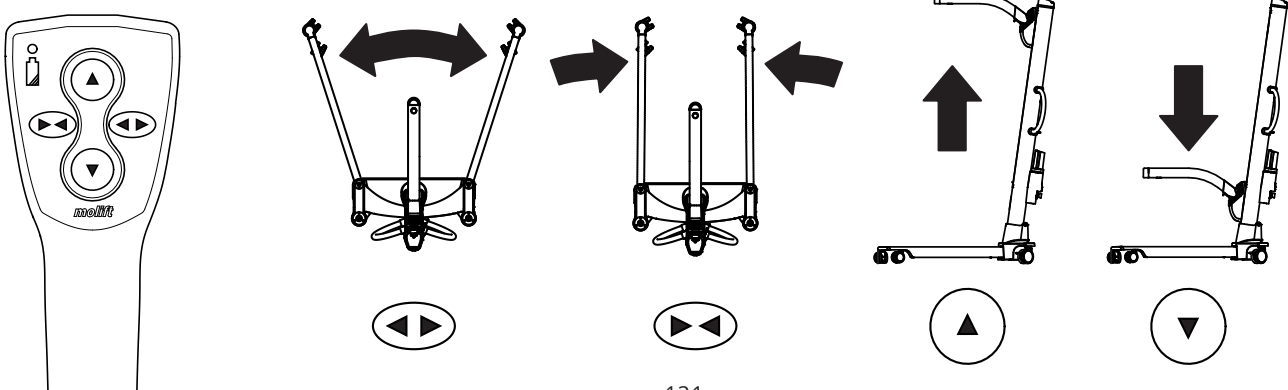
Handbediening met 4 knoppen
Art. no. 2018004

Tilarm - omhoog / omlaag

NB! De tillift is in de hoogste stand het meest instabiel.

Poten - naar binnen / naar buiten

NB! Gespreide poten geven meer stabiliteit en bieden een betere toegang tot stoel of toilet.



Veiligheidsvoorzieningen

De Molift Partner 255 is voorzien van diverse veiligheidsvoorzieningen, die zijn bedoeld om schade aan uitrusting of letsel bij personeel bij onjuist gebruik te voorkomen.

De tillift heeft een overbelastingssensor die voorkomt dat de tillift wordt bediend als de belasting de SWL overschrijdt.

De tilarm is gescharnierd om te voorkomen dat de gebruiker klem komt te zitten tussen de arm en de ophanging. De actuator geeft geen vermogen bij een beweging naar omlaag.

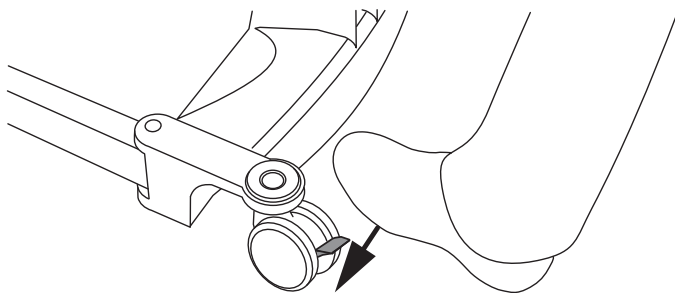
De elektronica wordt bij oververhitting uitgeschakeld. Wacht totdat de tillift is afgekoeld voordat u deze opnieuw gebruikt.

Duwhandvatten

Gebruik de duwhandvatten om de tillift te verplaatsen.

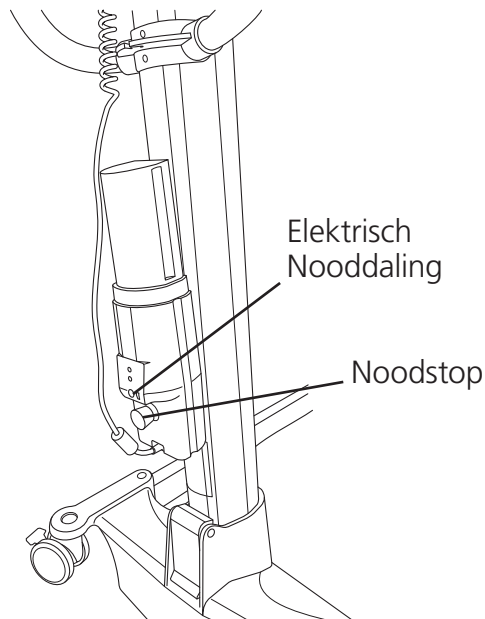
De tillift mag alleen voor verplaatsingen over korte afstanden worden gebruikt. Het is geen vervanging voor een rolstoel of iets dergelijks.

Remmen



De achterwielen/zwenkwielen zijn voorzien van remmen. Duw met uw voet op de hendel om de remmen te vergrendelen. Klap deze omhoog om te ontgrendelen.

Noodstop / Nooddaling



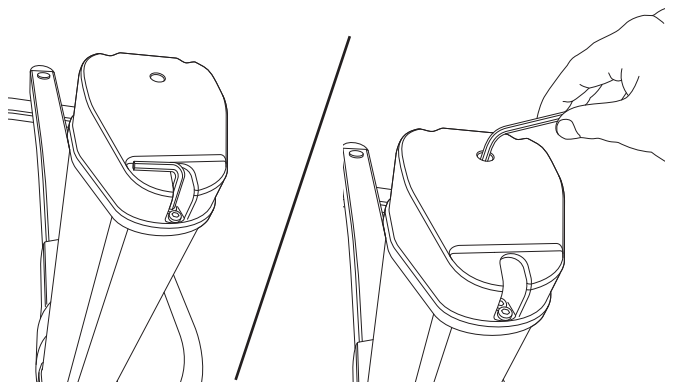
Noodstop

Wanneer u de noodstop indrukt, wordt de stroomtoevoer uitgeschakeld. Draai de knop naar rechts om te resetten (de lift kan weer worden bediend wanneer de groene ring zichtbaar is).

Elektrische nooddaling

Houd de knop voor elektrische nooddaling ingedrukt om de tilarm te laten zakken. De elektrische nooddaling werkt niet wanneer de noodstop geactiveerd is.

Handbediende nooddaling



Aan de bovenzijde van de kolom bevindt zich een inbusbout waarmee u de patiënt handmatig kunt laten dalen. Druk een inbussleutel in de inbusbout op de kolom en draai totdat de patiënt is gedaald.

Zorg dat u de inbussleutel direct na de daling uit de bout verwijdert.

Neem contact op met uw Molift servicepartner als niet duidelijk is door welk probleem een nooddaling nodig was of als het te wijten is aan niet-werkende onderdelen.

Elektronica

Omstandigheden bij transport en gebruik

Transport en opslag

Bij langdurige opslag raden wij u aan om de noodstopknop te activeren (indrukken). De tillift kan worden opgeslagen en vervoerd bij temperaturen tussen -25 en 70 °C.

Gebruik

De tillift is bedoeld voor gebruik bij een normale kamertemperatuur (+5 tot +40 °C).

Luchtdruk: 70 - 106 kPa

Relatieve vochtigheid: 15 - 93 %

Na opslag of transport bij andere temperaturen moet u de tillift in een ruimte met een geschikte temperatuur plaatsen, totdat de tillift een veilige werktemperatuur bereikt.



Bij elektrische medische apparatuur moeten speciale maatregelen met betrekking tot de elektromagnetische compatibiliteit (EMC) worden genomen. Draagbare of mobiele radiocommunicatieapparatuur kan elektrische medische apparatuur storen en moet op minimaal 25 cm van de elektronica van de tillift worden gehouden.

Accu

De Molift Partner 255 is voorzien van een NiMH-accu van 26,4 V, 2,6 Ah. De accu heeft een verwachte levensduur van ongeveer 500 laadcycli.



Laad de accu direct na ontvangst op en vervolgens om de zes maanden, om storingen te voorkomen.





Gebruikte accu's moeten als speciaal afval en volgens de plaatselijke regels en voorschriften worden weggegooid. Niet weggooid met het huishoudelijk afval



Accu's moeten een paar keer volledig opladen en ontladen voordat ze hun maximale capaciteit bereiken. Volg deze procedure ook als de tillift langere tijd niet is gebruikt (4 weken of langer).

Accu- en onderhoudslampje (LED)

De tillift heeft twee controlelampjes op de accuhouder.

	Onderhoudslampje
	Acculampje

Het elektrische systeem heeft een energiebesparende functie die het elektrische systeem uitschakelt nadat de voorziening tien minuten niet is gebruikt. Alle lampjes gaan uit. Het systeem wordt geactiveerd als er op een van de bedieningsknoppen wordt gedrukt.

Acculampje (LED)

Het acculampje (led) gaat branden en er klinkt een geluidssignaal als de accu bijna leeg is en de tillift moet worden opgeladen. Als dit gebeurt, heeft de tillift nog voldoende vermogen om een volledige tilcyclus met maximale belasting uit te voeren. Als de accu bijna helemaal leeg is, kan de tilarm alleen nog zakken.

Onderhoudslampje

Het aantal uitgevoerde tilsessies wordt door de elektronica van de tillift berekend en opgeslagen. Na een bepaalde periode wordt met een signaal aangegeven dat de tillift een onderhoudsbeurt nodig heeft.

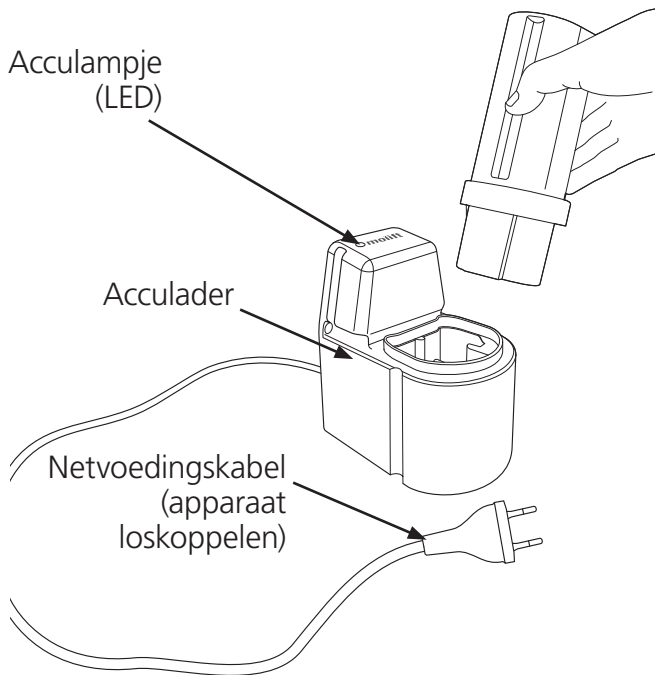
Onderhoudslampje	Stand
Geen lampje	Energiebesparende stand (stand-by)
Groen	Klaar voor gebruik
Geel	Onderhoud regelen
Rood	Onderhoud uitvoeren
Rood + geluidssignaal	Onmiddellijk onderhoud uitvoeren

Onderhoudswerkzaamheden

Onder onderhoud valt het vervangen van de tilmotor en het controleren en vervangen van versleten onderdelen. Dit moet door geautoriseerd personeel worden uitgevoerd.

Als het rode onderhoudslampje brandt (berekend op 10.000 keer tillen in gewichtsklasse 4 (SWL)),

Opladen



Acculader

De acculader kan als tafellader worden gebruikt of op een verticaal muuroppervlak vlak bij een stopcontact worden gemonteerd, op minimaal 120 cm vanaf de vloer. De lader moet buiten de patiëntomgeving worden gebruikt. De lader moet zodanig worden geplaatst of geïnstalleerd dat de stekker van de netvoedingskabel eenvoudig uit het stopcontact kan worden verwijderd. Zorg ervoor dat u de kabel niet beschadigt. De lader mag continu op het stopcontact zijn aangesloten.

Battery Charger 12-24V

Art. no. 1340100

Battery PowerPac 26,4 V NiMH

Art. no. 1341000

Laadlampje

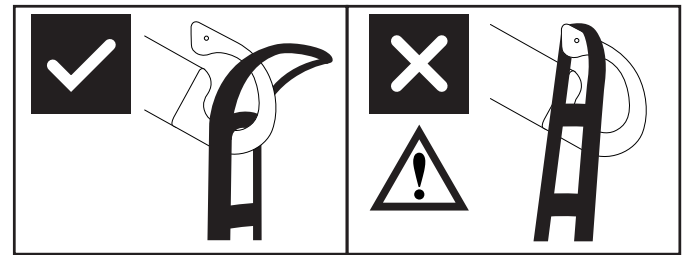
Beschrijving van het acculampje (LED):

LED	Stand
Geel	Klaar voor gebruik, geen accu aangesloten
Geel	Initialiseren
Rood	Snel opladen
Groen/Geel	Bijladen
Groen	Druppelladen
Rood/Groen	Fout

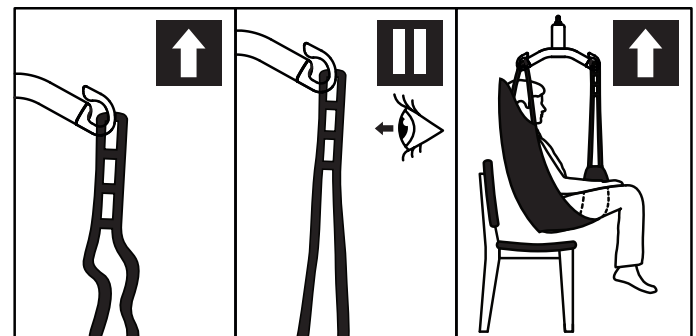
Overdracht

Plan de tilhandeling vooraf zodat deze zo veilig en probleemloos mogelijk verloopt. Vergeet niet om ergonomisch te werken. Evalueer de risico's en maak notities. De assistent is verantwoordelijk voor de veiligheid van de gebruiker.

De Molift Partner 255 kan met een 4-puntsophanging of een 8-puntsophanging voor verschillende soorten verplaatsingen worden gebruikt; voor zittend, liggend of ambulante gebruik.



Door het ontwerp van de ophangingshaak kan de sling niet per ongeluk loskomen, mits deze juist is gemonteerd.



1. Controleer of de gebruiker goed in de sling is geplaatst en of de bandlussen op de juiste wijze aan de ophanghaken zijn bevestigd.
2. Haal omhoog tot de lussen strak staan, maar til de gebruiker nog niet op. Zorg ervoor dat alle vier lussen van de sling stevig zijn bevestigd zodat de gebruiker niet wegglijdt of valt.
3. Til de gebruiker op en verplaats hem.

Slings gebruiken

Het is belangrijk dat de sling eerst wordt getest met de individuele gebruiker en voor de bedoelde tilsituatie.



Lees de gebruikershandleiding van de sling voordat u deze gebruikt.



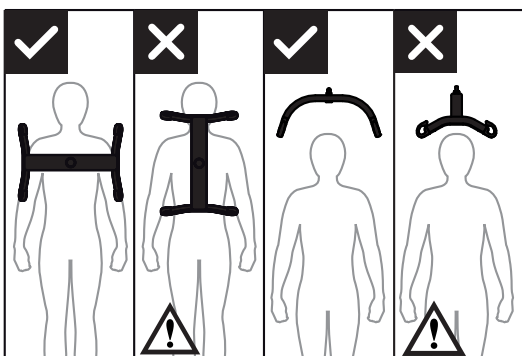
Gebruik geen beschadigde of zeer versleten slings.

Slings van een andere fabrikant

We raden u aan om alleen Molift-slings te gebruiken. Etac is niet aansprakelijk voor fouten of ongevallen door het gebruik van slings van andere fabrikanten.

Tillen en laten zakken

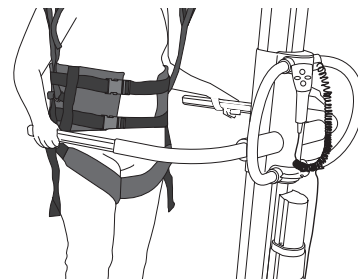
Als de gebruiker in de sling wordt verplaatst, moet u naast de persoon staan die u gaat optillen. Zorg ervoor dat armen en benen de stoel, het bed enz. niet kunnen belemmeren. Houd oogcontact met de gebruiker zodat hij of zij zich veilig voelt.



De 4-puntsophanging moet altijd tegenover de gebruiker worden geplaatst zodat de gebruiker niet ongewild uit de sling kan glijden.

Steunarmen (optioneel)

De tillift kan worden gebruikt voor looptraining met steunarmen.



De tillift kan worden geleverd met steunarmen, of er kan een volledige tilkolom met steunarmen worden geleverd als accessoire ter vervanging van de originele tilkolom.

Kolom met steunarmen
Art. no. 1511002

Transfer



Probeer de gebruiker zo laag mogelijk te plaatsen (waar mogelijk met de voeten op het onderstel) wanneer de tillift met een opgetilde gebruiker wordt verplaatst. Op deze manier ligt het zwaartepunt laag en is er minder kans op instabiliteit.



Til de gebruiker nooit hoger dan noodzakelijk om de transfer goed te kunnen uitvoeren. Vergeet niet dat de wielen op een mobiele lift NIET vergrendeld moeten zijn.



Laat de gebruiker tijdens het tillen nooit alleen achter.

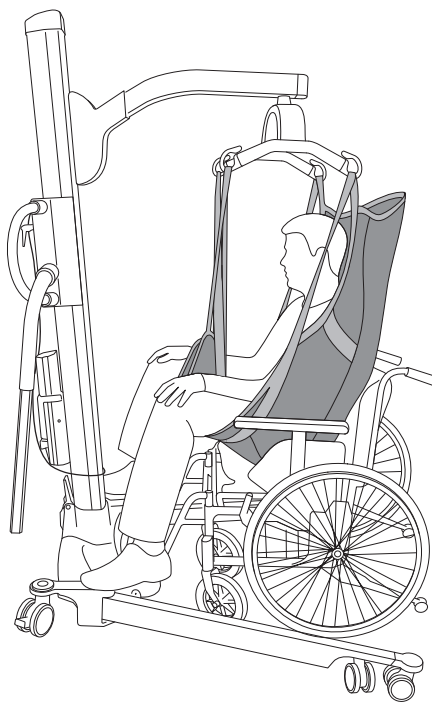
Wees voorzichtig tijdens het verplaatsen. De opgetilde gebruiker kan bij het draaien, stoppen en starten bewegen. Wees voorzichtig wanneer u vlak bij meubilair manoeuvreert om te voorkomen dat de opgetilde gebruiker tegen deze voorwerpen botst.



De tillift mag niet worden gebruikt om gebruikers over hellende vlakken op te tillen of te verplaatsen.

Vermijd dik tapijt, hoge drempels, ongelijkmatige oppervlakken of andere obstakels die de zwenkwielen kunnen blokkeren. De lift kan onstabiel worden als hij over dergelijke obstakels beweegt, waarbij de kans op omslaan toeneemt.

In zitpositie laten zakken

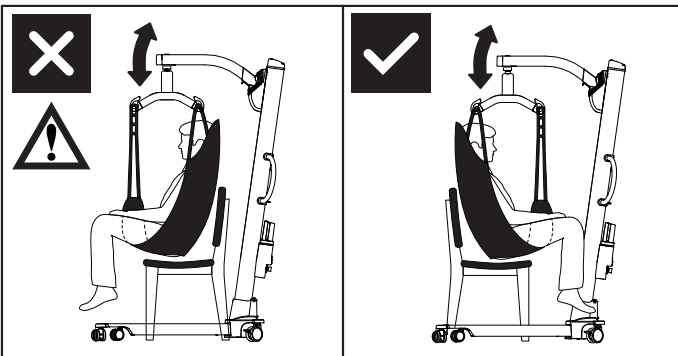


Wanneer u de gebruiker naar een zittende positie verplaatst, kunt u hem/haar met de volgende technieken zo ver mogelijk naar achteren plaatsen:

- A Plaats de gebruiker met behulp van het duwhandvat
- B Duw voorzichtig tegen de knieën van de gebruiker
- C Kantel de zitting naar achteren



De gebruiker moet met zijn of haar gezicht naar de tilvoorziening zitten bij het optillen uit of plaatsen in een stoel.



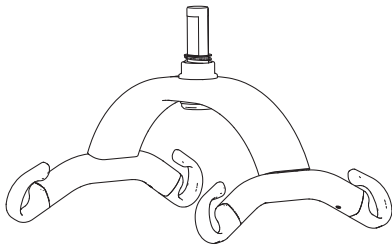
Accessories

Aanbevolen optionele uitrusting en accessoires voor de Molift Partner 255.

Ophangingen

De Molift Partner 255 is te gebruiken met een 4-puntsophanging of een 8-puntsophanging.

Aluminium ophanging



4-punts Medium, aluminium, 450 mm,
Art. no.: 1330060

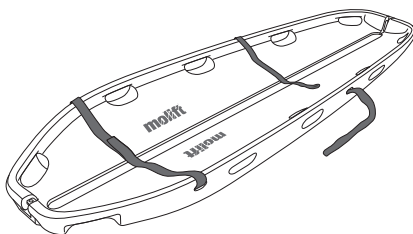
4-punts Large, aluminium, 550 mm,
Art. no.: 1330061

4-punts XL, aluminium, 650 mm,
Art. no.: 1330062

8-punts Large, aluminium, 1430 mm,
Art. no.: 2140002

Stretcher

De Molift Stretcher kan met alle 4-puntsophangingen voor de Molift worden gebruikt.



Scoop stretcher MRI compatible (SWL 300 kg)
Art. no.: 2150108

Weegschaal

De Molift-weegschaal is goedgekeurd voor Klasse III. De weegschaal kan ook de BMI (Body Mass Index) berekenen.

Molift Weegschaal (zonder ophanging)
Art. no.: 1331002

Slings

Etac heeft een breed assortiment slings voor verschillende transfertypes.

De serie Molift RgoSling-slings is ontwikkeld voor gebruik met een 4-puntsophanging, maar kan ook met een 2-puntsophanging worden gebruikt. De serie Etac EvoSling is ontwikkeld voor gebruik met een 2-puntsophanging.

Zie de combinatielijst in de gebruikershandleiding van de sling voor de juiste combinatie van sling en ophanging. De serie slings is verkrijgbaar in de maten XXS – XXL, in polyester en polyesteremesh.

RgoSlings:

RgoSling Mediumback Padded (XS-XXL)
RgoSling Highback Padded (XS-XXL)
RgoSling Mediumback Net (XXS-XXL)
RgoSling Highback Net (XXS-XXL)
RgoSling Toilet Lowback (XXS-XXL)
RgoSling Toilet Highback (XXS-XXL)
RgoSling Ampu Mediumback (XXS-XXL)
RgoSling Ampu Highback (XXS-XXL)
RgoSling Ambulating Vest (XXS-XL)
RgoSling Comfort Highback (S-L)

Accessoires:

RgoSling Extension Loops
RgoSling Ambulating Vest Groin strap (XXS-XL)

Onderhoud

Reiniging en desinfectie

Reinig het product regelmatig. Reinig oppervlakken met een vochtige doek en een geschikt pH-neutraal reinigingsmiddel. Gebruik geen oplosmiddelen of agressieve middelen omdat de oppervlakken van de tillift hierdoor beschadigd kunnen raken. Voor desinfectie wanneer nodig: gebruik isopropylalcohol. Gebruik geen agressieve reinigingsmiddelen. Verwijder haren en pluis uit de zwenkwielen en controleer of ze vrij kunnen draaien. Maak het contact en de handbediening schoon en vetvrij met isopropylalcohol. Controleer de noodstop en nooddaalfunctie na het reinigen. De tillift mag niet worden gereinigd met stromend water.



Zorg ervoor dat u tijdens het reinigen geen labels beschadigt of verwijdert.

Gebruiksklaar maken

Volg de procedure voor reiniging en montage, voer de periodieke inspectie uit en gebruik de controlelijst na montage om de tillift weer gebruiksklaar te maken.

Recyclage

Zie "Instructies voor recyclage" voor het correct afvoeren van het product. Ga hiervoor naar www.etac.com.

Reserveonderdelen

Op verzoek is een lijst met reserveonderdelen beschikbaar.

Periodieke inspectie

Omvang van de periodieke inspectie

De periodieke inspectie is een visuele controle (vooral van de lastdragende structuur van de tillift en het tilmechanisme met bevestigingen, remmen, bedieningen, veiligheidsvoorzieningen en ondersteuningsvoorzieningen voor de gebruiker) volgens het Rapport voor periodieke inspectie van de Molift Partner 255. Ga hiervoor naar www.etac.com.



Als er sprake is van gevaar voor de veiligheid, moet de tillift onmiddellijk buiten gebruik worden gesteld en duidelijk worden gemarkeerd met "buiten werking". De tillift mag pas na reparatie opnieuw worden gebruikt

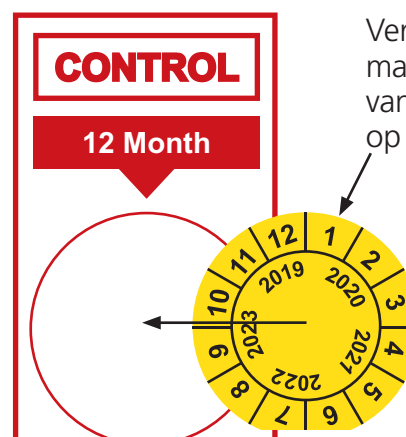
De periodieke inspectie moet één keer per jaar worden uitgevoerd of vaker indien verplicht volgens lokale voorschriften. Deze inspectie moet door servicepersoneel worden uitgevoerd dat door Etac is erkend.

Neem contact op met Etac via molift@etac.com voor training en autorisatie of aanbevelingen voor een goedgekeurde servicepartner.

Bij het uitvoeren van een periodieke inspectie moet de inspecteur het inspectierapport voor de Molift Partner 255 invullen. De rapporten dienen te worden bewaard door degene die verantwoor-

delijk is voor het onderhoud van de tillift. Indien naar aanleiding van deze inspectie defecten of schade worden vastgesteld, dient de eigenaar te worden

Na voltooiing van de periodieke inspectie moet de inspecteur de tillift voorzien van een sticker op het controlelabel, met daarop de datum van de periodieke inspectie, en een label (met een zescijferig ID-nummer van Etac of de distributeur) met vermelding van degene die de periodieke controle heeft uitgevoerd. Het controlelabel bevindt zich op de rechterkant van de accuhouder en hierop moet worden aangegeven wanneer de volgende inspectie moet worden uitgevoerd.



Vermeld de maand en het jaar van de inspectie op het label

Problemen oplossen

Probleem	Mogelijke oorzaak / oplossing
De tilkolom wiebelt	De tilkolom is niet goed in het onderstel geplaatst of de bout aan de voor- of achterkant is niet goed bevestigd. Monteer kolom en onderstel, en draai de schroeven goed aan.
De tillift beweegt schokkerig op een vlak oppervlak	De zwenkwielen bewegen schokkerig door pluizen en stof. Reinig de zwenkwielen. Verwijder haar en pluis.
De tilarm of verstelbare poten bewegen ongecontroleerd.	Kortsluiting tussen handbediening en tillift. Reinig het oppervlak van de stekker van de handbediening met alcohol om vet te verwijderen.
	Defecte handbediening. Vervang de handbediening.
	De regelektronica is defect. Neem contact op met uw plaatselijke vertegenwoordiger voor service.
De tillift reageert niet op de handbediening / De tilarm of poten bewegen niet.	De noodstopknop is geactiveerd. Draai de knop naar rechts om de noodstop te resetten.
	De accu is leeg. Vervang de accu of laad deze op.
	De elektronica van de tillift is oververhit. Wacht totdat deze is afgekoeld.
	De tillift is overbelast. Zorg ervoor dat de belasting de SWL niet overschrijdt.
	De handbediening is niet goed aangesloten. Sluit de handbediening goed aan. De handbediening, de stekker of het snoer kan defect zijn en moet worden vervangen.
	Er is geen contact tussen het onderstel en de kolom. De kolom is niet goed in het onderstel gemonteerd. Monteer kolom en onderstel op de juiste manier.
	Defecte regelektronica. Neem contact op met uw plaatselijke vertegenwoordiger voor service.
	Defecte accu. Controleer de lampjes op de lader tijdens het opladen. Probeer een andere accu.
De accu wordt niet opgeladen	Defecte acculader. Controleer de lampjes op de lader tijdens het opladen. Probeer een andere lader.

Dansk vejledning

Vigtigt

Denne brugervejledning indeholder vigtige sikkerhedsinstruktioner og oplysninger vedrørende anvendelse af personløfteren og tilbehøret.

I vejledningen er brugeren den person, der bliver løftet. Hjælperen er den person, der betjener personløfteren.



Advarsel!
Dette symbol angiver vigtige oplysninger angående sikkerhed. Følg disse instruktioner nøje.

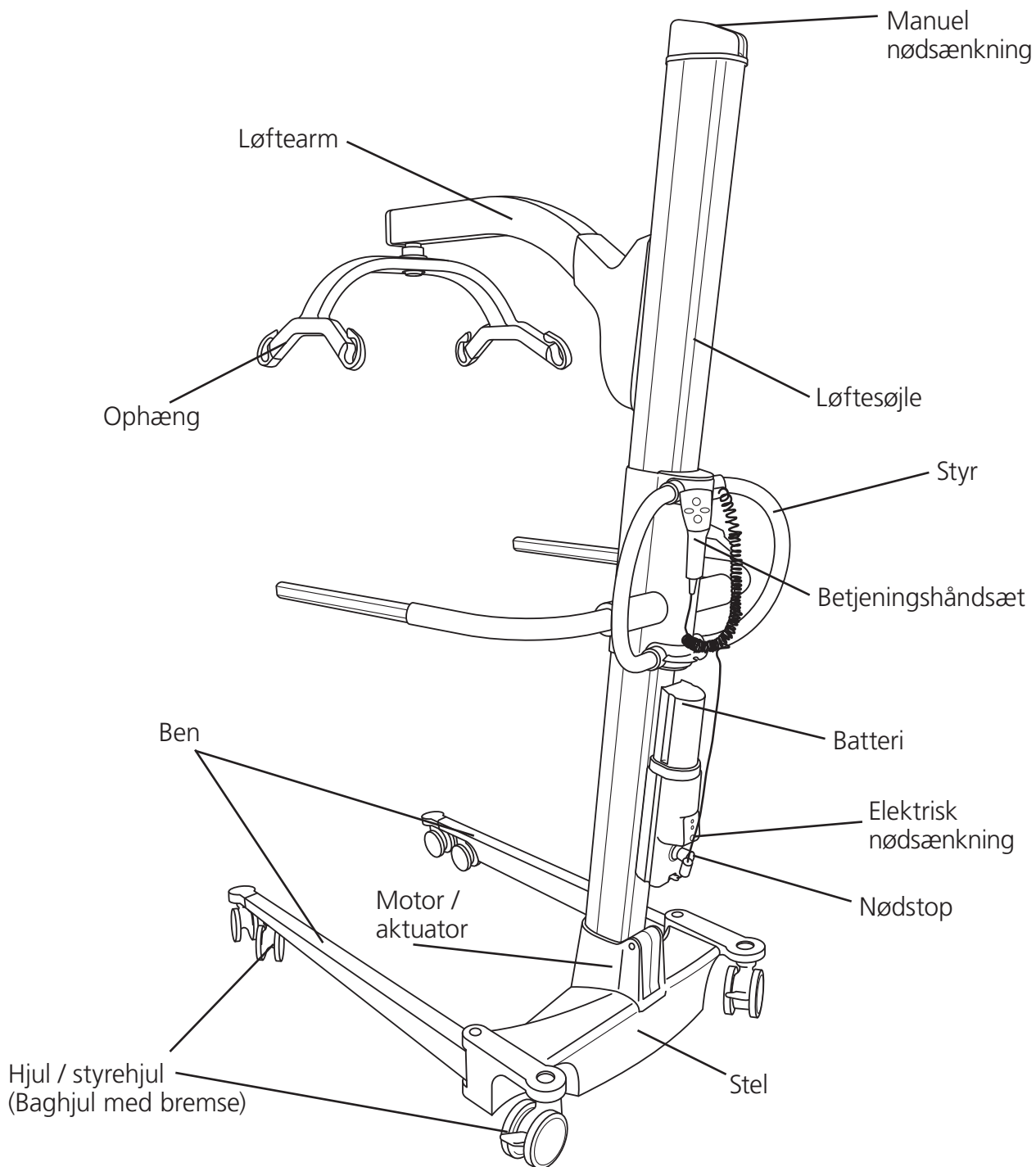


Læs brugervejledningen inden brug!
Det er vigtigt, at du fuldt ud forstår indholdet i brugervejledningen, før du forsøger at bruge udstyret.

Besøg www.etac.com for at downloade dokumentationen for at sikre, at du har den nyeste version.

Molift Partner 255

Personløfterens komponenter:



Om Molift Partner 255

Molift Partner 255 er en ideel hejseløsning til komplicerede situationer i afdelinger til akut og kritisk behandling både på hospitaler og i plejehjem. Med sin glimrende hejserækkevidde på 37-179 cm gør Molift Partner 255 det nemt at udføre hejsning både fra gulvet og fra høje overflader. Den lige, lodrette søjle i kombination med det faste ophæng giver fremragende stabilitet og

holder brugeren i god afstand fra søjlen. Med en samlet vægt på 42,5 kg er Molift Partner 255 en af de letteste løsninger i sin klasse. Kombineret med fremragende konstruktionsdesign og hjulløsning bliver den meget let at manøvrere med en sikker arbejdsbelastning på 255 kg. Udstyret med miljøvenligt NiMH-batteri.

Generelt



CE-erklæring

Produktet og det relaterede tilbehør, der er beskrevet i denne brugervejledning, er i overensstemmelse med forordning (EU) 2017/745 af 5. april 2017 - som medicinsk udstyr, risikoklasse I.

Produktet er testet og godkendt af en tredjepart i henhold til standarderne IEC 60601-1, IEC 60601-1-2 og EN/ISO 10535:2006.

Alle alvorlige hændelser, der opstår i forbindelse med udstyret, skal indberettes til producenten og den kompetente myndighed i brugerens og/eller patientens medlemsstat.

Betingelser for anvendelse

Der er altid en vis risiko ved løft og flytning af en person, og det er kun uddannet personale, som må anvende det udstyr og tilbehør, der er beskrevet i denne brugervejledning.

Modifikationer og anvendelse af komponenter fra andre producenter.

Vi anbefaler, at der udelukkende anvendes Molift-komponenter og -reservedele.

Overensstemmelseserklæringen vil ikke længere være gyldig, og Etacs garantiforpligtelse bortfalder, hvis der foretages nogen form for modifikationer på produktet. Etac er ikke ansvarlig for fejl eller uheld, som måtte opstå ved brug af komponenter fra andre producenter.



Kun certificeret personale må åbne løfteanordningen eller tilbehøret for at udføre service eller reparation. Der er risiko for personskade fra roterende dele og elektrisk stød.

Personløfteren er ikke beregnet til at blive betjent af den person, der bliver løftet.

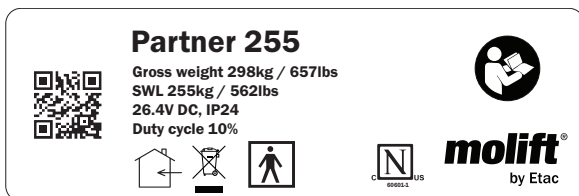
Garanti

To års garanti på fabrikations- og materialefejl på vores produkter. Et års garanti på batterier. Se www.etac.com for vilkår og betingelser.

Produktidentifikation

Produktmærkat

Produktmærkatens stregkode indeholder varenummer, serienummer og produktionsdato.



Type BF patientdel



Batterily



CE-mærket



Bemyndigede organs
mærke



Se brugervejledning



Producent



Kun til indendørs brug



Fremstillingsdato



Må ikke bortskaffes
med almindeligt affald



Katalognummer



Nødsænkning



Løbenummer



Servicelys



Medicinsk udstyr

Advarselmærkater og -symboler

Symboler, som bruges i produktet, beskrives her nærmere:

Tekniske data

Sikker arbejdsbelastning (SWL, Safe Working Load):

255 kg (562 lbs)

Enhedens vægt:

Ekskl. batteri og ophæng:

38.3 kg/84,4 lbs

Stel: 20 kg/44 lbs

Løftesøjle: 15 kg/33 lbs

Batteri: 1,6 kg/3,5 lbs

4-punkts mellemophæng: 3,5 kg/7.7 lbs

Batteri:

Art: 1341000

26.4 V NiMH 2.6 Ah

Batterioplader:

100-240 V AC, 50-60 Hz

0,9 A output

Løfthastighed:

42.9mm/second (1.69 inches/second)

with 75kg (165 lbs) load

Beskyttelsesklasse:

Betjeningshåndsat IP24

Løftemotor IP24

Maksimum A-vægtet lydstyrkeniveau:

$L_{WA} = 49,4$ dB

Knap til betjeningskraft

Knapper på håndsettet: 3.4 N

Materiale:

Aluminium, plastik, stål

Motor:

Løftemotor/aktuator: 24 V DC

Benspredningsmotor: 12 V DC

Drejediometer:

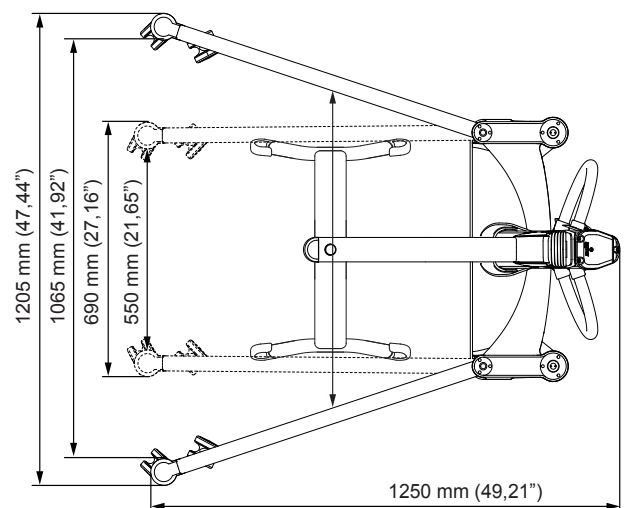
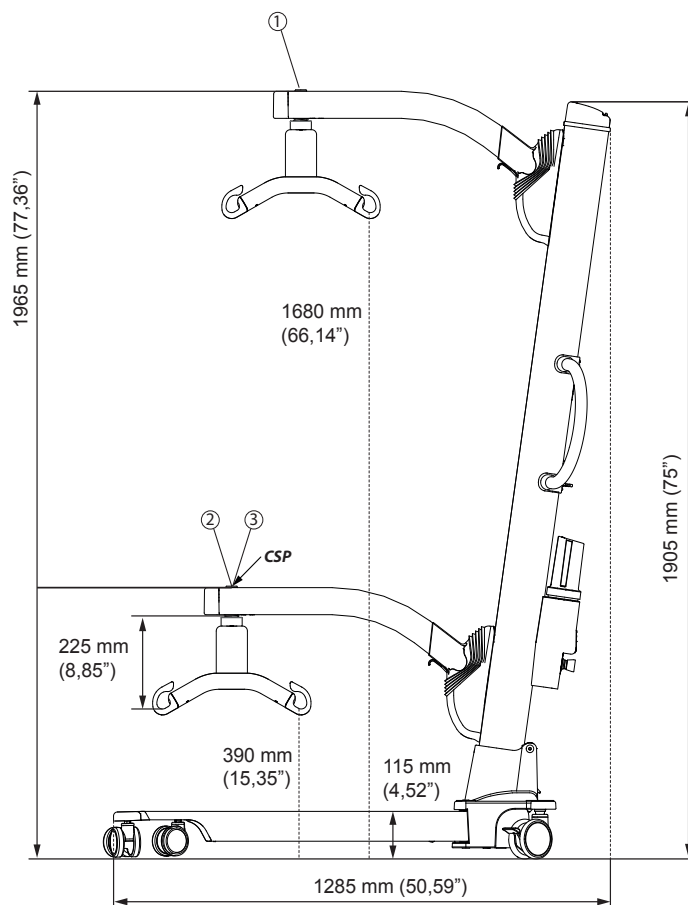
1400 mm (55.1 inches)

Antal løft med fuldt opladet batteri:

50 løft (75 kg / 165 lbs, 50 cm / 20 inches)

Forventet levetid:

Personløfteren har en forventet levetid på 30.000 løft ved sikker arbejdsbelastning eller 10 år.



① Highest position: 1965 mm (77,36")

② Max reach: 615 mm (24,2")

③ Lowest position: 615 mm (24,2")

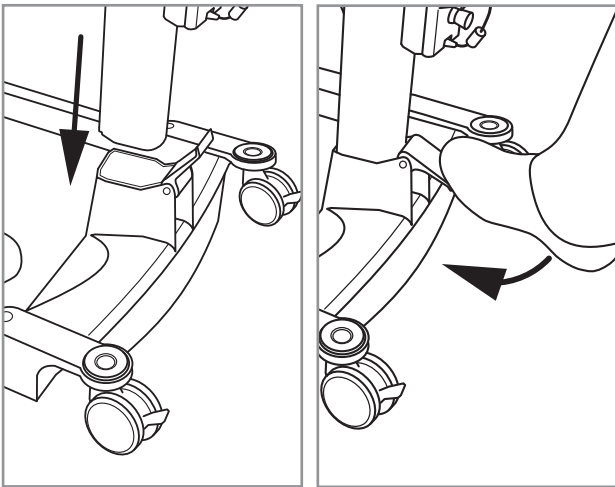
Samling

Oplad batteriet. Batteriet må ikke befinde sig i batteriholderen under samlingen!

Løftesøjle

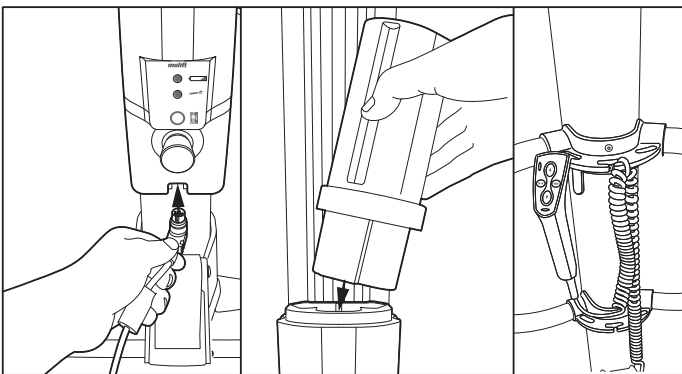
Anbring løftesøjlen på stellet. Sørg for, at den røde pil på den nederste del af søjlen passer med kanten på stellet.

Sørg for, at skruen i søjlen sidder i hullet i stellet. På denne måde forhindres det, at søjlen utilsigtet løftes ud af stellet, når låsehåndtaget trykkes ned.



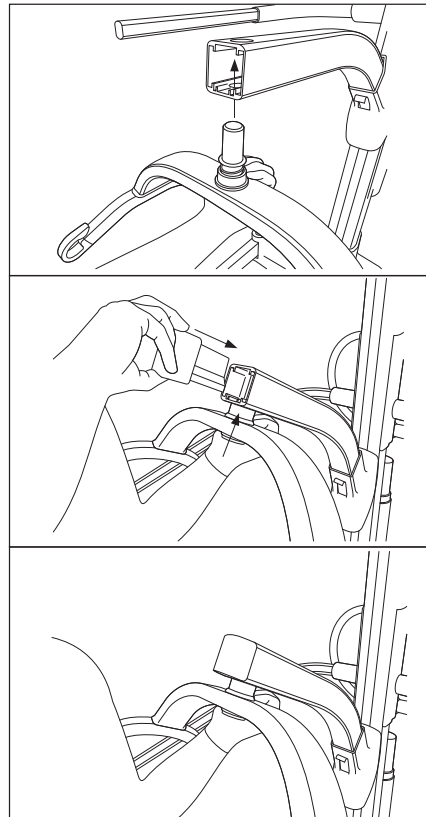
Fastgør søjlen ved at trykke låsehåndtaget på bagsiden hele vejen ned.

Batteri og betjeningshåndsat



1. Tilslut betjeningshåndsettet til bunden af batteriholderen.
2. Indsæt batteriet med terminalerne nedad.
3. Sæt betjeningshåndsettets ledning fast i styret, så den ikke falder på gulvet, hvis den tabes.

Montering af ophænget



1. Tryk ophængsbolten op og gennem løftearmen.
2. Sørg for, at bolten sidder korrekt, før plastkappen trykkes tilbage på armen.
3. Sørg for, at ophænget er korrekt fastgjort.

Tjekliste efter samling



Begynd ikke at anvende personløfteren, før du har gennemført kontrollen ved hjælp af tjeklisten efter samling.

Brug denne tjekliste til at bekræfte, at personløfteren er korrekt installeret og kan betjenes korrekt og sikkert, før den tages i brug.

- Kontrollér, at løftearmen, løftesøjlen og ophænget er korrekt fastgjort, og at der ikke er nogen løse dele på personløfteren.
- Kontrollér, at batterier er opladet (ingen lys på batterilamperne).
- Kontrollér, at personløfteren ikke har synlige skader eller andre fejl.
- Udfør ét løft med belastning (60-80 kg)

Sådan anvendes Molift Partner 255

Generelle sikkerhedsforanstaltninger

Brug kun tilbehør og sejl, der er justeret, så de passer til brugeren, typen af handicap, størrelsen, vægten og typen af flytning.

Forhold mellem arbejdspauser/driftsperiode.

Molift Partner 255 må ikke køre i mere end 2 minutter ad gangen (med maksimal belastning). Herefter skal der holdes en pause på mindst 18 minutter. Driftsperiode 10 %. (Intermittens iht. standarden ISO-EN 10535)

Sikker arbejdsbelastning (SWL)

Personløfteren er mærket med sikker arbejdsbelastning (SWL, Safe Working Load)



Hvis den maksimale belastning (SWL) på personløfterens ophæng og kropsstøtteenheden er forskellige, skal der altid bruges den laveste maksimale belastning



Molift-løftere må kun anvendes til løftning af personer. Anvend aldrig personløfteren til at løfte eller flytte nogen form for genstande.

Før brug / Dagligt eftersyn / Månedligt

Inspektion, som skal udføres dagligt eller før anvendelse:

- Kontrollér, at personløfteren ikke har synlige skader, fejl eller skævheder
- Kontrollér, at ophængets fastgørelse og alle dele, som kan afmonteres, er korrekt fastgjort og sikret
- Kontrollér, at batteriindikatoren ikke lyser, og at serviceindikatoren lyser grønt
- Kontrollér, at sejlstroppen ikke har synlige skader eller trevler.
- Kontrollér, at hjulene ruller frit, og at personløfteren er let at manøvrere med

Inspektion, som skal udføres månedligt:

- Testkør personløfterens driftsfunktioner, og kontrollér, at personløfteren ikke afgiver unormale lyde
- Test nødstopknappen og nødsænkningen

Hvis der er fejl eller defekter, skal personløfteren tages ud af drift og markeres med "i uorden".

Betjeningshåndsræt

Betjeningshåndsrættet har 4 knapper til løft og sænkning af løftearm og benspredningsmekanisme ind og ud.

Betjeningshåndsrættet har et indikatorlys, som tændes, når batteriniveauet er lavt, og personløfteren skal oplades

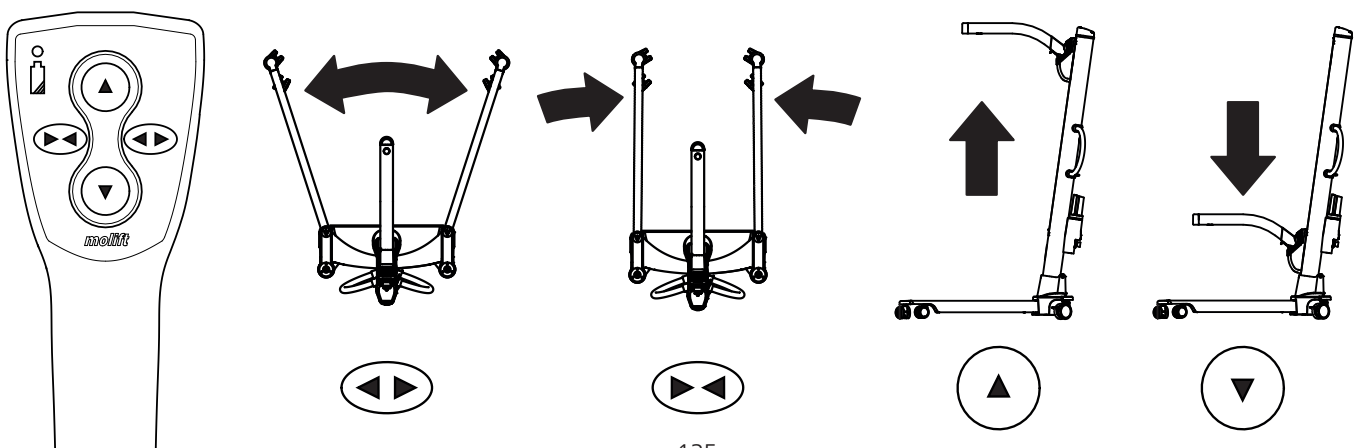
Betjeningshåndsrættets 4 knapper
Varenr.: 2018004

Løftearm - op / ned

NB! Personløfteren er mest ustabil i øverste position.

Ben - ind / ud

NB! Spredning af benene giver øget stabilitet og bedre adgang til stol eller toilet.



Sikkerhedsanordninger

Molift Partner 255 er udstyret med flere sikkerhedsanordninger, som har til formål at forebygge udstyrs- og personskaade i tilfælde af forkert brug.

Personløfteren har en overbelastningssensor, som forhindrer betjening af personløfteren, hvis belastningen overskrider SWL.

Løftearmen er hængslet for at forebygge, at brugeren kommer i klemme i armen eller ophængt. Aktuatorens vil ikke yde nogen kraft, når den bevæger sig nedad.

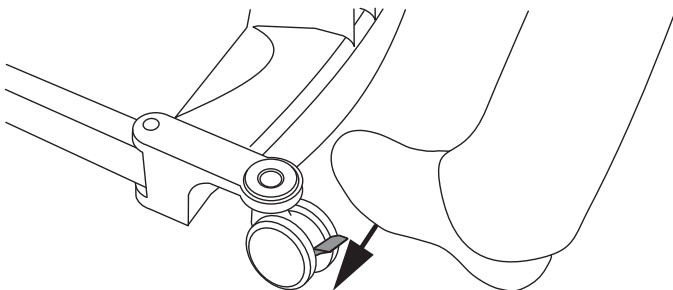
Elektronikken slås fra, hvis den overophedes. Vent med at bruge personløfteren igen, til den er kølet ned.

Styr

Brug styret til at flytte personløfteren.

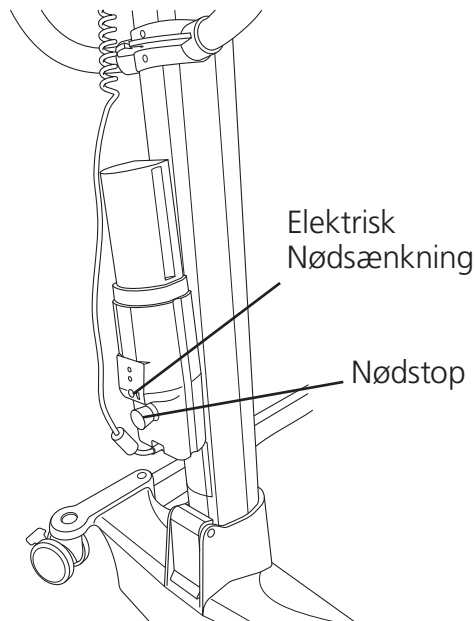
Personløfteren må kun anvendes til bevægelse over korte afstande. Den er ikke en erstatning for en kørestol eller lignende.

Bremser



De bageste hjul/styrehjul er forsynet med bremser. Træd på bremserne for at låse dem. Skub opad for at slippe dem.

Nødstop / nødsenkning



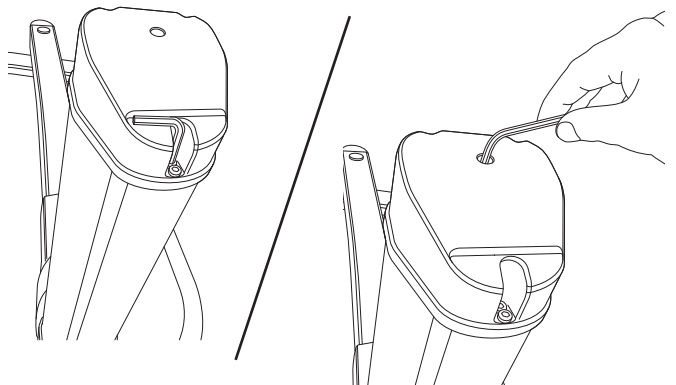
Nødstop

Nødstopknappen afbryder strømmen, når den trykkes ind. Drej den med uret for at nulstille den (kan betjenes, når den grønne ring er synlig).

Elektrisk nødsenkning

Tryk på knappen til elektrisk nødsenkning for at sænke løftearmen. Den elektriske nødsenkning-funktion virker ikke, når nødstop er aktiveret.

Manuel nødsenkning



Der er en unbrakonøgle på toppen af søjlen, der skal bruges i forbindelse med manuel sænkning. Skub unbrakonøglen gennem hullet i toppen af søjlen, og drej den, indtil patienten er sænket ned.

Husk at fjerne unbrakonøglen fra hullet umiddelbart efter sænkning.

Kontakt din Molift-servicepartner, hvis årsagen til den fejl, der forårsagede en nødsenkning, er ukendt, eller hvis fejlen opstod som følge af svigtende komponenter eller dele.

Elektronik

Transport- og driftsforhold

Transport og opbevaring

Ved længere tids opbevaring anbefales det, at nødstopknappen aktiveres (trykkes ind). Personløfteren kan opbevares og transporteres ved temperaturer mellem -25 - 70 °C.

Drift

Personløfteren er designet til anvendelse ved rumtemperatur (+5 til +40 °C).

Lufttryk: 70 - 106 kPa

Relativ fugtighed: 15 - 93 %

Efter opbevaring eller transport ved andre temperaturer skal personløfteren efterlades i et rum med en passende temperatur, indtil den får en sikker driftstemperatur.



Medicinsk elektrisk udstyr kræver særlige forholdsregler angående elektromagnetisk kompatibilitet (EMC). Bærbart eller mobilt radiokommunikationsudstyr kan påvirke det medicinske elektriske udstyr og skal holdes på mindst 25 cm (10 tommer) afstand fra personløfterens elektronik.

Batteri

Molift Partner 255 er forsynet med et 26,4 V 2,6Ah NiMH-batteri. Batteriet har en forventet levetid på ca. 500 opladninger.



Genoplad batteriet ved modtagelsen og derefter hver sjette måned for at undgå batterisvigt.



Brugte batterier skal bortskaffes som særligt affald iht. lokal lovgivning og lokale regler. Må ikke bortskaffes med almindeligt affald



Batterier skal oplades helt og aflades fuldstændigt et par gange, før der opnås fuld kapacitet. Følg også denne procedure, hvis personløfteren ikke har været anvendt i en længere periode (4 uger eller mere)

Batteri- og serviceindikator (LED)

Personløfteren har to indikatorlys på batteriholderen.

	Serviceindikator
	Batteriindikator

Det elektriske system har en strømsparefunktion, som slukker det elektriske system efter ti minutter uden aktivitet. Alle lamper slukkes. Systemet aktiveres ved at trykke på en af betjeningsknapperne

Batteriindikator (LED)

Batteriindikatoren (LED) tændes og udsender en lyd, når batteriet er ved at løbe tør for strøm, og personløfteren skal lades op. Når dette sker, har personløfteren tilstrækkelig strøm til ét løft med maksimal belastning. Når batteriet er næsten løbet tør for strøm, er det kun muligt at sænke løftearmen.

Serviceindikator

Personløfterens elektronik registrerer de løftede belastninger og antallet af løft. Efter en vis driftsperiode afgives der et signal for at angive, at service er påkrævet.

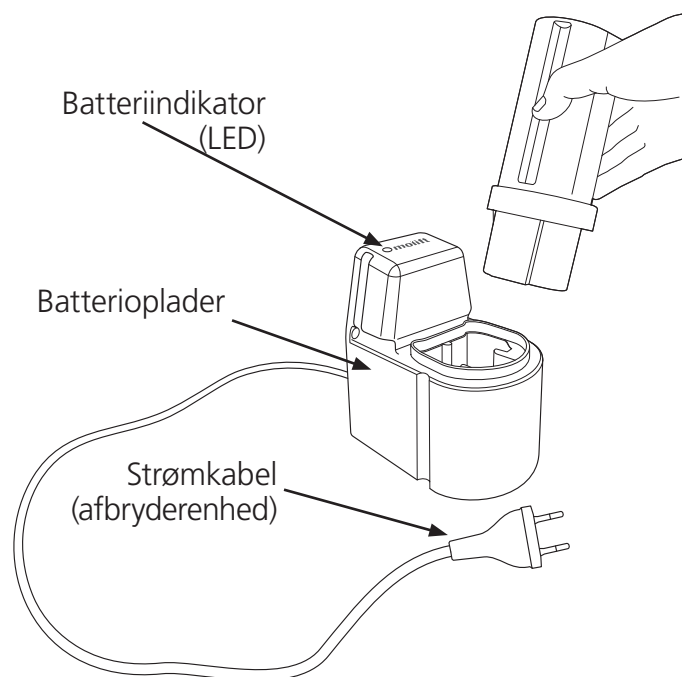
Serviceindikator	Tilstand
Intet lys	Strømbesparelse (standby)
Grøn	Klar til brug
Gul	Bestil service
Rød	Udfør service
Rød + lyd	Udfør service øjeblikkeligt

Omfang af service

Service omfatter udskiftning af løftmotoren og inspektion/udskiftning af slidte dele. Dette skal udføres af autoriseret personale.

Service er nødvendig, når serviceindikatoren lyser rødt (beregnet 10.000 løft i vægklasse 4 (SWL)).

Opladning



Batterioplader

Batteriopladeren kan anvendes på en bordoverflade eller monteres på en lodret vægoverflade tæt på en stikkontakt, mindst 120 cm over gulvet. Opladeren skal anvendes uden for patientmiljøet. Opladeren skal anbringes eller installeres på en måde, der giver uhindret adgang til afbrydelse af netledningen. Pas på ikke at beskadige netledningen. Opladeren kan forblive tilsluttet til strømodtaget.

Batterioplader 12-24V

Varenr.: 1340100

Battery PowerPac 26,4 V NiMH

Varenr.: 1341000

Opladerindikator

Beskrivelse af batteriindikatoren (LED):

LED	Tilstand
Gul	Klar til brug, intet batteri tilsluttet
Gul	Initialisering
Rød	Hurtig opladning
Grøn/gul	Afslut opladning
Grøn	Langsom opladning
Rød/grøn	Fejl

Flytning

Planlæg løfteoperationen på forhånd for at sikre, at den foregår så sikkert og ubesværet som muligt. Husk at arbejde ergonomisk korrekt. Vurdér risiciene, og tag notater. Hjælperen er ansvarlig for brugerens sikkerhed.

Molift Partner 255 kan bruges med 4-punktsophæng til forskellige typer forflytninger; siddende, liggende eller ambulantly.

Brug af sejl

Det er vigtigt, at sejlet er blevet afprøvet på den enkelte bruger og til den tilsigtede løftesituation.



Læs brugervejledningen, før du bruger sejlet.



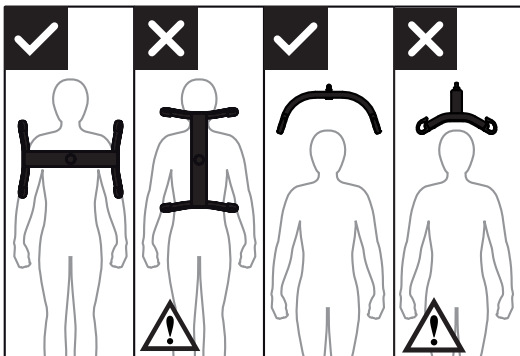
Brug ikke ødelagte eller nedslidte sejl.

Sejl fremstillet af andre producenter

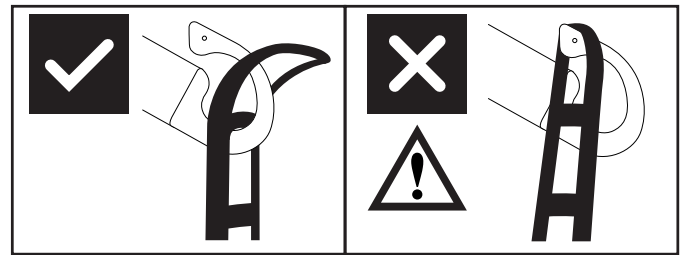
Vi anbefaler, at der kun bruges Molift-sejl. Etac er ikke ansvarlig for fejl eller uheld, som måtte opstå ved brug af sejl fra andre producenter.

Løfte og sænke

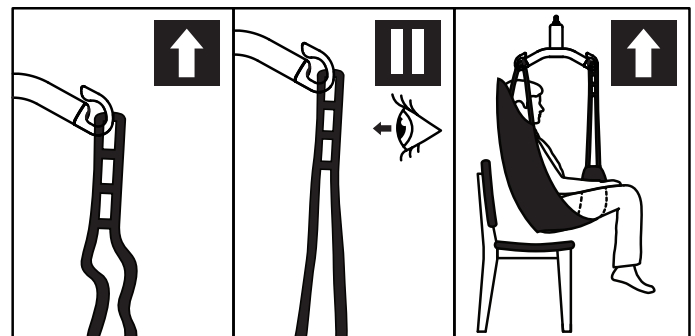
Når du flytter brugeren, skal du stå ved siden af den person, du løfter. Sørg for, at arme og ben ikke kommer i vejen for sæde, seng osv. Bevar øjenkontakten med brugeren, så vedkommende føler sig sikker.



4-punktsophænget skal altid anbringes på tværs af brugeren for at forhindre, at brugeren ved et uheld glider ud af sejlet.



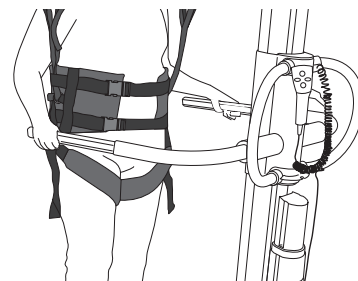
Udformningen af ophængets kroge forhindrer, at sejlet ved en fejl går løs, når det er monteret korrekt.



1. Kontrollér, at sejlet er tilpasset korrekt omkring brugeren, og at stropløkkerne er korrekt anbragt på ophængskroge.
2. Stræk sejlstropperne uden at løfte brugeren. Kontrollér, at alle fire løkker på sejlet er fastgjort korrekt, så brugeren ikke glider eller falder ud.
3. Løft brugeren, og udfør flytningen.

Støttearme (ekstratilbehør)

Personløfteren kan ved hjælp af støttearme også bruges til gangtræning.



Personløfteren kan leveres med støttearme, eller en komplet løftesøjle med støttearme kan leveres som ekstratilbehør som erstatning for den oprindelige løftesøjle.

Søjle med støttearme
Varenr.: 1511002

Flytning



Forsøg at placere brugeren så lavt som muligt (helst med fødderne hvilende på stellet), når personløfteren flyttes med brugeren i den. På denne måde er tyngdepunktet lavt og risikoen for ustabilitet mindre.



Løft aldrig brugeren højere end det, der er nødvendigt for at kunne udføre løftet. Husk, at hjulene på en mobil personløfter IKKE må låses.



Efterlad aldrig en bruger uden opsyn i en løftesituation.

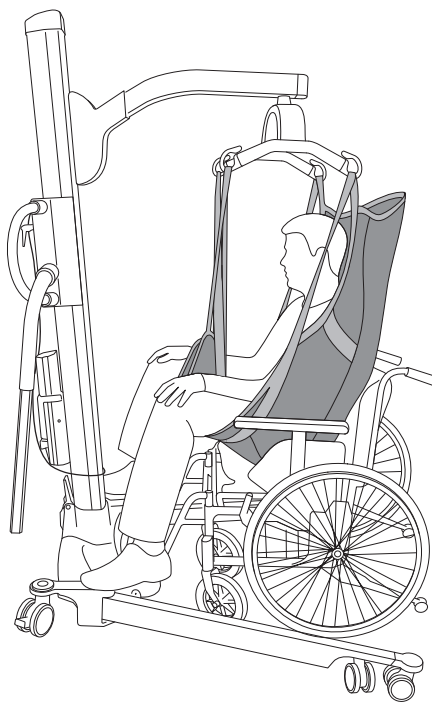
Vær forsigtig under flytningen, da brugeren kan svinge ved drejninger, stop og start. Vær forsigtig ved manøvrering tæt på møbler for at forhindre, at brugeren støder ind i noget.



Personløfteren må ikke anvendes til at løfte eller flytte brugere på skrånede flader.

Undgå tæpper med lang luv, høje dørtrin, ujævne overflader eller andre forhindringer, der kan blokere hjulene. Personløfteren kan blive ustabil, hvis den tvinges hen over sådanne hindringer, hvilket øger risikoen for, at den vælter.

Nedsenkning til siddende stilling



Når brugeren overføres til siddende stilling, kan følgende teknikker anvendes, når brugeren sænkes så langt tilbage i sædet som muligt:

- A Placér brugeren ved hjælp af styret
- B Skub forsigtigt på brugerens knæ
- C Vip sædet tilbage



Brugeren skal vende hen mod løfteren ved løft eller sænkning fra eller til en stol.



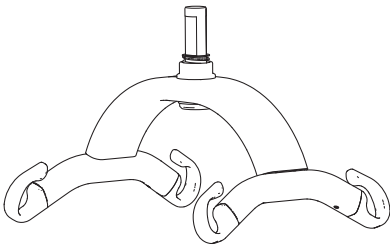
Tilbehør

Anbefalet ekstraudstyr og tilbehør til Molift Partner 255.

Ophæng

Molift Partner 255 kan anvendes med 4-punkts- eller 8-punktsophæng.

Aluminiumsophæng



4-punkts mellem, aluminium, 450 mm,
Varenr.: 1330060

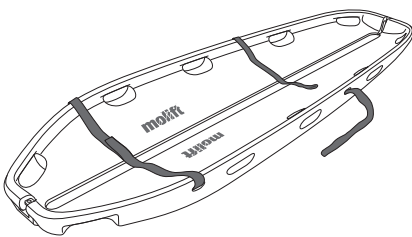
4-punkts stor, aluminium, 550 mm,
Varenr.: 1330061

4-punkts XL, aluminium, 650 mm,
Varenr.: 1330062

8-punkts stor, aluminium, 1.430 mm,
Varenr.: 2140002

Båre

Molift-båren kan anvendes sammen med alle 4-punktsophæng til Molift.



Scoop-båre MRI-kompatibel (SWL 300 kg)
Varenr.: 2150108

Vægt

Molift-vægten er en godkendt klasse III-vægt. Vægten kan også beregne BMI (Body Mass Index).

Molift-vægtsæt (uden ophæng)
Varenr.: 1331002

Sejl

Etac leverer et bredt udvalg af sejl til forskellige flytningstyper. Etac Molift RgoSling serien er konstrueret til at blive kombineret med et 4-punktsophæng (kan også benyttes med et 2-punktsophæng). Etac EvoSling serien er konstrueret til at blive kombineret med et 2-punktsophæng. Kombinationslisten med den korrekte kombination af sejl og ophæng vises i brugervejledningen til sejl. Sejlserien leveres i størrelserne XXS – XXL, i polyester og polyesternet.

RgoSlings:

RgoSling Mediumback Padded (XS-XXL)
RgoSling Highback Padded (XS-XXL)
RgoSling Mediumback Net (XXS-XXL)
RgoSling Highback Net (XXS-XXL)
RgoSling Toilet Lowback (XXS-XXL)
RgoSling Toilet Highback (XXS-XXL)
RgoSling Ampu Mediumback (XXS-XXL)
RgoSling Ampu Highback (XXS-XXL)
RgoSling Ambulating Vest (XXS-XL)
RgoSling Comfort Highback (S-L)

Tilbehør:

RgoSling Extension Loops
RgoSling Ambulating Vest Groin strap (XXS-XL)

Vedligeholdelse

Rengøring og desinfektion

Rengør personløfteren regelmæssigt. Rengør overfladerne med en fugtig klud med et pH-neutralt rengøringsmiddel. Brug ikke opløsningsmidler eller stærke væsker, da dette kan ødelægge personløfterens overflader. Til desinficering, når det er nødvendigt: brug isopropylalkohol. Undgå slibende rengøringsprodukter. Fjern hår og luv fra kørehjulene, og tjek, at kørehjulene roterer frit. Rengør kontaktsteder og håndtag med isopropylalkohol for at fjerne fedt og snavs. Kontrollér nødstop og nødsænkning efter rengøring. Personløfteren må ikke udsættes for rindende vand.



Kontrollér, at du ikke beskadiger eller fjerner mærkater under rengøringen.

Fornyelse

Følg rengørings- og samlingsproceduren, udfør regelmæssig inspektion, og brug tjeklisten efter samling for at holde personløfteren i god stand.

Genbrug

Vejledningen om genbrug viser, hvordan du bortskaffer produktet korrekt. Denne findes på www.etac.com.

Reservedele

Reservedelsliste fås ved henvendelse.

Periodisk inspektion

Omfang af periodisk inspektion

Periodisk inspektion er en visuel undersøgelse (især af personløfterens vægtbærende struktur og løftmekanisme med fastgørelser, bremses, kontroller, sikkerhedsenheder og personbærende enheder) iht. den regelmæssige inspektionsrapport for Molift Partner 255. Denne findes på www.etac.com.



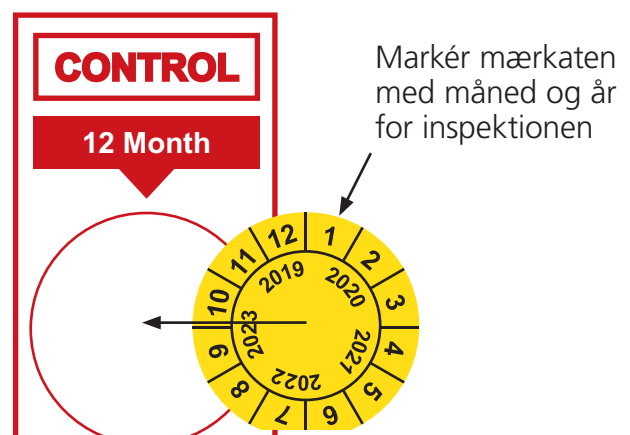
Hvis der er fare for sikkerheden, skal personløfteren øjeblikkeligt tages ud af drift, tydeligt mærkes med "i uorden" og må ikke anvendes, før personløfteren er repareret

Den periodiske inspektion skal udføres årligt eller hyppigere, hvis de lokale krav foreskriver det. Inspektionen skal udføres af servicepersonale, som er godkendt af Etac. Kontakt Etac på molift@etac.com for uddannelse og godkendelse eller anbefaling af en godkendt servicepartner.

Under den periodiske inspektion skal inspektøren udfylde en inspektionsrapport for Molift Partner 255. Rapporterne skal opbevares af den eller

de personer, som er ansvarlige for at servicere personløfteren. Hvis inspektionen afslører defekter og skader, skal ejeren underrettes.

Når den periodiske inspektion er afsluttet, skal inspektøren mærke personløfteren med et klistermærke på kontrolmærkaten, som viser datoen for, hvornår den periodiske inspektion blev udført, og en mærkat (med 6-cifret id fra Etac eller distributør), som viser, hvem der har udført den periodiske kontrol. Kontrolmærkaten findes på højre side af batteriholderen, og den vil angive datoen for, hvornår næste inspektion skal udføres.



Fejlfinding

Symptom	Mulig årsag / udbedring
Løftesøjlen er leddeløs.	Løftesøjlen er ikke placeret korrekt i stellet, eller låsegrebet er ikke helt låst. Saml søjlen og stellet korrekt.
Personløfteren bevæger sig ujævnt på et plant underlag	Styrehjulene bevæger sig ujævnt på grund af fnuller og støv. Rens styrehjulene. Fjern hår og snavs.
Løftearmen eller de indstillelige ben bevæger sig ukontrolleret.	Kortslutning mellem betjeningshåndsættet og personløfteren. Rens overfladen på betjeningshåndsættets stik med sprit for at fjerne fedt.
	Defekt betjeningshåndsæt. Udskift betjeningshåndsættet.
	Fejl i den elektroniske styring. Kontakt den lokale repræsentant for service.
Personløfteren reagerer ikke på betjeningshåndsættets handling / løftearmen eller benene bevæger sig ikke.	Nødstopknappen er aktiveret. Drej knappen med uret for at nulstille nødstop.
	Batteriet er fladt. Udskift eller oplad batteriet.
	Personløfterens elektronik er overophedet. Vent, til den er kølet ned.
	Personløfteren er overbelastet. Kontrollér, at belastningen ikke overstiger SWL.
	Betjeningshåndsættet er ikke tilsluttet korrekt. Tilslut betjeningshåndsættet korrekt. Betjeningshåndsættet, stikket eller ledningen kan være i stykker og skal udskiftes.
	Der er ingen forbindelse mellem stellet og søjlen. Søjlen er ikke monteret korrekt i stellet. Saml søjlen og stellet korrekt.
	Den elektroniske styring er defekt. Kontakt den lokale repræsentant for service.
Batteriet lades ikke op	Defekt batteri. Kontrollér indikatorerne på opladeren under opladningen. Prøv med et andet batteri.
	Defekt batterioplader. Kontrollér indikatorerne på opladeren under opladningen. Prøv med en anden oplader.



Etac A/S
Parallevej 3
DK-8751 Gedved
www.etac.com

molift[®]
by Etac