

ENSURE THESE INSTRUCTIONS ARE FULLY READ AND UNDERSTOOD BEFORE USE.

PLEASE KEEP IN A SAFE PLACE FOR FUTURE REFERENCE.

HEALTH AND SOCIAL SERVICES

THESE INSTRUCTIONS SHOULD BE LEFT WITH THE USER OF THE LOCOMOTOR KELLY STAND TO CONSULT AS REQUIRED.

CONTENTS

PACKING LIST
TECHNICAL SPECIFICATION
APPROVED SLING LIST
SPARE PART LIST

Always charge battery when not in use.

BEFORE USE READ 1.3 NOW



Select Healthcare (UK) Ltd
Unit 2 Albert Road
Rushden
Northants

NN10 0BU Tel: 01933 411729 Fax: 01933 410213

Designed and Developed by: Proto Magic Innovations Ltd Page 1 ISSUE 4 KELLY STAND INSTRUCTIONS 07 23/02/2010

PACKING LIST

All fully assembled KELLY STANDS are tested and given a certificate, before being partially dismantled for packing in a strong purpose built carton, to ensure safe delivery of your KELLY STAND. Please retain the carton if possible.

Inside this carton you will find the following:

- A. **Battery (Item 1)**
- B. **Grey Hand Control (Item 3)**
- C. **Chassis Assembly (Item 4)**
- D. **Mast Assembly (Item 5)**
- E. **Charger (Item 7)**
- F. **Test Certificate ***
- G. **User Manual**

* The **TEST CERTIFICATE** is valid for **ONE** year and can be used for your insurance records. Once the first year has expired, the Locomotor KELLY STAND will require a new inspection and re-testing for the next year; you can arrange this through your supplier. In cases of any difficulty, please contact the manufacturer directly for the name and telephone number of your nearest service dealer.

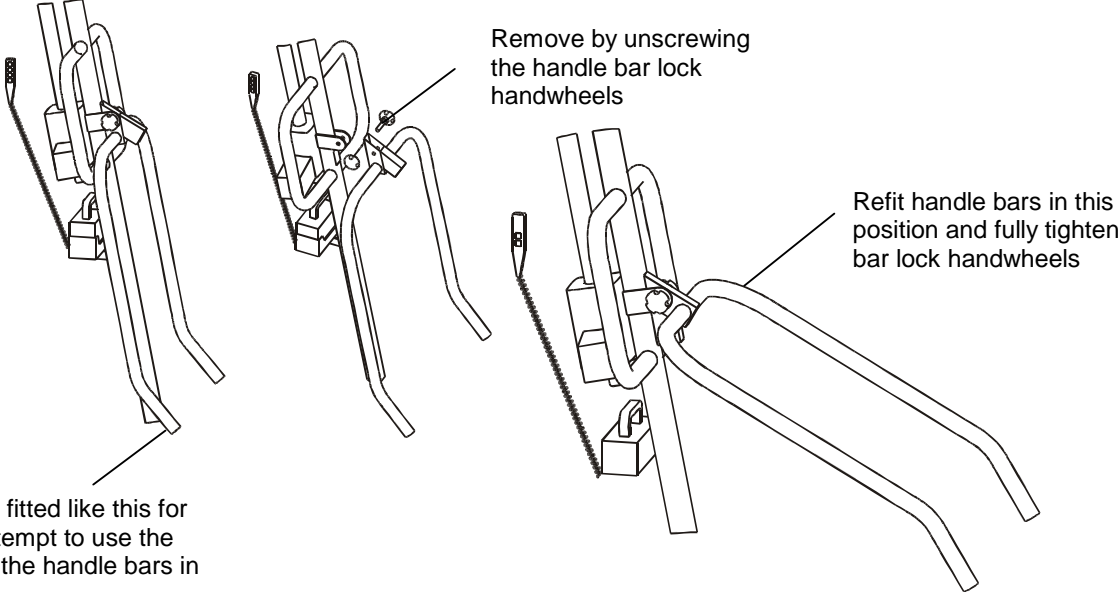
IMPORTANT LIFT STRAP MUST BE REPLACED ON EVERY SERVICE



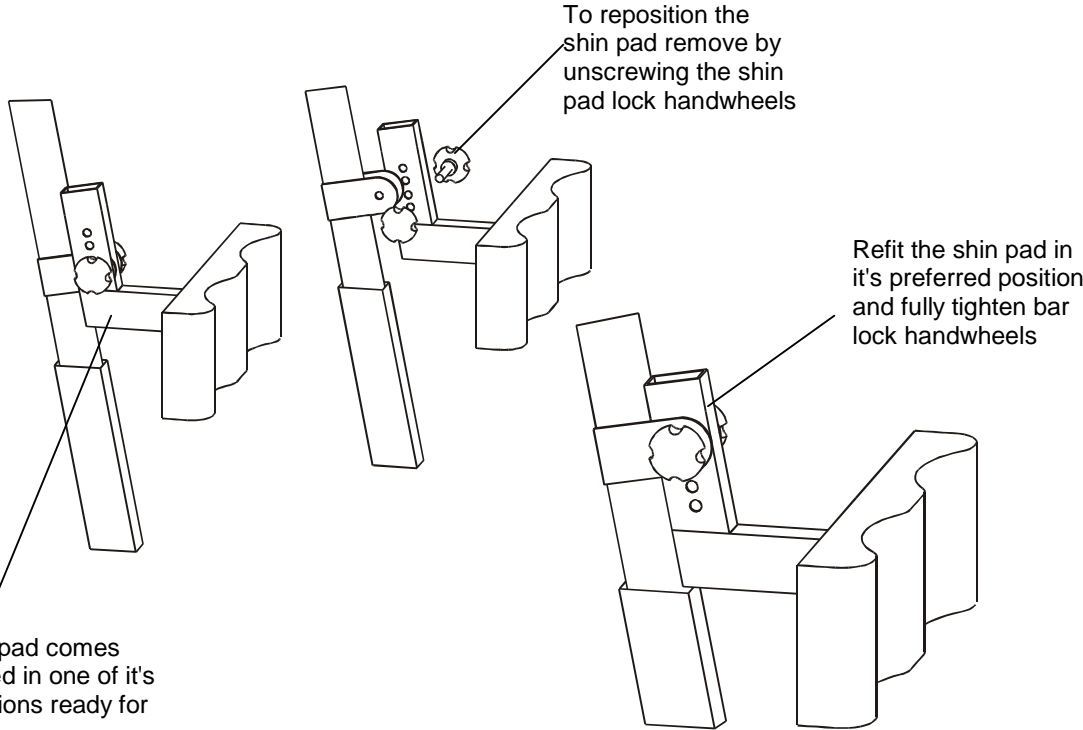
Select Healthcare (UK) Ltd
Unit 2 Albert Road
Rushden
Northants
NN10 0BU Tel: 01933 411729 Fax: 01933 410213

Designed and Developed by: Proto Magic Innovations Ltd Page 2 ISSUE 4 KELLY STAND INSTRUCTIONS 07 23/02/2010

Fitting and adjustment of Handle bars and Shin pad



Handle bars are fitted like this for transit do not attempt to use the Kelly stand with the handle bars in this position



The shin pad comes assembled in one of it's four positions ready for use



Select Healthcare (UK) Ltd
 Unit 2 Albert Road
 Rushden
 Northants
 NN10 0BU Tel: 01933 411729 Fax: 01933 410213

ELECTRICAL REQUIREMENTS

The following details are required for the battery charger that is supplied with the KELLY STAND:-

FOR APPLIANCES SUPPLIED WITH FITTED PLUG.

If the socket outlets in your home are not suitable for the plug supplied with your battery charger, it should be removed and the appropriate plug fitted. **NOTE:** The plug removed from the mains lead, if severed, must be destroyed as a plug with bared flexible cord is hazardous if engaged into a live socket outlet.

FITTING A PLUG

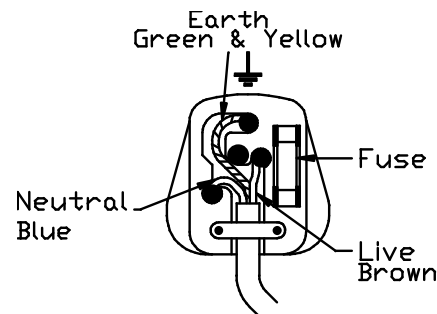
WARNING: THE CHARGER MUST BE EARTHED

WARNING: THE CHARGER MUST NOT BE USED IN A BATHROOM

IMPORTANT

The wires in the mains lead are coloured in accordance with the following code:

Green / Yellow	=	Earth
Blue	=	Neutral
Brown	=	Live



If you fit your own plug and the colours of the wires in the mains lead do not correspond with the markings identifying the terminals on your plug proceed as follows:-

The wire which is coloured Green and Yellow must be connected to the terminal in the plug marked E or with the earth symbol, or coloured Green or Green and Yellow. The wire which is coloured Brown must be connected to the terminal in the plug which is marked with the letter L or coloured Red. The wire coloured Blue must be connected to the terminal in the plug which is marked with the letter N or coloured Black.

Before connecting to the mains, check that the supply voltage is the same as that shown on the charger. A three pin plug must be used with a 3A fuse. If a BS1363 fused plug is used it should be fitted with a BS1362 3A fuse.

If your house supply has two pin sockets or you are in any doubt, consult a competent electrician.



Select Healthcare (UK) Ltd
Unit 2 Albert Road
Rushden
Northants

NN10 0BU Tel: 01933 411729 Fax: 01933 410213

Designed and Developed by: Proto Magic Innovations Ltd Page 4 ISSUE 4 KELLY STAND INSTRUCTIONS 07 23/02/2010

KELLY STAND

LOCO - 124 USER MANUAL Page5

1. Getting Started with your Locomotor KELLY STAND

- 1.1. Remove all items from the carton.
- 1.2. Identify the items and their quantities against the packing list.
- 1.3. Plug the battery charger (7) into a 13 amp mains socket and switch on. A green light will indicate mains input to the charger (8). Place battery (1) into the charger (7), the amber light (9) will indicate that battery is charging. When the battery is fully charged the amber light will go out.

2. Assembly of your Locomotor KELLY STAND (See diagram)

- 2.1. Place the base chassis (4) on a level floor.
- 2.2. Locate the mast assembly (5) onto the chassis spigot (10), then lock with the mast lock hand wheel (11).
- 2.3. Plug the lead for the powered leg opener (12) onto the leg actuator power socket (13) on the under side of the battery compartment(28).
- 2.4. Plug the lead for the lift actuator (18) onto the lift actuator power socket (6) on the back of the battery compartment (28).
- 2.5 Place a charged battery (1) in the battery compartment (28).
Connect the hand control (3) into the socket on the battery compartment(15).
- 2.6 The height of the shin pad can be adjusted using the hand wheels as shown on page # 3. if further adjustment is required then the shin pad can be removed from its attachment bracket by removing the two fixing screws and re attaching it higher or lower by using the alternative and offset fixing holes.
- 2.7 To dismantle for transportation, reverse the above procedure.



KELLY STAND

LOCO - 124 USER MANUAL Page6

3. Using the Locomotor KELLY STAND.

3.1. Leg Opening.

To open the legs of the Locomotor KELLY STAND press the leg open button (21) on the hand control (3) or (22) on the battery compartment(28). The legs can be set in any position depending on how long the button is held for. To close the legs press the leg close button (23) on the hand control (3) or (24) on the battery compartment(28). When the legs are either fully open or fully closed they will stop automatically.

3.2. Brakes.

The rear castors (25) are fitted with brakes which stop the Locomotor KELLY STAND from moving. To operate the brakes, press on the brake pedal(26), using the ball of the foot To unlock, push the brake pedal upwards (26).

3.3. Selecting a Sling.

The Locomotor KELLY STAND can used with several slings (see approved sling list); please take care to select the best sling for the client's need.

3.4 Standing.

Select a suitable sling, Assess the height of the patient in his or her chair and adjust the height of the attachment point (karabiner 27) using hand controller (3) . Adjust the width of the legs to fit round the clients chair using the leg opening button (21) on the hand controller(3) and position the KELLY STAND. Place the patients feet on the foot plate (14). Attach the sling to the karabiner (27), using the hand control (3) take up the weight by pressing the up button (16) on the hand control (3). Make sure the sling is correctly fitted, i.e. not twisted or the wrong length, and the client comfortable. Continue lifting until the client is clear of the chair.

The KELLY STAND can now be moved to the transfer point i.e. chair or commode. Keep all movements as smooth as possible to make the client feel safe and secure. The legs can be adjusted if necessary to pass though a doorway.

To place the client back in the chair reverse the procedure. The remote hand control allows the attendant to stand in a good position for repositioning the client in their chair.

Never move unnecessary distances with the client suspended.



Select Healthcare (UK) Ltd
Unit 2 Albert Road
Rushden
Northants
NN10 0BU Tel: 01933 411729 Fax: 01933 410213

Designed and Developed by: Proto Magic Innovations Ltd Page 6

KELLY STAND INSTRUCTIONS 07

KELLY STAND

LOCO - 124 USER MANUAL Page7

3.5. Moving the Locomotor KELLY STAND.

Always make sure the brakes are off, when moving the KELLY STAND. Try to pull the KELLY STAND (rather than push), either in a circular motion by pulling sideways on one handle, or backwards by pulling on both handles (37).

Never move unnecessary distances with the client suspended.



Select Healthcare (UK) Ltd
Unit 2 Albert Road
Rushden
Northants
NN10 0BU Tel: 01933 411729 Fax: 01933 410213

Designed and Developed by: Proto Magic Innovations Ltd Page 7

KELLY STAND INSTRUCTIONS 07

KELLY STAND

LOCO - 124 USER MANUAL Page8

4. Cleaning your Locomotor KELLY STAND.

- 4.1. Only use a non-abrasive cleaner or disinfectant on the surfaces on the Locomotor KELLY STAND. e.g. Isopropyl alcohol at 70% concentration.

5. Using your Locomotor KELLY STAND Batteries

- 5.1. The Locomotor KELLY STAND comes with one removable battery (1), which will give up to thirty average lifts, when fully charged. If you have a second battery please make sure one battery is on charge, at all times. Otherwise place the battery on charge after use.

6. Some Do's and Don'ts.

- 6.1. **DO** ensure that you have read these instructions and understood them fully, including the glossary of symbols in the back of the instruction manual.
- 6.2. **DO** ensure that you carry out an inspection of the Locomotor KELLY STAND on a regular basis.
- 6.3. **DO** make sure that when the KELLY STAND is not in use the battery is removed and placed on charge (1) in the charger (7).
- 6.4. **DON'T** let children play with the Locomotor KELLY STAND.
- 6.5. **DON'T** exceed the safe working load of a 203 kgs person (32 stones). There is an audible and visible warning device fitted, which will let you know if you have exceeded the weight limit. On hearing or seeing this the KELLY STAND will only allow you to lower the client, for you to reassess the situation. Doing this will re-set the overload condition.
- 6.6. **DON'T** allow the battery (1) to totally discharge, as this will drastically shorten the life of the battery (1). There is an audible and visible warning device fitted to the Locomotor KELLY STAND, this will bleep when you are lifting the client, as well as illuminate an indicator to let you know that the battery (1) level is low. On hearing the bleep finish the lift and change or charge the battery (1).



KELLY STAND

LOCO - 124 USER MANUAL Page9

7. Trouble Shooting.

IF KELLY STAND FAILS TO LIFT OR LOWER CHECK THE FOLLOWING:	YES	NO
a) Is the lift actuator's (18) power plug (35) plugged into the lift actuator power socket (6) ? If NO plug in power plug (35) to connect lift actuator (18). If YES GO TO (b).	0	0
b) Has emergency stop switch been activated? If YES pull out emergency switch (2) to reset. If NO GO TO (c).	0	0
c) Is battery (1) correctly located in the battery compartment(28)? If YES GO TO (d).	0	0
d) Are any of the indicator lamps (31,32,33,34) on the battery compartment(28) on? If YES GO TO (e). If NO then try a newly charged battery.	0	0
e) Is green battery OK lamp (31) on the battery compartment(28) on? If YES GO TO (j).	0	0
f) Is amber change battery lamp on (32) on the battery compartment(28) on? If YES charge battery (1) or replace with fully charged battery if NO GO TO (d).	0	0
g) Is KELLY STAND bleeping and red charge battery lamp on (33) on the battery compartment(28) on? If YES charge battery or replace with fully charged battery if NO GO TO (d).	0	0
h) Is KELLY STAND bleeping and red overload lamp (34) on the battery compartment(28) on? If YES press down button (19) on hand control (3) to reset then GO TO (l).	0	0
i) Is hand control (3) plugged in securely? To hand control socket (15) If YES GO TO (m).	0	0
k) Has the maximum or minimum height been reached? If NO GO TO (m).	0	0
l) Is sling caught on legs or other obstruction, or is client over safe working load of 203kg (32 stone). If YES clear obstruction or a use higher capacity lifter	0	0
m) If KELLY STAND is still not working, ☎CUSTOMER SERVICE ON (01933) 411729		



KELLY STAND
LOCO - 124 USER MANUAL Page10

IF KELLY STAND LEG OPENING WILL NOT WORK CHECK THE FOLLOWING	YES	NO
a) Is the leg actuator power plug (12) plugged into the leg actuator power socket on battery compartment (28) ? If NO plug in power plug (12) to connect leg actuator. GO TO (b).	0	0
b) Make sure legs are not obstructed GO TO (c).	0	0
c) Has emergency stop switch been activated? If YES pull out the emergency stop button (2) to reset. If NO GO TO (d).	0	0
d) Is battery (1) correctly located in the battery compartment(28)? If YES GO TO (e).	0	0
e) Are any of the indicator lamps (31,32,33,34) on the battery compartment(28) on? If YES GO TO (f). If NO then try a newly charged battery.	0	0
(f) Is green battery OK lamp (31) on the battery compartment(28) on? If YES GO TO (j)	0	0
(e) Is amber change battery lamp on (32) on the battery compartment(28) on? If YES charge battery or replace with fully charged battery GO TO (f).	0	0
f) Is KELLY STAND bleeping and red charge battery lamp on (33) on the battery compartment(28) on? If YES charge battery or replace with fully charged battery GO TO (f).	0	0
g) Is KELLY STAND bleeping and red overload lamp (34) on the battery compartment(28) on? If YES press down button (19) on hand control (3) to reset then GO TO (j).	0	0
h) Is hand control (3) plugged in securely? To hand control socket (15) If YES GO TO (m).	0	0
i) Are the legs fully open or closed? If NO GO TO (k).	0	0
j) Are the legs caught on an obstruction, or is client over safe working load of 203kg (32 stone). If YES clear obstruction or use a use higher capacity lifter if NO GO TO (k)	0	0
k) If leg opening still does not work, ☎ CUSTOMER SERVICE ON (01933) 411729		



Select Healthcare (UK) Ltd
 Unit 2 Albert Road
 Rushden
 Northants
 NN10 0BU Tel: 01933 411729 Fax: 01933 410213
 Designed and Developed by: Proto Magic Innovations Ltd Page 10

KELLY STAND
LOCO - 124 USER MANUAL Page11

CHARGER WILL NOT CHARGE

- a) Check green power on lamp (7) is on. If NO replace fuse in mains plug with 3 amp fuse. If YES GO TO (c), if NO GO TO (b). O O
- b) Check mains socket is switched on then try another mains socket. If YES GO TO (c), if NO GO TO (d). O O
- c) If amber charge light does not come on when battery is inserted GO TO (d). O O
- d) If charger is still not working, **☎ CUSTOMER SERVICE ON (01933) 411729**

IF YOU ARE IN ANY DOUBT PLEASE CONSULT CUSTOMER SERVICE ON (01933) 411729



Select Healthcare (UK) Ltd
Unit 2 Albert Road
Rushden
Northants
NN10 0BU Tel: 01933 411729 Fax: 01933 410213
Designed and Developed by: Proto Magic Innovations Ltd Page 11

KELLY STAND

LOCO - 124 USER MANUAL Page12

MAINTENANCE SCHEDULE

SLINGS *	Check the sling for any damage or wear, paying particular attention to the lifting straps, and the integrity of the stitching.
MAST ASSEMBLY (5) *	Check for any damage or distortion in the handlebar, also check the welded joints for any wear or tear.
CHASSIS/CASTORS (4, 38, 25) *	Check the castors are running freely and fixing bolts are secure. Check also for any damage or distortion in the chassis and again check the welds for any damage.
ACTUATOR (18) MOUNTING / ANTI CRUSH	Check the mounting at each end of the actuator. The push rod of the actuator automatically disconnects when an obstruction is met, check that the spreader bar lifts freely.
CHARGER (7) *	Check the mains cable and plug for any damage.
BATTERY (1) *	Check for damage to the casing, where the battery may have been dropped, paying particular attention to the integrity of the weld joints. Charge regularly follow the rule of putting the battery on charge after using the KELLY STAND and leaving it on charge when the KELLY STAND is not in use. DO NOT ALLOW BATTERY TO BECOME COMPLETELY DISCHARGED!
HAND CONTROL (3)	Check that all the buttons work correctly. Check that the cable exit is secure at the bottom of the control.
COVERS & PADS *	Check for any damage (i.e. holes, cuts, etc.).
CLEANING *	Use a non-scratch cleaning agent (e.g. Isopropyl alcohol at 70% concentration), avoid wetting any electrical parts.
LOAD TEST	This test is be undertaken only by an authorised service dealer; who will undertake the Load Test in accordance with the manufacturers test procedures.
CERTIFICATION	On a satisfactory completion of the KELLY STAND test procedure a TEST CERTIFICATE will be issued. YOUR INSURANCE COMPANY WILL INSIST ON THIS CERTIFICATE!

***BE VIGILANT! THESE CHECKS ONLY TAKE 2 MINUTES, SO DO THEM REGULARLY, IT IS IN BOTH YOUR CLIENTS INTEREST AND YOURS TO DO SO.**



Select Healthcare (UK) Ltd
 Unit 2 Albert Road
 Rushden
 Northants
 NN10 0BU Tel: 01933 411729 Fax: 01933 410213

Designed and Developed by: Proto Magic Innovations Ltd Page 12

KELLY STAND INSTRUCTIONS 07

KELLY STAND

LOCO - 124 USER MANUAL Page13

TECHNICAL SPECIFICATION

STANDARDS	BS5724 Class 2 (Electrical Components)	
SAFE WORKING LOAD	203Kg (32 Stones)	
TESTED CAPACITY	220 Kg	
MINIMUM INTERNAL WIDTH	554mm	21.8"
MINIMUM EXTERNAL WIDTH	605mm	23.8"
MAXIMUM INTERNAL WIDTH	900mm	35.4"
MAXIMUM EXTERNAL WIDTH	951mm	37.4"
MAXIMUM INTERNAL LENGTH	840mm	33.0"
MAXIMUM EXTERNAL LENGTH	1066mm	42.0"
STANDING RANGE	1200mm	47.3"
HEIGHT OF BASE	130mm	5.1"
MINIMUM CLEARANCE	25mm	1.0"
FRONT CASTOR DIAMETER	100mm	4.0"
FRONT CASTOR WIDTH	60mm	2.3"
REAR BRAKED CASTOR DIAMETER	100mm	4.0"
REAR BRAKED CASTOR WIDTH	60mm	2.3"
TURNING RADIUS	635mm	25.0"
WEIGHT OF CHASSIS SECTION	17.5Kg	38.5 lbs
WEIGHT OF MAST SECTION	18.0Kg	39.6 lbs
WEIGHT OF BATTERY	1.9 Kg	4.2 lbs
ELECTRICAL TECHNICAL SPECIFICATION		
24 VOLT PLUG IN ELECTRICAL POWER SOURCE TYPE B		
CHARGER OUTPUT VOLTAGE	27.5V DC 500 mA Max	
CHARGER INPUT VOLTAGE	220V - 240V 50 Hz	
PLUG TOP FUSE	1-5 Amp	
ELECTRIC SHOCK PROTECTION	Class II Internal power equipment	
DEGREE OF SHOCK PROTECTION	Type B	
MODE OF OPERATION	10% Intermittent duty	
BATTERY	24v DC Rechargeable sealed lead acid gel type	
BATTERY CAPACITY	2 AH	
<p>FULLY CHARGED NEW BATTERIES WILL OFFER UP TO 30 AVERAGE CYCLES, HOWEVER REGULAR CHARGING IS RECOMMENDED. "LOW BATTERY AUDIBLE WARNING DEVICE" FITTED. "OVERLOAD AUDIBLE WARNING DEVICE" FITTED. ACTUATOR IS FITTED WITH A SAFETY NUT AND ANTI CRUSH DISENGAGEMENT DEVICE AND MANUAL EMERGENCY LOWERING DEVICE .</p>		



Select Healthcare (UK) Ltd
Unit 2 Albert Road
Rushden
Northants

NN10 0BU Tel: 01933 411729 Fax: 01933 410213

Designed and Developed by: Proto Magic Innovations Ltd Page 13

KELLY STAND INSTRUCTIONS 07

KELLY STAND
LOCO - 124 USER MANUAL Page14

APPROVED SLING LIST Issue 1

<u>Product Code</u>	<u>Description</u>	<u>Size</u>
Loco-055	Locomotor Stander Sling	Small
Loco-056	Locomotor Stander Sling	Medium
Loco-057	Locomotor Stander Sling	Large
Loco-058	Locomotor Stander Sling	Extra Large

APPROVED SPARE PARTS LIST Mk2 Issue 1

<u>Product Code</u>	<u>Description</u>	<u>Size</u>
LOCO - 103	Battery	24V 2 Ah
LOCO - 104H	Grey Hand Control	
LOCO - 105	Charger	

APPROVED ACESSORIES Issue 1

<u>Product Code</u>	<u>Description</u>	<u>Size</u>
LOCO - 125	Spreader Bar	

If a different sling is required please contact customer services on ☎(01933) 411729

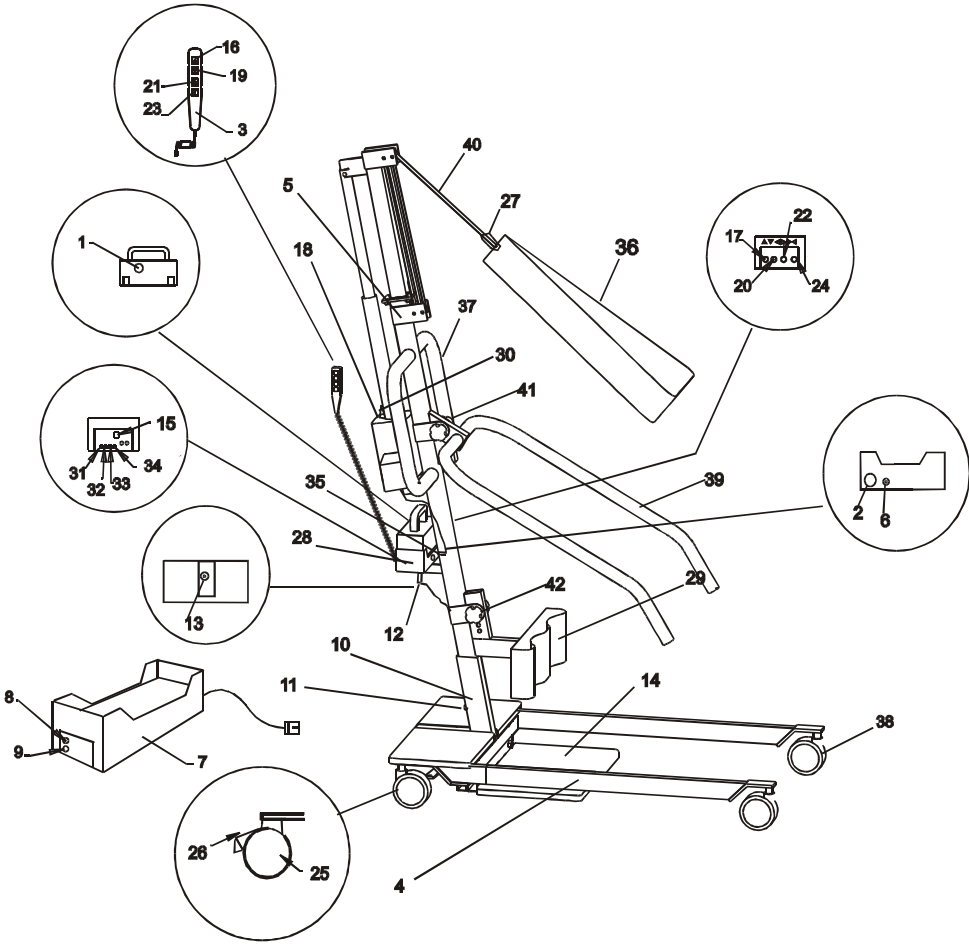


Select Healthcare (UK) Ltd
 Unit 2 Albert Road
 Rushden
 Northants
 NN10 0BU Tel: 01933 411729 Fax: 01933 410213
 Designed and Developed by: Proto Magic Innovations Ltd Page 14

KELLY STAND

LOCO - 124 USER MANUAL Page15

Diagram



- | | |
|--|---|
| <ul style="list-style-type: none"> 1 Battery 2 Emergency stop 3 Hand control 4 Chassis assembly 5 Mast assembly 6 Lift actuator power socket 7 Charger 8 Green power on L.E.D. 9 Amber battery charged L.E.D. 10 Chassis spigot 11 Mast lock Handwheel 12 Leg actuator lead and power plug 13 Leg actuator power socket 14 Foot plate 15 Hand control socket 16 Up button hand control 17 Up button lift controller 18 Lift actuator 19 Down button hand control 20 Down button lift controller 21 Legs open button hand control 22 Legs open button lift controller | <ul style="list-style-type: none"> 23 Legs close button hand control 24 Legs close button lift controller 25 Rear castors 26 Brake button 27 Carabiner 28 Battery compartment 29 Adjustable Shin pad 30 Emergency lowering lever 31 Green power on L.E.D. 32 Amber low battery warning L.E.D. 33 Red very low battery warning L.E.D. 34 Red over load warning L.E.D. 35 Lift actuator lead and power plug 36 Sling 37 Push pull handles. 38 Front castor 39 Handle bars 40 Flexible lift tape 41 Handle bar lock handwheels 42 Shin pad lock handwheels |
|--|---|



Select Healthcare (UK) Ltd
 Unit 2 Albert Road
 Rushden
 Northants
 NN10 0BU Tel: 01933 411729 Fax: 01933 410213
 Designed and Developed by: Proto Magic Innovations Ltd Page 15

KELLY STAND

LOCO - 124 USER MANUAL Page16

GLOSSARY



Attention consult accompanying documents before use.



Refer servicing to servicing personnel only.



Recyclable product.



Lead acid battery.



Do not dispose of in the bin.



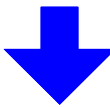
Do not dispose of in a fire.



Do not allow the Battery to get wet.



Up.



Down.



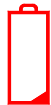
Lock.



Full battery.



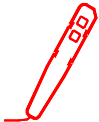
Low battery.



Flat battery.



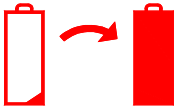
Overload - check weight and make sure sling is not trapped.



Hand controller socket.



Mains on.



Charging.



Alternating current.

Direct



current.

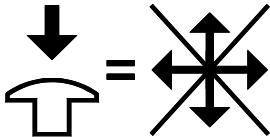


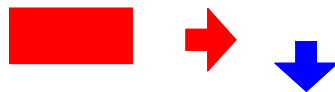
Unlock




GLOSSARY

 If sounder bleeps when lifting please change battery.

 Emergency stop.

 Emergency manual lowering release lever.

 Type B equipment (Protection against electric shock).

 CE.

